

BALDOR® • RELIANCE

Product Information Packet

BSM80C-150AF

BSM80C-150AF T'STAT, ENCODER

Specs			
Enclosure:	TENV		
Nameplate Speed:	6000		
Agency Approvals:	CE		
	CSA		
	TUV		
	UR		
	WEEE		
Base Indicator:	Bracket Mounted		
Dimensional Drawing Numbers:	S2LYP196		
Frame:	D100D		

Copyright © All product informati

Frame Material:	Exposed Laminations		
Motor Lead Quantity/Wire Size:	3 @ 18 AWG		
Mounting Arrangement:	F1		
Nameplate Output:	0.48KW		
Shaft Rotation:	Reversible		
Motor Standards:	IEC		

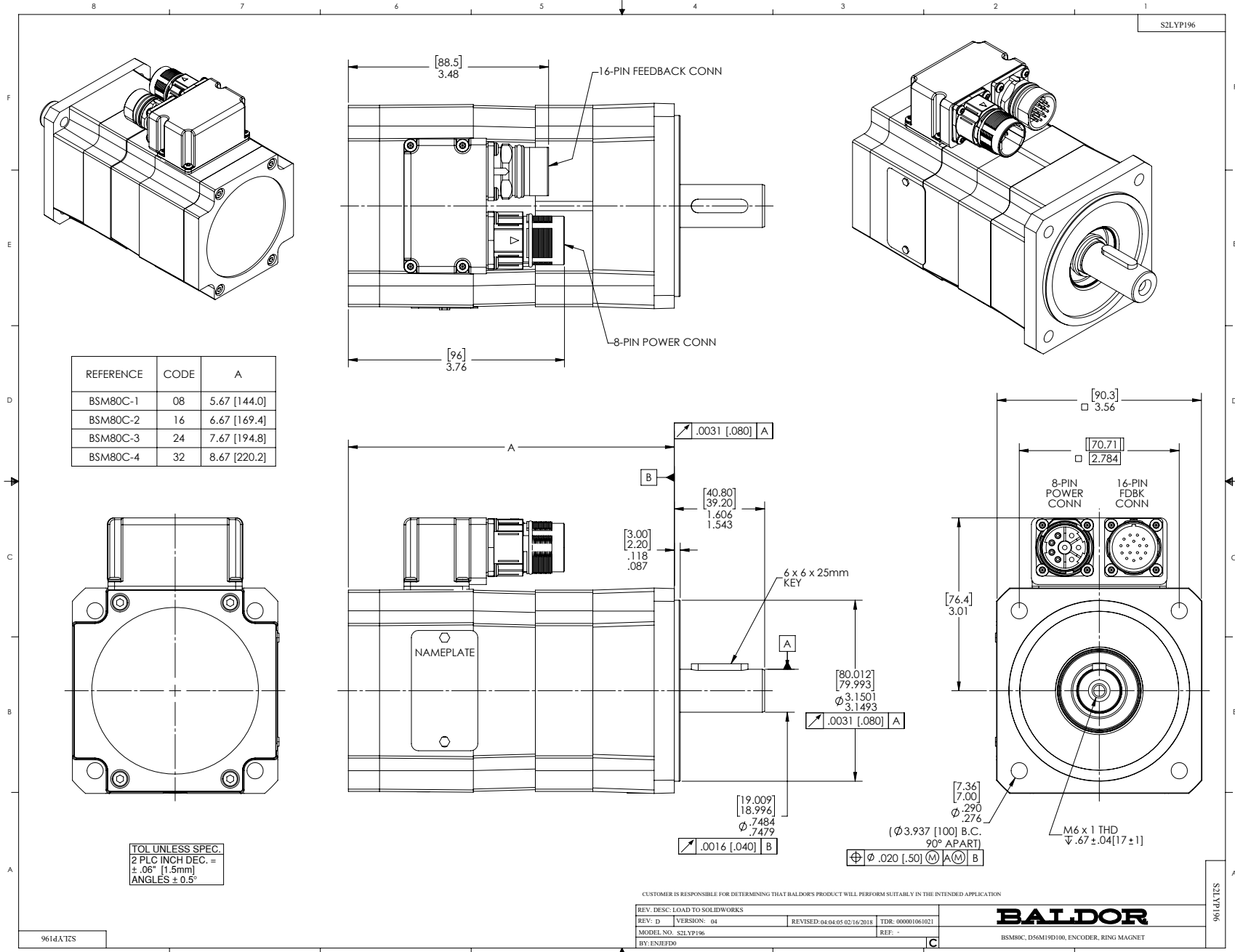
Nameplate NP2864L

CAT.NO.	BSM80C-150AF		
BLANK			
SPEC.	S2P196W052		
MFG.NO.			
TORQ CONT STALL	1.2 NM		
CUR CONT STALL/A RMS	2.75		
POWER	0.48KW		
RATED SPEED/RPM	6000		
RATED BUS VOLTS	300		
PEAK CUR/A RMS	7.03		
MAX SPEED/RPM	7000		
CLASS	F	AMB.	25
APRV-CE			

Parts List		
Part Number	Description	Quantity
SA110278	SA S2P196W052	1.000 EA
RA101699	RA S2P196W052	1.000 EA
WD1000A33	62307-2 AMP TERM,30K/REELREPLACING A19)3	4.000 EA
RM1020A10	O-RING, -041 BUNA-N, .070 CS X 2.989 ID	1.000 EA
HA4021A04	1/8 NPTF-HX SOC PIPE PLUG TAPER DRY SEAL	1.000 EA
HW5002A93	RET RING #NT002-145 BEVELED	1.000 EA
HW2512E109	KEY, 6 X 6 X 25MM ROUND ENDED	1.000 EA
HW5109A04	WASHER, SPLIT WAVE SPRING, FOR 32MM BORE	2.000 EA
S2EP3907A05	ENDPLATE, FR BRG, BSM80, ENCODER	1.000 EA
84YN0040J020	M4 X 20MM SHC SCREW	4.000 EA
HW1021A04	WASHER, M4 SPLIT LOCK	4.000 EA
RM1020A10	O-RING, -041 BUNA-N, .070 CS X 2.989 ID	1.000 EA
62YW0025A007	EPOXY LOCK SCREW,M2.5X7 TORX PAN HD TAPT	1.000 EA
84YN0040J014	4MM X 14MM SHCS	4.000 EA
S1GS1000	GASKET, 90 DEG ADAPTOR F/BSM MTRS	1.000 EA
GS1000A25	GASKET, METRIC CONNECTOR(CLOTH INSERTED	2.000 EA
S1CB3000A02	90 DEG ADAPTOR, METRIC CONNECTORS F/BSM	1.000 EA
99XM0356A02	STICK SCREW, #3-56 X .125 LG. HEX (MARK	2.000 EA
MG2000A17	RUST INHIBITOR PART # SRPO #20	0.001 GA
BG6904C03	6904/61904 D.SH,C3,POLYREX EM	1.000 EA
LD2200A08	CUT LEAD GREEN&YELLOW #18 8 INCH W/ RIN	1.000 EA
S2CB3502A08	COVER, FEEDBACK, OMIT LOGO, COOL GRAY	1.000 EA
WD5009A15	KIT-M23 MOTOR POWER CONN, 8-PIN	1.000 EA
62YW0025A007	EPOXY LOCK SCREW,M2.5X7 TORX PAN HD TAPT	12.000 EA

Parts List (continued)		
Part Number	Description	Quantity
MG1025L02	WILKOFAS, 776.06 TEXTURE (BSM) BLACK	0.002 QT
MG1025Z09	CATALYST #060.06 WILCO	0.002 QT
MG1500Y08	PRIMER-WILKOPON (603.08A)YELLOW PRIMER W	0.002 QT
MG1025Z08	WILKO 603.08B PRIMER REDUCER TDR# 72361	0.002 QT
OE0316A02	ENCODER, EPC, 2500L,4 POLE, 40MM BC	1.000 EA
LD6229A01	CABLE ASSY, FOR EPC ENCODERS	1.000 EA
84YN0030JE006	SHCS 3MM X 6MM CARBON STEEL W/EPOXY LOCK	2.000 EA
HW1021A03	WASHER, M3 SPLIT LOCK	2.000 EA
HW1020A03	WASHER, FLAT 3MM	2.000 EA
80YN0030JE004	SET SCREW, M3 X.5 X 4MM WITH DRY LOCK	2.000 EA
NP2864L	NAMEPLATE BSM80 ALUM, LASER ETCHED	1.000 EA
LB1417	LABEL CARTON 6X4 PERFORATED BLANK ROLLS	1.000 EA
25PA1008	PKG GRP, BSM 50, 63, & 80	1.000 EA
MS1240	BSM Motor Quick Start 1/16	1.000 EA
LB1534	MYLAR CE WARNING LABEL FOR SERVO MOTORS	1.000 EA

No performance data has been
assigned to this product.



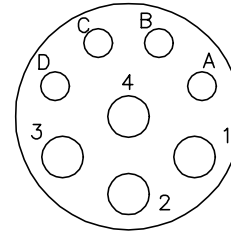
CD1297A04

MOTOR CONNECTIONS

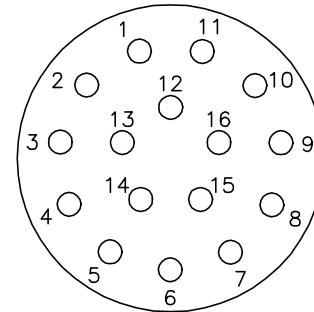
PIN	FUNCTION	INTERNAL WIRE COLOR
A	*THERMAL SWITCH	YELLOW
B	*THERMAL SWITCH	YELLOW
C	*BRAKE	BLACK
D	*BRAKE	BLACK
1	U	BLACK
2	GROUND	GREEN
3	W	BLUE
4	V	RED

*WHEN REQUIRED

PIN	FUNCTION	WIRE COLOR
1	DC+5V	RED/BLUE
2	GROUND	BLUE/RED
3	CHANNEL A	BLUE
4	CHANNEL \bar{A}	ORANGE
5	CHANNEL B	GREEN
6	CHANNEL \bar{B}	BROWN
7	CHANNEL Z	BLACK
8	CHANNEL \bar{Z}	YELLOW
9	OPEN	---
10	CHANNEL U	WHITE/BROWN
11	CHANNEL \bar{U}	BROWN/WHITE
12	CHANNEL V	WHITE/GRAY
13	CHANNEL \bar{V}	GRAY/WHITE
14	CHANNEL W	RED/ORANGE
15	CHANNEL \bar{W}	ORANGE/RED
16	OPEN	---



8 PIN MOTOR CONNECTOR
THREADED CRIMP PIN STYLE



16 PIN CONNECTOR
THREADED CRIMP PIN STYLE

16- #20 CONTACT SIZE
(CRIMP SIDE)

REV. DESC: NEW			
REV. LTR: -	BY: FN	REVISED: 13:58:58 03/24/2004	TDR: 328266
CD1297A04		FILE: AAA00115154	REF: CD1297A04
		MTL: -	

BALDOR ELECTRIC Co.

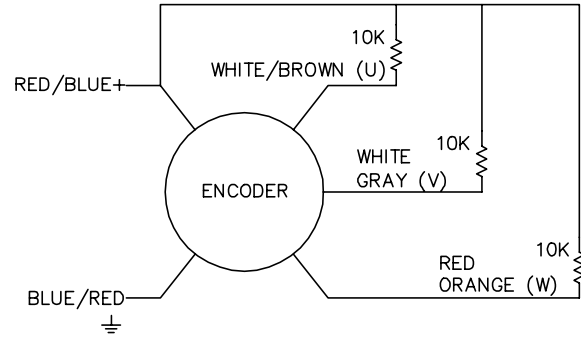
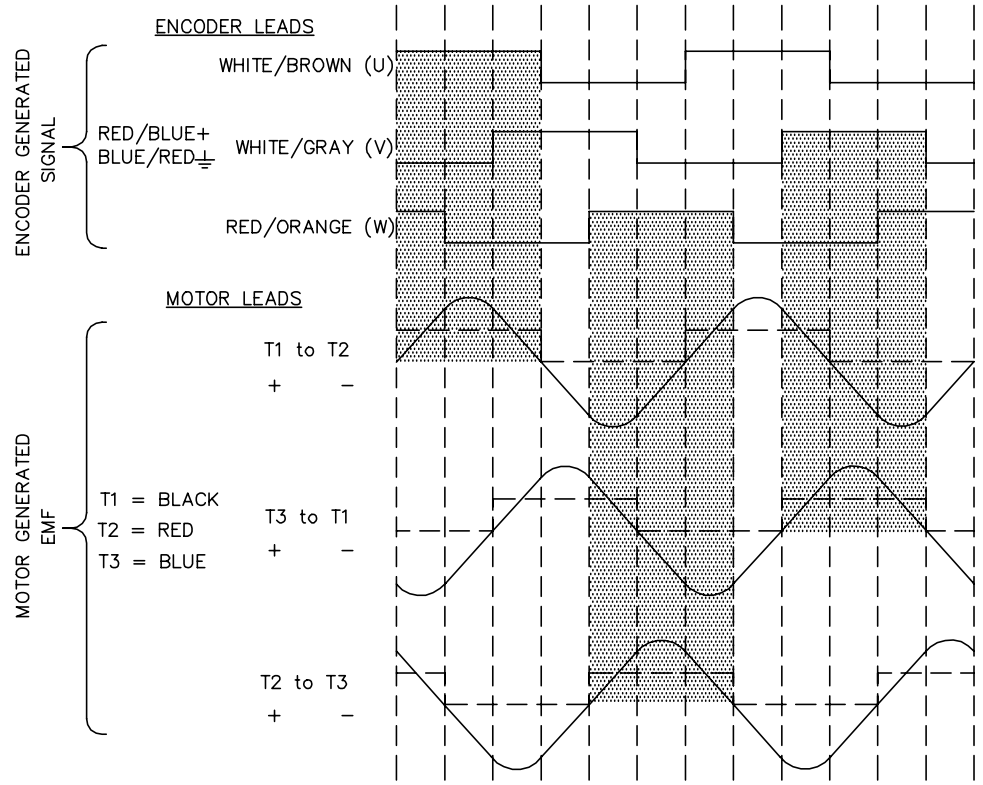
KOYO ENCODER (CHANNELS TO MATCH TMGW/SUMTAK OUTPUT)

CD1297A04

CD1338A01

BRUSHLESS D.C. COMMUTATION

8 POLE MECHANICAL DEGREES	0	15	30	45	60	75	90	105	120	135	150	165	180
4 POLE MECHANICAL DEGREES	0	30	60	90	120	150	180	210	240	270	300	330	360
ELECTRICAL DEGREES	0	60	120	180	240	300	360	420	480	540	600	660	720



NOTE:
CCW ROTATION VIEWING
MOTOR SHAFT END

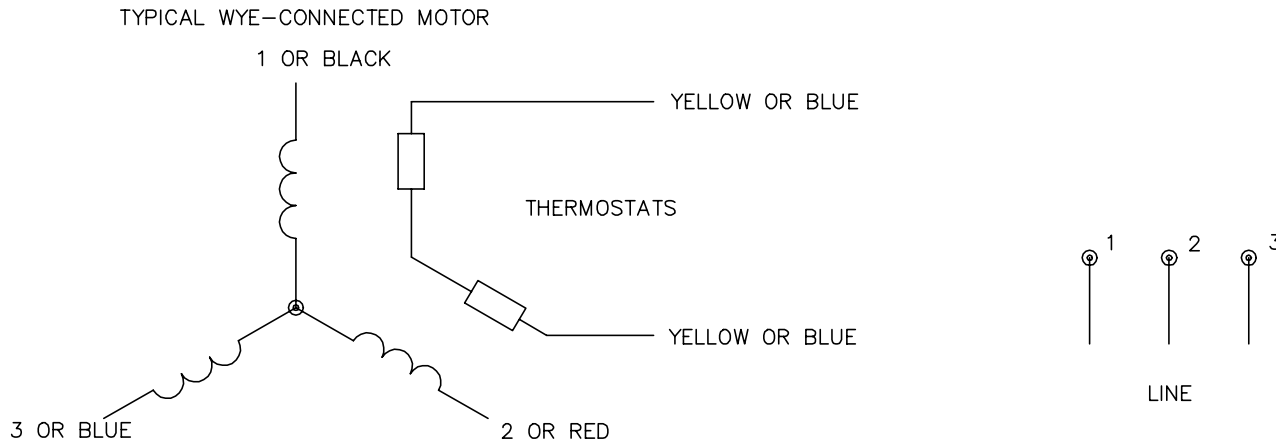
REV. DESC: NEW		REVISED: 11:22:25 03/24/2004		TDR: 328266
REV. LTR: -	BY: FN	FILE: AAA00115153	REF: CD1338A01	
CD1338A01		MTL: -		

BALDOR ELECTRIC Co.

BLDC COMMUTATION KOYO ENC.(CHANNELS TO MATCH TMGW/SUMTAK)

CD1338A01

CD0006A02



NOTES:

1. INTERCHANGE ANY TWO LINE LEADS TO REVERSE ROTATION.
2. ACTUAL NUMBER OF INTERNAL PARALLEL CIRCUITS MAY VARY.

REV. DESC: REMOVED "OPTIONAL" FROM PRINT, SERVO REQ'S T'STATS			
REV. LTR: D	VERSION: 03	TDR: 000000414937	
Z0V90000C CD0006A02	FILE: \AAA\00068\606	REVISED: 10:02:28 11/21/2006	
	MTL: -	BY: ENJFD0	

BALDOR ELECTRIC Co.

3PH, SV, 3 LEADS, WYE CONNECTED

CD0006A02