

BALDOR® • RELIANCE

Product Information Packet

BSM80N-133AA

BSM80N-133AA (NEO) T'STAT, RESOLVE

| Specs | | | |
|------------------------------|-----------------|--|--|
| Enclosure: | TENV | | |
| Nameplate Speed: | 6000 | | |
| Agency Approvals: | CE | | |
| | CSA | | |
| | TUV | | |
| | UR | | |
| | WEEE | | |
| Base Indicator: | Bracket Mounted | | |
| Dimensional Drawing Numbers: | S2LYP100 | | |
| Frame: | D100D | | |

Copyright © All product informati

| | | | |
|---------------------------------------|---------------------|--|--|
| Frame Material: | Exposed Laminations | | |
| Motor Lead Quantity/Wire Size: | 3 @ 18 AWG | | |
| Mounting Arrangement: | F1 | | |
| Nameplate Output: | 0.56KW | | |
| Shaft Rotation: | Reversible | | |
| Motor Standards: | IEC | | |

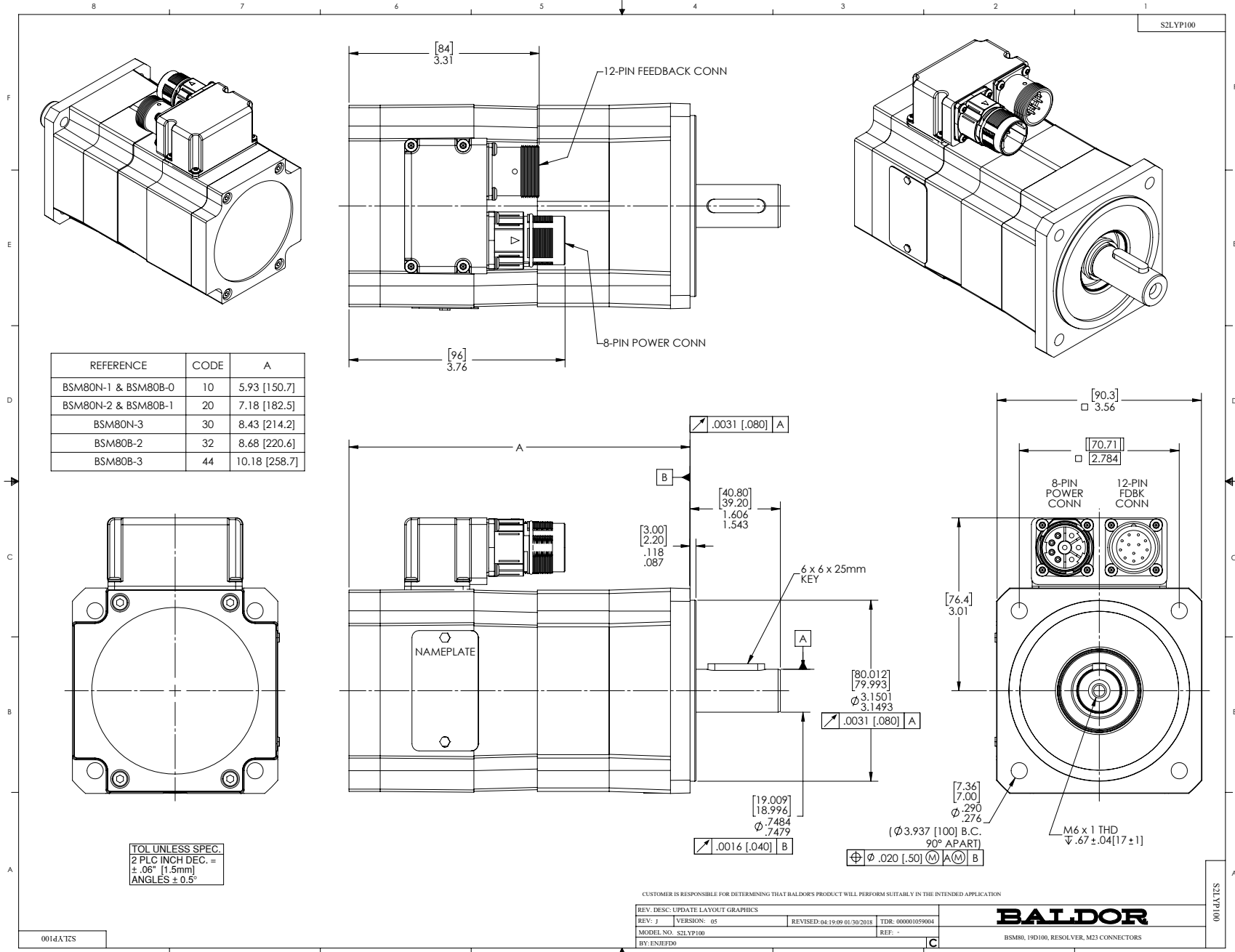
Nameplate NP2864L

| | | | |
|----------------------|--------------|------|----|
| CAT.NO. | BSM80N-133AA | | |
| BLANK | | | |
| SPEC. | S2P100W041G1 | | |
| MFG.NO. | | | |
| TORQ CONT STALL | 1.65 NM | | |
| CUR CONT STALL/A RMS | 4.58 | | |
| POWER | 0.56KW | | |
| RATED SPEED/RPM | 6000 | | |
| RATED BUS VOLTS | 200 | | |
| PEAK CUR/A RMS | 16.5 | | |
| MAX SPEED/RPM | 7000 | | |
| CLASS | F | AMB. | 25 |
| APRV-CE | | | |

| Parts List | | |
|--------------|--|----------|
| Part Number | Description | Quantity |
| SA054774 | SA S2P100W041G1 | 1.000 EA |
| RA049414 | RA S2P100W041G1 | 1.000 EA |
| WD1000A33 | 62307-2 AMP TERM,30K/REELREPLACING A19)3 | 4.000 EA |
| RM1020A10 | O-RING, -.041 BUNA-N, .070 CS X 2.989 ID | 1.000 EA |
| HW5002A93 | RET RING #NT002-145 BEVELED | 1.000 EA |
| HW2512E109 | KEY, 6 X 6 X 25MM ROUND ENDED | 1.000 EA |
| HW5109A04 | WASHER, SPLIT WAVE SPRING, FOR 32MM BORE | 2.000 EA |
| HA2113A03 | TOLERANCE RING 8MM X 7MM TYPE BN8X7C | 1.000 EA |
| S2EP3907A03 | ENDPLATE, FR BRG, RESOLVER, BSM80 | 1.000 EA |
| 84YN0040J020 | M4 X 20MM SHC SCREW | 4.000 EA |
| HW1021A04 | WASHER, M4 SPLIT LOCK | 4.000 EA |
| RM1020A10 | O-RING, -.041 BUNA-N, .070 CS X 2.989 ID | 1.000 EA |
| HA7013 | CLAMP, RESOLVER, PLASTIC "C-SHAPE" | 1.000 EA |
| 62YW0025A007 | EPOXY LOCK SCREW,M2.5X7 TORX PAN HD TAPT | 3.000 EA |
| 84YN0040J016 | M4 X 16MM SHC SCREW | 4.000 EA |
| MH4006A21 | HEAT SHRINK TUBING 0.12 ID BLACK | 0.542 FT |
| 62YW0025A007 | EPOXY LOCK SCREW,M2.5X7 TORX PAN HD TAPT | 1.000 EA |
| S1GS1000 | GASKET, 90 DEG ADAPTOR F/BSM MTRS | 1.000 EA |
| S1CB3000A02 | 90 DEG ADAPTOR, METRIC CONNECTORS F/BSM | 1.000 EA |
| GS1000A25 | GASKET, METRIC CONNECTOR(CLOTH INSERTED) | 1.000 EA |
| 99XM0356A02 | STICK SCREW, #3-56 X .125 LG. HEX (MARK | 2.000 EA |
| MJ5004A02 | P-2 FRANKLIN RESIN KIT | 0.001 GA |
| MJ5004A03 | S-C FRANKLIN ACTIVATOR | 0.001 QT |
| MJ5004A27 | RP 4005 RESIN, FOR ROTOR FIBERGLASS WIND | 0.001 EA |

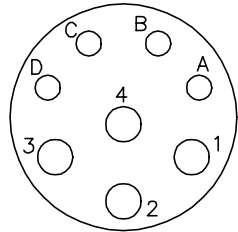
| Parts List (continued) | | |
|-------------------------------|--|-----------------|
| Part Number | Description | Quantity |
| MJ5004A28 | REN 1500H HARDENER, FOR ROTOR FIBERGLASS | 0.002 GA |
| ME3001A02 | 449S2 FIBERGLASS 20 END ROVING AA-750 | 0.010 LB |
| MG2000A17 | RUST INHIBITOR PART # SRPO #20 | 0.001 GA |
| BG6904C03 | 6904/61904 D.SH,C3,POLYREX EM | 1.000 EA |
| RF0001 | RESOLVER, BRUSHLESS, 1 SPEED, 1.4165 DIA | 1.000 EA |
| LD2200A08 | CUT LEAD GREEN&YELLOW #18 8 INCH W/ RIN | 1.000 EA |
| S2CB3502A08 | COVER, FEEDBACK, OMIT LOGO, COOL GRAY | 1.000 EA |
| WD1455A01 | CONNECTOR, FEEDBACK, M23 THDS, 12 PIN | 1.000 EA |
| WD1649A10 | 1MM PIN CONTACT, TYCO#66507-4 (24-28AWG) | 6.000 EA |
| WD5009A15 | KIT-M23 MOTOR POWER CONN, 8-PIN | 1.000 EA |
| 62YW0025A007 | EPOXY LOCK SCREW,M2.5X7 TORX PAN HD TAPT | 12.000 EA |
| MG1025L02 | WILKOFAS, 776.06 TEXTURE (BSM) BLACK | 0.002 QT |
| MG1025Z09 | CATALYST #060.06 WILCO | 0.002 QT |
| MG1500Y08 | PRIMER-WILKOPON (603.08A)YELLOW PRIMER W | 0.002 QT |
| MG1025Z08 | WILKO 603.08B PRIMER REDUCER TDR# 72361 | 0.002 QT |
| NP2864L | NAMEPLATE BSM80 ALUM, LASER ETCHED | 1.000 EA |
| 25PA1008 | PKG GRP, BSM 50, 63, & 80 | 1.000 EA |
| MS1240 | BSM Motor Quick Start 1/16 | 1.000 EA |
| LB1534 | MYLAR CE WARNING LABEL FOR SERVO MOTORS | 1.000 EA |
| LB1594 | MYLAR WEEE WHEELIE BIN SYMBOL FOR CE MOT | 1.000 EA |

No performance data has been
assigned to this product.



CD1321

8 PIN THREADED CONNECTOR
(CRIMP STYLE)
(INSERTION SIDE)

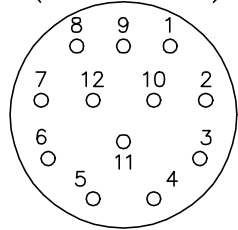


MOTOR CONNECTIONS

| PIN | FUNCTION | INTERNAL/EXTERNAL MARKINGS |
|-----|------------------|----------------------------|
| A | THERMAL SWITCH | YELLOW |
| B | THERMAL SWITCH | YELLOW |
| C | BRAKE (OPTIONAL) | BLACK (* RED) |
| D | BRAKE (OPTIONAL) | BLACK |
| 1 | U | BLACK OR T1 |
| 2 | GROUND | GREEN |
| 3 | W | BLUE OR T3 |
| 4 | V | RED OR T2 |

* WHEN REQUIRED

12 PIN THREADED CONNECTOR
(CRIMP STYLE)
(INSERTION SIDE)



RESOLVER CONNECTIONS

| PIN | FUNCTION | INTERNAL WIRE COLOR |
|-----|-----------|---------------------|
| 1 | REF HI R1 | RED/WHITE |
| 2 | REF LO R2 | YELLOW/WHITE |
| 3 | COS+ S1 | RED |
| 4 | COS- S3 | BLACK |
| 5 | SINE+ S2 | BLUE |
| 6 | SINE- S4 | YELLOW |

REV. DESC: CORRECT POWER PHASES

REV. LTR: D BY: FN REVISED: 08:52:29 01/27/2004 TDR: 323175

1ZQ1Q0

FILE: AAA00055309

REF: CD1321

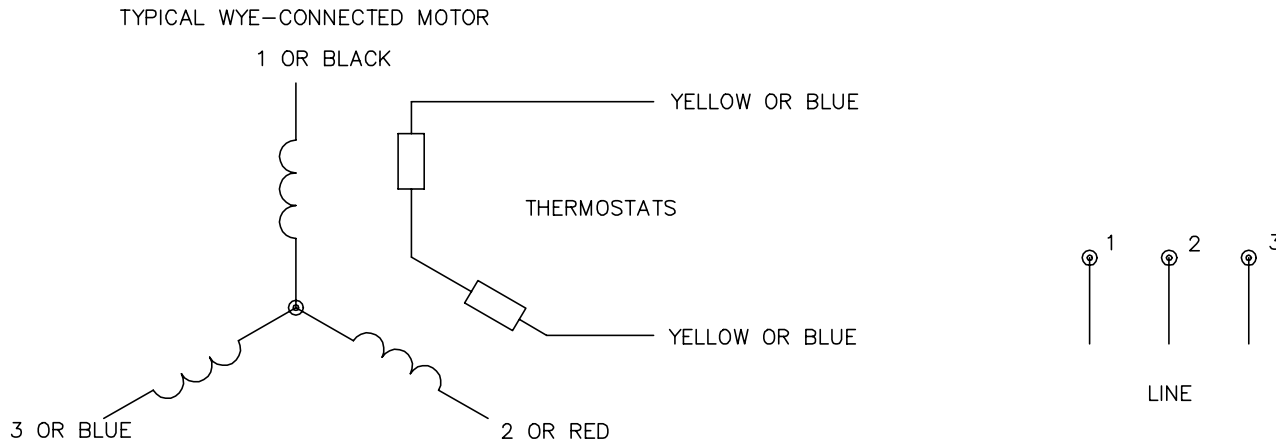
MTL: -

BALDOR ELECTRIC Co.

BSM WIRING DIAG, POWER & RESOLVER, 8 & 12 PIN THD CONNECT.

CD1321

CD0006A02



NOTES:

1. INTERCHANGE ANY TWO LINE LEADS TO REVERSE ROTATION.
2. ACTUAL NUMBER OF INTERNAL PARALLEL CIRCUITS MAY VARY.

| | | | |
|---|----------------------|------------------------------|--|
| REV. DESC: REMOVED "OPTIONAL" FROM PRINT, SERVO REQ'S T'STATS | | | |
| REV. LTR: D | VERSION: 03 | TDR: 000000414937 | |
| Z0V9000003 CD0006A02 | FILE: \AAA\00068\606 | REVISED: 10:02:28 11/21/2006 | |
| | MTL: - | BY: ENJFD0 | |

BALDOR ELECTRIC Co.

3PH, SV, 3 LEADS, WYE CONNECTED

CD0006A02