

BALDOR® • RELIANCE

Product Information Packet

BSM80N-375AF

BSM80N-375AF T'STAT, ENCODER

Specs			
Enclosure:	TENV		
Nameplate Speed:	4000		
Agency Approvals:	CE		
	CSA		
	TUV		
	UR		
	WEEE		
Base Indicator:	Bracket Mounted		
Dimensional Drawing Numbers:	S2LYP141		
Frame:	D100D		

Copyright © All product informati

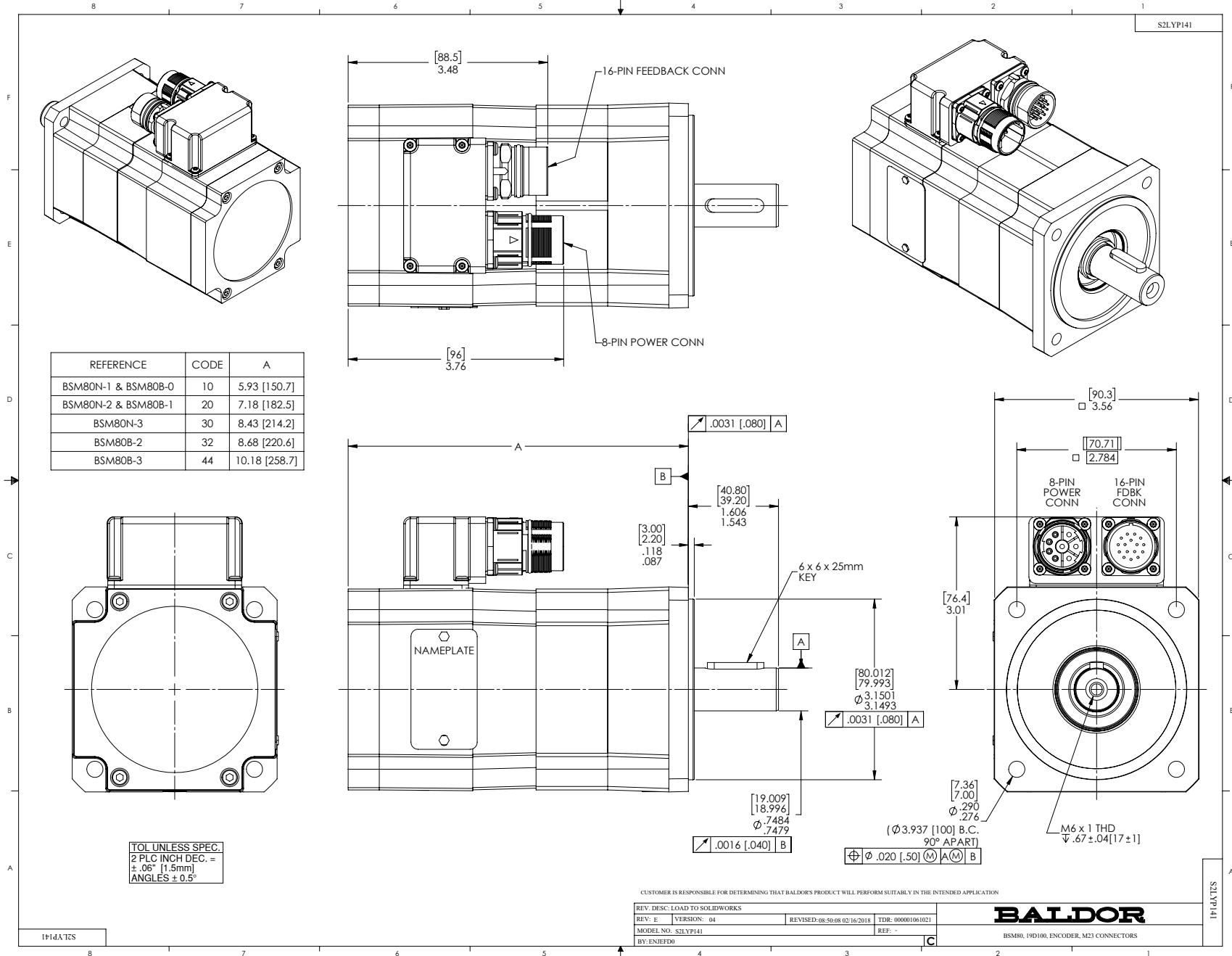
Frame Material:	Exposed Laminations		
Motor Lead Quantity/Wire Size:	3 @ 18 AWG		
Mounting Arrangement:	F1		
Nameplate Output:	1.28KW		
Shaft Rotation:	Reversible		
Motor Standards:	IEC		

Nameplate NP2864L	
CAT.NO.	BSM80N-375AF
BLANK	
SPEC.	S2P141W045G1
MFG.NO.	
TORQ CONT STALL	4.52 NM
CUR CONT STALL/A RMS	5.35
POWER	1.28KW
RATED SPEED/RPM	4000
RATED BUS VOLTS	300
PEAK CUR/A RMS	19.3
MAX SPEED/RPM	7000
CLASS	F
APRV-CE	
AMB.	25

Parts List		
Part Number	Description	Quantity
SA085333	SA S2P141W045G1	1.000 EA
RA078461	RA S2P141W045G1	1.000 EA
WD1000A33	62307-2 AMP TERM,30K/REELREPLACING A19)3	4.000 EA
RM1020A10	O-RING, -041 BUNA-N, .070 CS X 2.989 ID	1.000 EA
HA4021A04	1/8 NPTF-HX SOC PIPE PLUG TAPER DRY SEAL	1.000 EA
84YN0030JE006	SHCS 3MM X 6MM CARBON STEEL W/EPOXY LOCK	2.000 EA
HW1020A03	WASHER, FLAT 3MM	2.000 EA
HW1021A03	WASHER, M3 SPLIT LOCK	2.000 EA
HW5002A93	RET RING #NT002-145 BEVELED	1.000 EA
HW2512E109	KEY, 6 X 6 X 25MM ROUND ENDED	1.000 EA
HW5109A04	WASHER, SPLIT WAVE SPRING, FOR 32MM BORE	2.000 EA
S2EP3907A05	ENDPLATE, FR BRG, BSM80, ENCODER	1.000 EA
84YN0040J020	M4 X 20MM SHC SCREW	4.000 EA
HW1021A04	WASHER, M4 SPLIT LOCK	4.000 EA
RM1020A10	O-RING, -041 BUNA-N, .070 CS X 2.989 ID	1.000 EA
62YW0025A007	EPOXY LOCK SCREW,M2.5X7 TORX PAN HD TAPT	1.000 EA
84YN0040J014	4MM X 14MM SHCS	4.000 EA
S1GS1000	GASKET, 90 DEG ADAPTOR F/BSM MTRS	1.000 EA
GS1000A25	GASKET, METRIC CONNECTOR(CLOTH INSERTED	2.000 EA
S1CB3000A02	90 DEG ADAPTOR, METRIC CONNECTORS F/BSM	1.000 EA
99XM0356A02	STICK SCREW, #3-56 X .125 LG. HEX (MARK	2.000 EA
MJ5004A02	P-2 FRANKLIN RESIN KIT	0.001 GA
MJ5004A03	S-C FRANKLIN ACTIVATOR	0.001 QT
MJ5004A27	RP 4005 RESIN, FOR ROTOR FIBERGLASS WIND	0.001 EA

Parts List (continued)		
Part Number	Description	Quantity
MJ5004A28	REN 1500H HARDENER, FOR ROTOR FIBERGLASS	0.002 GA
ME3001A02	449S2 FIBERGLASS 20 END ROVING AA-750	0.010 LB
MG2000A17	RUST INHIBITOR PART # SRPO #20	0.001 GA
BG6904C03	6904/61904 D.SH,C3,POLYREX EM	1.000 EA
OE0323A02	ENCODER, EPC, 2500L,4 POLE, 40MM BC, CE	1.000 EA
LD6229A01	CABLE ASSY, FOR EPC ENCODERS	1.000 EA
LD2200A08	CUT LEAD GREEN&YELLOW #18 8 INCH W/ RIN	1.000 EA
S2CB3502A08	COVER, FEEDBACK, OMIT LOGO, COOL GRAY	1.000 EA
WD5009A15	KIT-M23 MOTOR POWER CONN, 8-PIN	1.000 EA
62YW0025A007	EPOXY LOCK SCREW,M2.5X7 TORX PAN HD TAPT	12.000 EA
MG1025L02	WILKOFAS, 776.06 TEXTURE (BSM) BLACK	0.002 QT
MG1025Z09	CATALYST #060.06 WILCO	0.002 QT
MG1500Y08	PRIMER-WILKOPON (603.08A)YELLOW PRIMER W	0.002 QT
MG1025Z08	WILKO 603.08B PRIMER REDUCER TDR# 72361	0.002 QT
NP2864L	NAMEPLATE BSM80 ALUM, LASER ETCHED	1.000 EA
25PA1008	PKG GRP, BSM 50, 63, & 80	1.000 EA
MS1240	BSM Motor Quick Start 1/16	1.000 EA
LB1534	MYLAR CE WARNING LABEL FOR SERVO MOTORS	1.000 EA
LB1594	MYLAR WEEE WHEELIE BIN SYMBOL FOR CE MOT	1.000 EA

No performance data has been
assigned to this product.



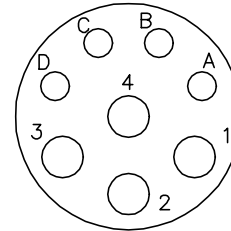
CD1297A04

MOTOR CONNECTIONS

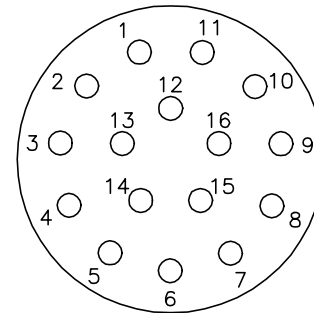
PIN	FUNCTION	INTERNAL WIRE COLOR
A	*THERMAL SWITCH	YELLOW
B	*THERMAL SWITCH	YELLOW
C	*BRAKE	BLACK
D	*BRAKE	BLACK
1	U	BLACK
2	GROUND	GREEN
3	W	BLUE
4	V	RED

*WHEN REQUIRED

PIN	FUNCTION	WIRE COLOR
1	DC+5V	RED/BLUE
2	GROUND	BLUE/RED
3	CHANNEL A	BLUE
4	CHANNEL \bar{A}	ORANGE
5	CHANNEL B	GREEN
6	CHANNEL \bar{B}	BROWN
7	CHANNEL Z	BLACK
8	CHANNEL \bar{Z}	YELLOW
9	OPEN	---
10	CHANNEL U	WHITE/BROWN
11	CHANNEL \bar{U}	BROWN/WHITE
12	CHANNEL V	WHITE/GRAY
13	CHANNEL \bar{V}	GRAY/WHITE
14	CHANNEL W	RED/ORANGE
15	CHANNEL \bar{W}	ORANGE/RED
16	OPEN	---



8 PIN MOTOR CONNECTOR
THREADED CRIMP PIN STYLE



16 PIN CONNECTOR
THREADED CRIMP PIN STYLE

16- #20 CONTACT SIZE
(CRIMP SIDE)

REV. DESC: NEW			
REV. LTR: -	BY: FN	REVISED: 13:58:58 03/24/2004	TDR: 328266
CD1297A04		FILE: AAA00115154	REF: CD1297A04
		MTL: -	

BALDOR ELECTRIC Co.

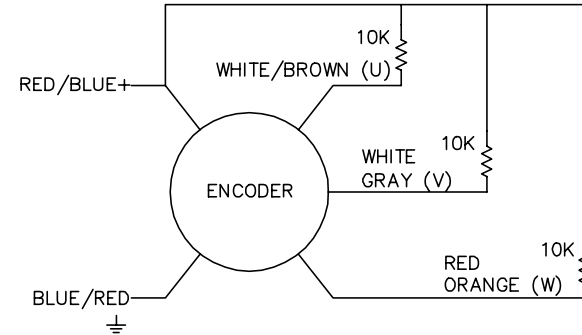
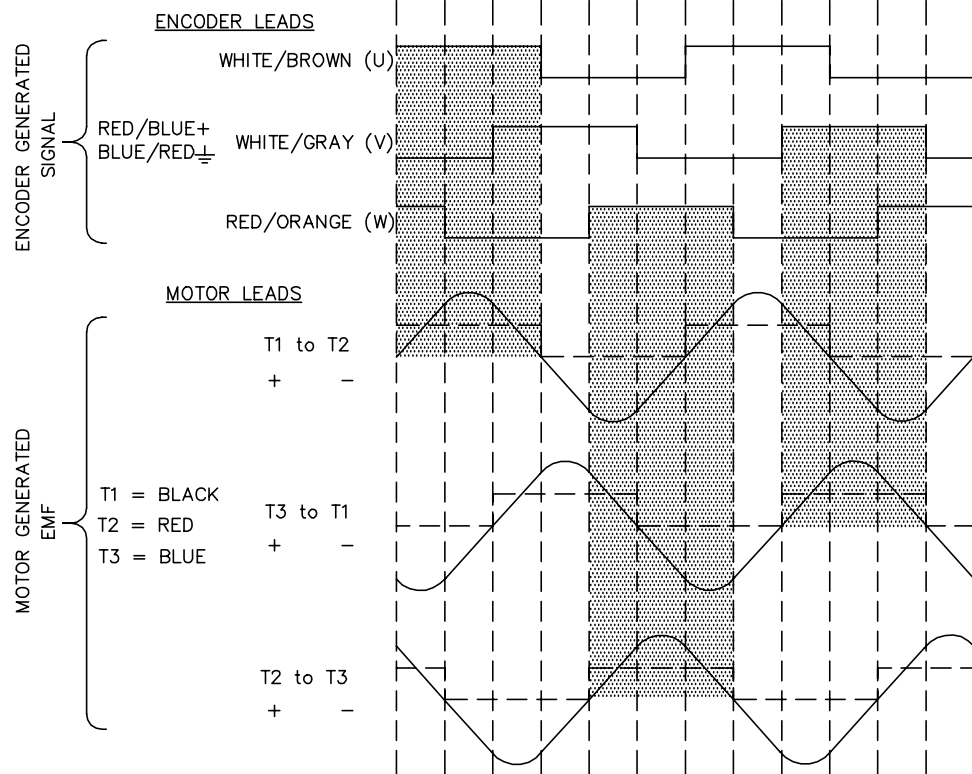
KOYO ENCODER (CHANNELS TO MATCH TMGW/SUMTAK OUTPUT)

CD1297A04

CD1338A01

BRUSHLESS D.C. COMMUTATION

8 POLE MECHANICAL DEGREES	0	15	30	45	60	75	90	105	120	135	150	165	180
4 POLE MECHANICAL DEGREES	0	30	60	90	120	150	180	210	240	270	300	330	360
ELECTRICAL DEGREES	0	60	120	180	240	300	360	420	480	540	600	660	720



NOTE:
CCW ROTATION VIEWING
MOTOR SHAFT END

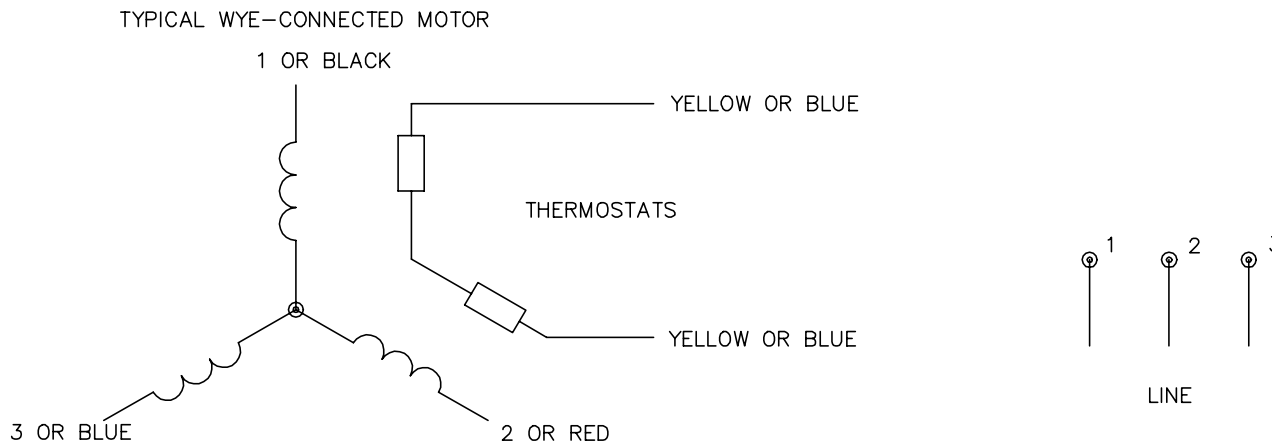
REV. DESC: NEW		REVISED: 11:22:25 03/24/2004		TDR: 328266
REV. LTR: -	BY: FN	FILE: AAA00115153	REF: CD1338A01	
CD1338A01		MTL: -		

BALDOR ELECTRIC Co.

BLDC COMMUTATION KOYO ENC.(CHANNELS TO MATCH TMGW/SUMTAK)

CD1338A01

CD0006A02



NOTES:

1. INTERCHANGE ANY TWO LINE LEADS TO REVERSE ROTATION.
2. ACTUAL NUMBER OF INTERNAL PARALLEL CIRCUITS MAY VARY.

REV. DESC: REMOVED "OPTIONAL" FROM PRINT, SERVO REQ'S T'STATS			
REV. LTR: D	VERSION: 03	TDR: 000000414937	
Z0V9000003 CD0006A02	FILE: \AAA\00068\606	REVISED: 10:02:28 11/21/2006	
	MTL: -	BY: ENJFDO	

BALDOR ELECTRIC Co.

3PH, SV, 3 LEADS, WYE CONNECTED

CD0006A02