

BALDOR® • RELIANCE

Product Information Packet

BSM90C-3150AF

BSM90C-3150AF T'STAT, ENCODER

Specs			
Enclosure:	TENV		
Nameplate Speed:	4000		
Agency Approvals:	CE		
	CSA		
	TUV		
	UR		
	WEEE		
Base Indicator:	Bracket Mounted		
Dimensional Drawing Numbers:	S3LYP193		
Frame:	D130D		

Copyright © All product informati

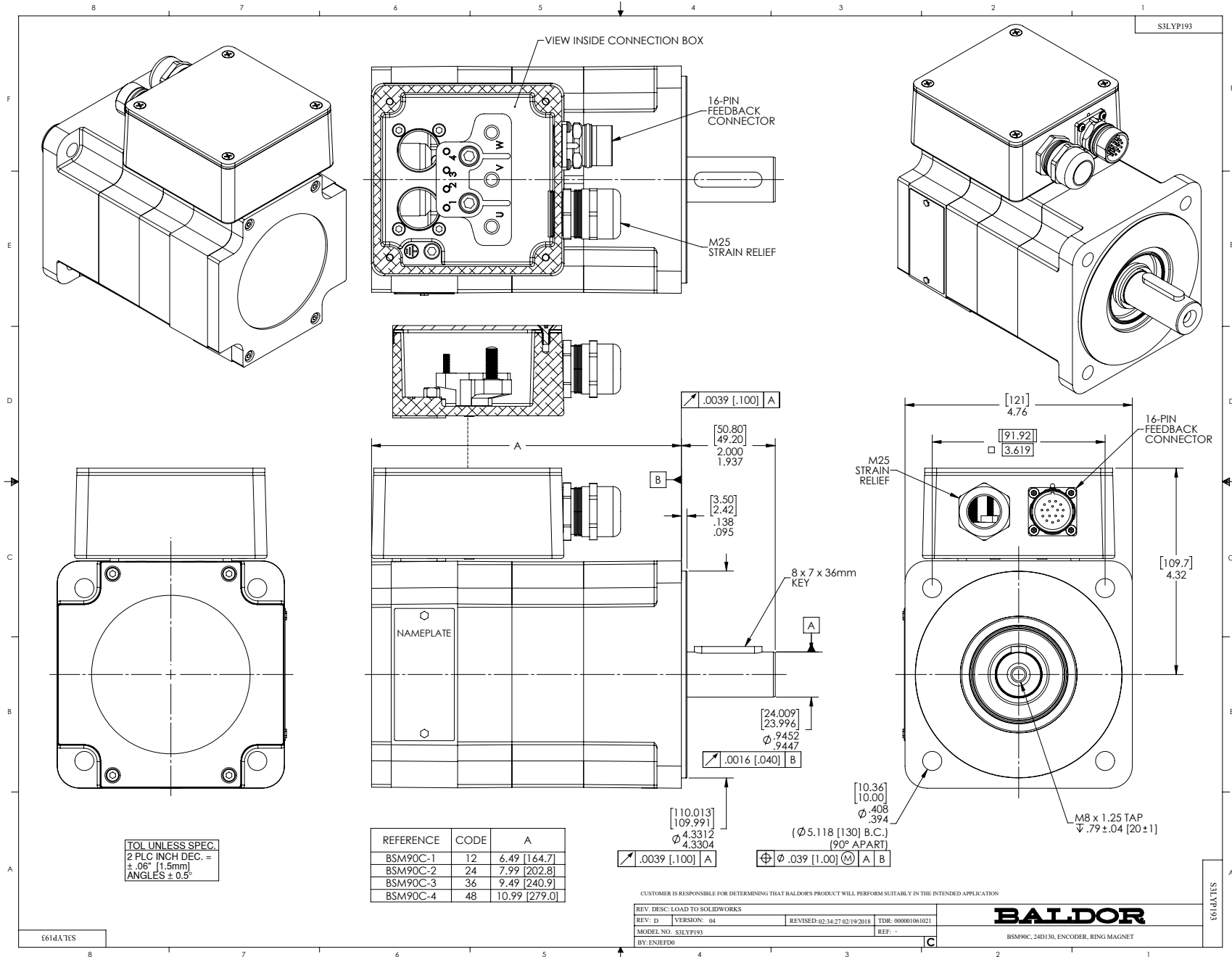
Frame Material:	Exposed Laminations		
Motor Lead Quantity/Wire Size:	3 @ 16 AWG		
Mounting Arrangement:	F1		
Nameplate Output:	1.66KW		
Shaft Rotation:	Reversible		
Motor Standards:	IEC		

Nameplate NP2863L	
CAT.NO.	BSM90C-3150AF
BLANK	
SPEC.	S3P193W082G1
MFG.NO.	
TORQ CONT STALL	7.8 NM
CUR CONT STALL/A RMS	6.04
POWER	1.66KW
RATED SPEED/RPM	4000
RATED BUS VOLTS	600
PEAK CUR/A RMS	15.4
MAX SPEED/RPM	7000
CLASS	F
APRV-CE	
AMB.	25

Parts List		
Part Number	Description	Quantity
SA099467	SA S3P193W082G1	1.000 EA
RA091642	RA S3P193W082G1	1.000 EA
WD1000D140	TRM,T&B #B71,RING,18-14,.25,NON-INSL	3.000 EA
RM1020A03	O-RING, -045 BUNA-N, .070 CS X 3.989 ID	1.000 EA
HW5002A94	RET RING 52MM INTERNAL BEVELED F/205 BRG	1.000 EA
BG6205E03	6205 D.SL,C3,POLYREX EM	1.000 EA
HW5100A43	WASHER WAVE (W1543-020) ZINC PLATED 40MM	2.000 EA
HW2511A101	KEY, 8MM X 7MM X 36MM W/ROUNDED ENDS	1.000 EA
S3EP3504C07	FR EP BSM90, TERMINAL BOX MTG W/ ENCODER	1.000 EA
84YN0040J020	M4 X 20MM SHC SCREW	4.000 EA
S4CB5001A41EPC	TERM BOX ASSY BSM90-100 M25 TAP WITH	1.000 EA
HW1021A04	WASHER, M4 SPLIT LOCK	4.000 EA
RM1020A03	O-RING, -045 BUNA-N, .070 CS X 3.989 ID	1.000 EA
84YN0040J020	M4 X 20MM SHC SCREW	4.000 EA
WD1000D84	TERMINAL, NON-INS RING, 22-18 GA, BULK P	2.000 EA
99XM0356A02	STICK SCREW, #3-56 X .125 LG. HEX (MARK	2.000 EA
MG2000A17	RUST INHIBITOR PART # SRPO #20	0.001 GA
OE0323A03	ENCODER, EPC, 2500L,8 POLE, 40MM BC, CE	1.000 EA
84YN0030JE006	SHCS 3MM X 6MM CARBON STEEL W/EPOXY LOCK	2.000 EA
HW1021A03	WASHER, M3 SPLIT LOCK	2.000 EA
HA1038	SYNCHRO CLAMP, BLDC RESOLVER/HALL MTG	2.000 EA
MG1025L02	WILKOFASST, 776.06 TEXTURE (BSM) BLACK	0.003 QT
MG1025Z09	CATALYST #060.06 WILCO	0.003 QT
MG1500Y08	PRIMER-WILKOPON (603.08A)YELLOW PRIMER W	0.003 QT

Parts List (continued)		
Part Number	Description	Quantity
MG1025Z08	WILKO 603.08B PRIMER REDUCER TDR# 72361	0.003 QT
S3CB3002E01	BSM90 BLDC FEEDBACK COVER LIGHT GREY	1.000 EA
NP2863L	NAMEPLATE BSM90/100 ALUM, LASER ETCHED	1.000 EA
PK3083T	STYROFOAM PACKING CRADLE	1.000 EA
27PA1001	PKG GRP, PRINT PK1027A06	1.000 EA
LB1534	MYLAR CE WARNING LABEL FOR SERVO MOTORS	1.000 EA
PK3088	MICROFOAM, 8"X"8 PERF. SHEETS 5,400/RL	1.000 EA
LB1594	MYLAR WEEE WHEELIE BIN SYMBOL FOR CE MOT	1.000 EA

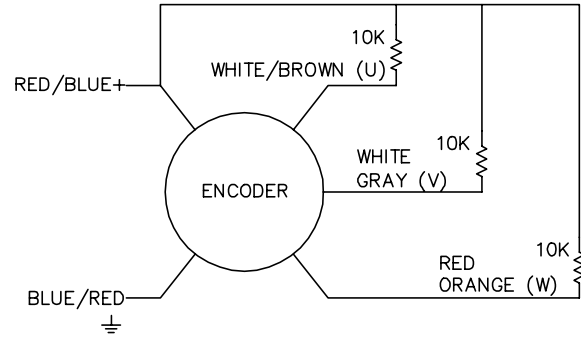
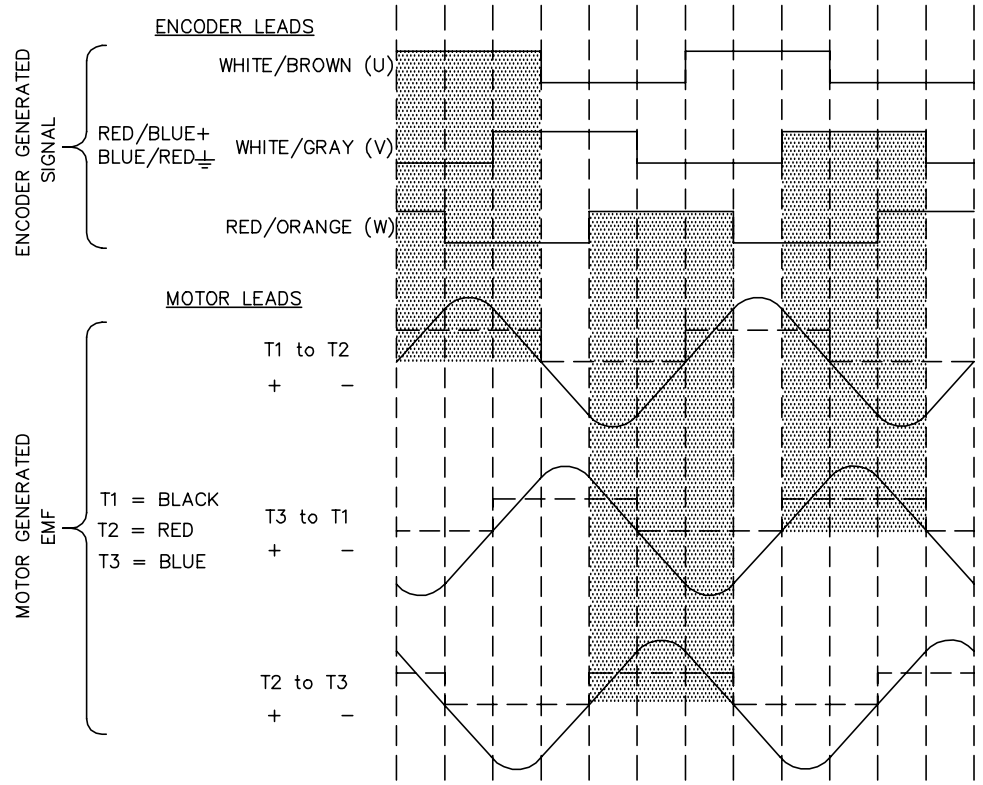
No performance data has been
assigned to this product.



CD1338A01

BRUSHLESS D.C. COMMUTATION

8 POLE MECHANICAL DEGREES	0	15	30	45	60	75	90	105	120	135	150	165	180
4 POLE MECHANICAL DEGREES	0	30	60	90	120	150	180	210	240	270	300	330	360
ELECTRICAL DEGREES	0	60	120	180	240	300	360	420	480	540	600	660	720



NOTE:
 CCW ROTATION VIEWING
 MOTOR SHAFT END

REV. DESC: NEW		REVISED: 11:22:25 03/24/2004		TDR: 328266
REV. LTR: -	BY: FN	FILE: AAA00115153	REF: CD1338A01	
CD1338A01		MTL: -		

BALDOR ELECTRIC Co.

BLDC COMMUTATION KOYO ENC.(CHANNELS TO MATCH TMGW/SUMTAK)

CD1338A01

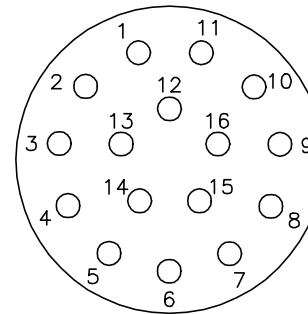
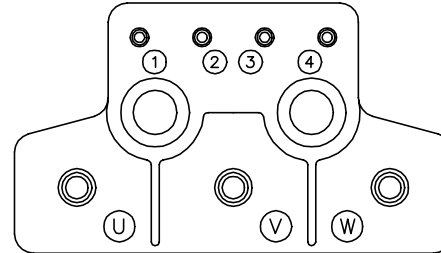
CD1388A02

MOTOR CONNECTIONS

TERMINAL LABEL	FUNCTION	INTERNAL WIRE MARKING
1	THERMAL SWITCH	YELLOW
2	THERMAL SWITCH	YELLOW
3	*BRAKE	BLACK
4	*BRAKE	BLACK
⏏	GROUND	-----
U	PHASE U	BLACK OR T1
V	PHASE V	RED OR T2
W	PHASE W	BLUE OR T3

* WHEN REQUIRED

PIN	FUNCTION	WIRE COLOR
1	DC+5V	RED/BLUE
2	GROUND	BLUE/RED
3	CHANNEL A	BLUE
4	CHANNEL \bar{A}	ORANGE
5	CHANNEL B	GREEN
6	CHANNEL \bar{B}	BROWN
7	CHANNEL Z	BLACK
8	CHANNEL \bar{Z}	YELLOW
9	OPEN	---
10	CHANNEL U	WHITE/BROWN
11	CHANNEL \bar{U}	BROWN/WHITE
12	CHANNEL V	WHITE/GRAY
13	CHANNEL \bar{V}	GRAY/WHITE
14	CHANNEL W	RED/ORANGE
15	CHANNEL \bar{W}	ORANGE/RED
16	OPEN	---



16 PIN CONNECTOR
THREADED CRIMP PIN STYLE

16- #20 CONTACT SIZE
(CRIMP SIDE)

CD1388A02

REV. DESC: NEW

REV. LTR: - BY: FN REVISED: 10:20:15 03/25/2004 TDR: 328341

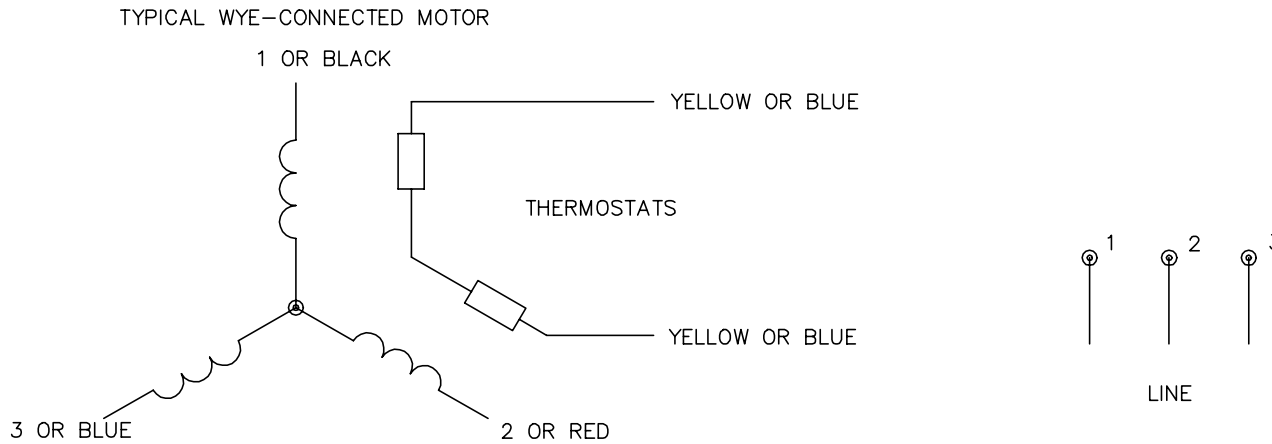
CD1388A02

FILE: AAA00115200 REF: CD1388A02
MTL: -

BALDOR ELECTRIC Co.

CONN DIAG KOYO ENCODER C/T, K.O. BOX & 16 PIN CONNECTOR

CD0006A02



NOTES:

1. INTERCHANGE ANY TWO LINE LEADS TO REVERSE ROTATION.
2. ACTUAL NUMBER OF INTERNAL PARALLEL CIRCUITS MAY VARY.

REV. DESC: REMOVED "OPTIONAL" FROM PRINT, SERVO REQ'S T'STATS			
REV. LTR: D	VERSION: 03	TDR: 000000414937	
Z0V90000C 02	FILE: \AAA\00068\606	REVISED: 10:02:28 11/21/2006	
	MTL: -	BY: ENJFDO	

BALDOR ELECTRIC Co.

3PH, SV, 3 LEADS, WYE CONNECTED

CD0006A02