

BALDOR® • RELIANCE

Product Information Packet

BSM90N-2150AA

BSM90N-2150AA (NEO) T'STAT, RESOLVE

Specs			
Enclosure:	TENV		
Nameplate Speed:	2000		
Agency Approvals:	CE		
	CSA		
	TUV		
	UR		
	WEEE		
Base Indicator:	Bracket Mounted		
Dimensional Drawing Numbers:	S3LYP100		
Frame:	D130D		

Copyright © All product informati

Motor Lead Quantity/Wire Size:	3 @ 16 AWG		
Mounting Arrangement:	F1		
Nameplate Output:	1.63KW		
Shaft Rotation:	Reversible		
Motor Standards:	IEC		

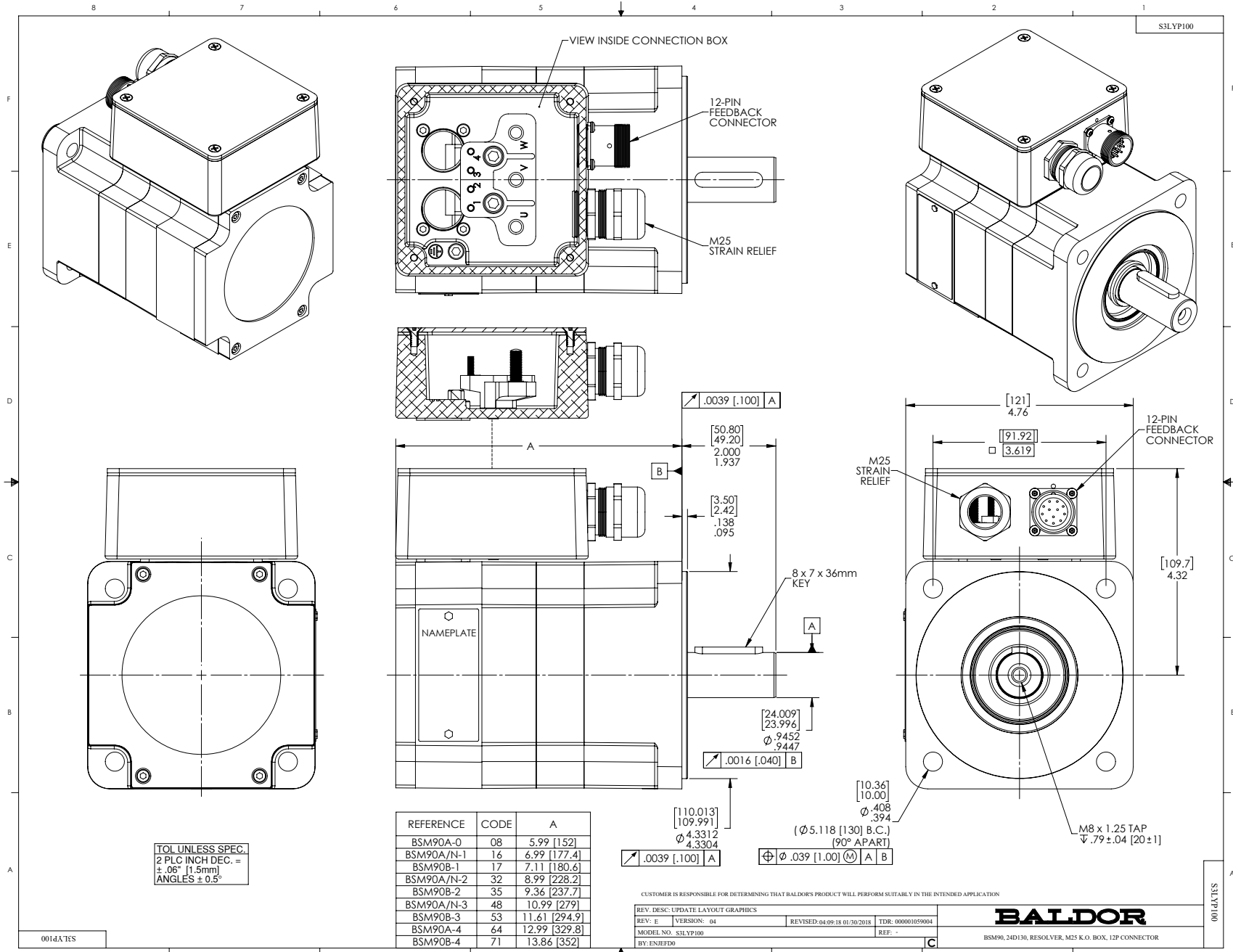
Nameplate NP2863L	
CAT.NO.	BSM90N-2150AA
BLANK	
SPEC.	S3P100W061G1
MFG.NO.	
TORQ CONT STALL	10 NM
CUR CONT STALL/A RMS	6.15
POWER	1.63KW
RATED SPEED/RPM	2000
RATED BUS VOLTS	300
PEAK CUR/A RMS	22.1
MAX SPEED/RPM	7000
CLASS	F
APRV-CE	
AMB.	25

Parts List		
Part Number	Description	Quantity
SA054709	SA S3P100W061G1	1.000 EA
RA049352	RA S3P100W061G1	1.000 EA
WD1000D140	TRM,T&B #B71,RING,18-14,.25,NON-INSL	3.000 EA
RM1020A03	O-RING, -045 BUNA-N, .070 CS X 3.989 ID	1.000 EA
HW5002A94	RET RING 52MM INTERNAL BEVELED F/205 BRG	1.000 EA
HW2511A101	KEY, 8MM X 7MM X 36MM W/ROUNDED ENDS	1.000 EA
HW5100A43	WASHER WAVE (W1543-020) ZINC PLATED 40MM	2.000 EA
HA2113A03	TOLERANCE RING 8MM X 7MM TYPE BN8X7C	1.000 EA
S3EP3504C23	ENDPLATE, FR-BSM90, RESOLVER, KO BOX MTG	1.000 EA
84YN0040J020	M4 X 20MM SHC SCREW	4.000 EA
HW1021A04	WASHER, M4 SPLIT LOCK	4.000 EA
RM1020A03	O-RING, -045 BUNA-N, .070 CS X 3.989 ID	1.000 EA
HA7013	CLAMP, RESOLVER, PLASTIC "C-SHAPE"	1.000 EA
62YW0025A007	EPOXY LOCK SCREW,M2.5X7 TORX PAN HD TAPT	3.000 EA
MH4006A21	HEAT SHRINK TUBING 0.12 ID BLACK	0.708 FT
84YN0040J020	M4 X 20MM SHC SCREW	4.000 EA
WD1000D84	TERMINAL, NON-INS RING, 22-18 GA, BULK P	2.000 EA
99XM0356A02	STICK SCREW, #3-56 X .125 LG. HEX (MARK	2.000 EA
MJ5004A02	P-2 FRANKLIN RESIN KIT	0.001 GA
MJ5004A03	S-C FRANKLIN ACTIVATOR	0.001 QT
MJ5004A27	RP 4005 RESIN, FOR ROTOR FIBERGLASS WIND	0.001 EA
MJ5004A28	REN 1500H HARDENER, FOR ROTOR FIBERGLASS	0.003 GA
ME3001A02	449S2 FIBERGLASS 20 END ROVING AA-750	0.015 LB
MG2000A17	RUST INHIBITOR PART # SRPO #20	0.001 GA

Parts List (continued)		
Part Number	Description	Quantity
BG6205E03	6205 D.SL,C3,POLYREX EM	1.000 EA
RF0001	RESOLVER, BRUSHLESS, 1 SPEED, 1.4165 DIA	1.000 EA
S3CB3002E01	BSM90 BLDC FEEDBACK COVER LIGHT GREY	1.000 EA
S4CB5001A40	TERM BOX ASSY BSM90-100 M25 TAP, 12P M23	1.000 EA
MG1025L02	WILKOFASST, 776.06 TEXTURE (BSM) BLACK	0.003 QT
MG1025Z09	CATALYST #060.06 WILCO	0.003 QT
MG1500Y08	PRIMER-WILKOPON (603.08A)YELLOW PRIMER W	0.003 QT
MG1025Z08	WILKO 603.08B PRIMER REDUCER TDR# 72361	0.003 QT
NP2863L	NAMEPLATE BSM90/100 ALUM, LASER ETCHED	1.000 EA
27PA1001	PKG GRP, PRINT PK1027A06	1.000 EA
PK3083T	STYROFOAM PACKING CRADLE	1.000 EA
MS1240	BSM Motor Quick Start 1/16	1.000 EA
LB1534	MYLAR CE WARNING LABEL FOR SERVO MOTORS	1.000 EA
LB1417	LABEL CARTON 6X4 PERFORATED BLANK ROLLS	1.000 EA
PK3088	MICROFOAM, 8"X"8 PERF. SHEETS 5,400/RL	1.000 EA
LB1594	MYLAR WEEE WHEELIE BIN SYMBOL FOR CE MOT	1.000 EA

Accessories		
Part Number	Description	Multiplier
GBSM90-MRP120-4	Std. Servo Gearbox Ratio 4:1	E4
GBSM90-MRP120-5	Std. Servo Gearbox Ratio 5:1	E4
GBSM90-MRP120-7	Std. Servo Gearbox Ratio 7:1	E4
GBSM90-MRP155-10	Std. Servo Gearbox Ratio 10:1	E4
GBSM90-MRP155-25	Std. Servo Gearbox Ratio 25:1	E4

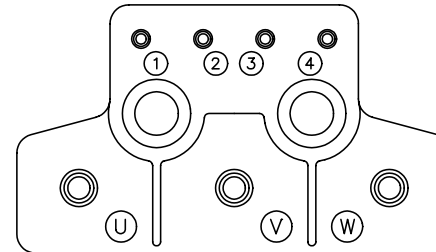
No performance data has been
assigned to this product.



CD1404

MOTOR CONNECTIONS

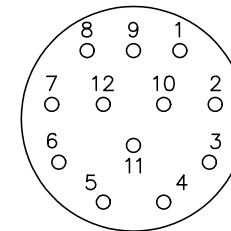
TERMINAL LABEL	FUNCTION	INTERNAL WIRE MARKING
1	THERMAL SWITCH	YELLOW
2	THERMAL SWITCH	YELLOW
3	BRAKE (OPTIONAL)	BLACK
4	BRAKE (OPTIONAL)	BLACK
⏏	GROUND	-----
U	PHASE U	T1
V	PHASE V	T2
W	PHASE W	T3



RESOLVER CONNECTIONS

PIN	FUNCTION	INTERNAL WIRE COLOR
1	REF HI R1	RED/WHITE
2	REF LO R2	YELLOW/WHITE
3	COS+ S1	RED
4	COS- S3	BLACK
5	SINE+ S2	BLUE
6	SINE- S4	YELLOW

12 PIN THREADED CONNECTOR (INSERTION SIDE)



NOTE:

IF NO FEEDBACK, OMIT RESOLVER CONNECTIONS.

REV. DESC: ADDED WS TO PLT CODE

REV. LTR: A

BY: DH

REVISED: 10/31/00 4:15

TDR: 0220616

CD1404

FILE: AAA00065150

REF: -

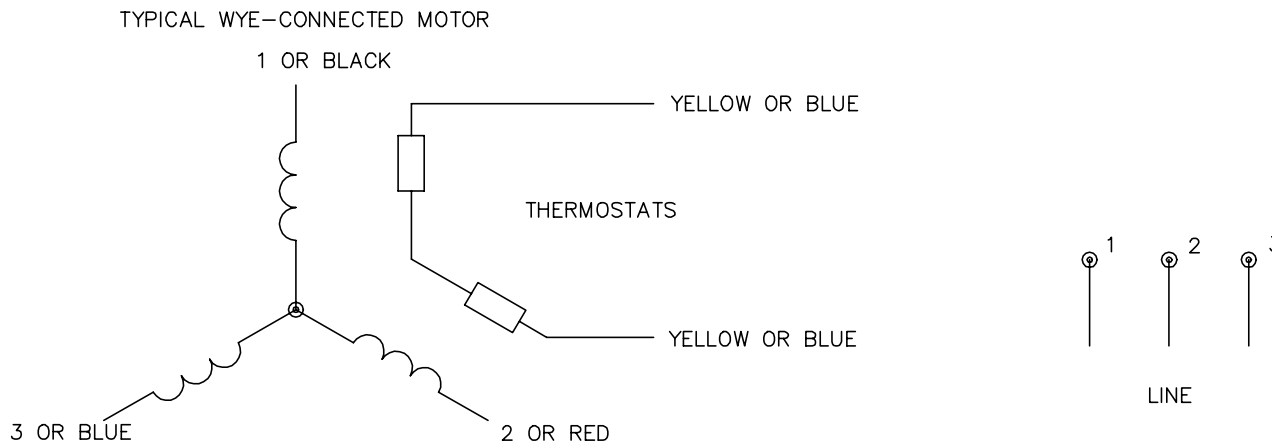
MTL: -

BALDOR ELECTRIC Co.

CONN. DIAG. - BSM, RESOLVER, BRAKE, TERMINAL BLOCK, 12 PIN CONN

CD1404

CD0006A02



NOTES:

1. INTERCHANGE ANY TWO LINE LEADS TO REVERSE ROTATION.
2. ACTUAL NUMBER OF INTERNAL PARALLEL CIRCUITS MAY VARY.

REV. DESC: REMOVED "OPTIONAL" FROM PRINT, SERVO REQ'S T'STATS			
REV. LTR: D	VERSION: 03	TDR: 000000414937	
Z0V9000003 CD0006A02	FILE: \AAA\00068\606	REVISED: 10:02:28 11/21/2006	
	MTL: -	BY: ENJFD0	

BALDOR ELECTRIC Co.

3PH, SV, 3 LEADS, WYE CONNECTED

CD0006A02