

BALDOR® • RELIANCE

Product Information Packet

BSM90N-275AA

BSM90N-275AA (NEO) T'STAT, RESOLVE

Specs			
Enclosure:	TENV		
Nameplate Speed:	4000		
Agency Approvals:	CE		
	CSA		
	TUV		
	UR		
	WEEE		
Base Indicator:	Bracket Mounted		
Dimensional Drawing Numbers:	S3LYP100		
Frame:	D130D		

Copyright © All product informati

Frame Material:	Exposed Laminations		
Motor Lead Quantity/Wire Size:	3 @ 14 AWG		
Mounting Arrangement:	F1		
Nameplate Output:	2.59KW		
Shaft Rotation:	Reversible		
Motor Standards:	IEC		

Nameplate NP2863L

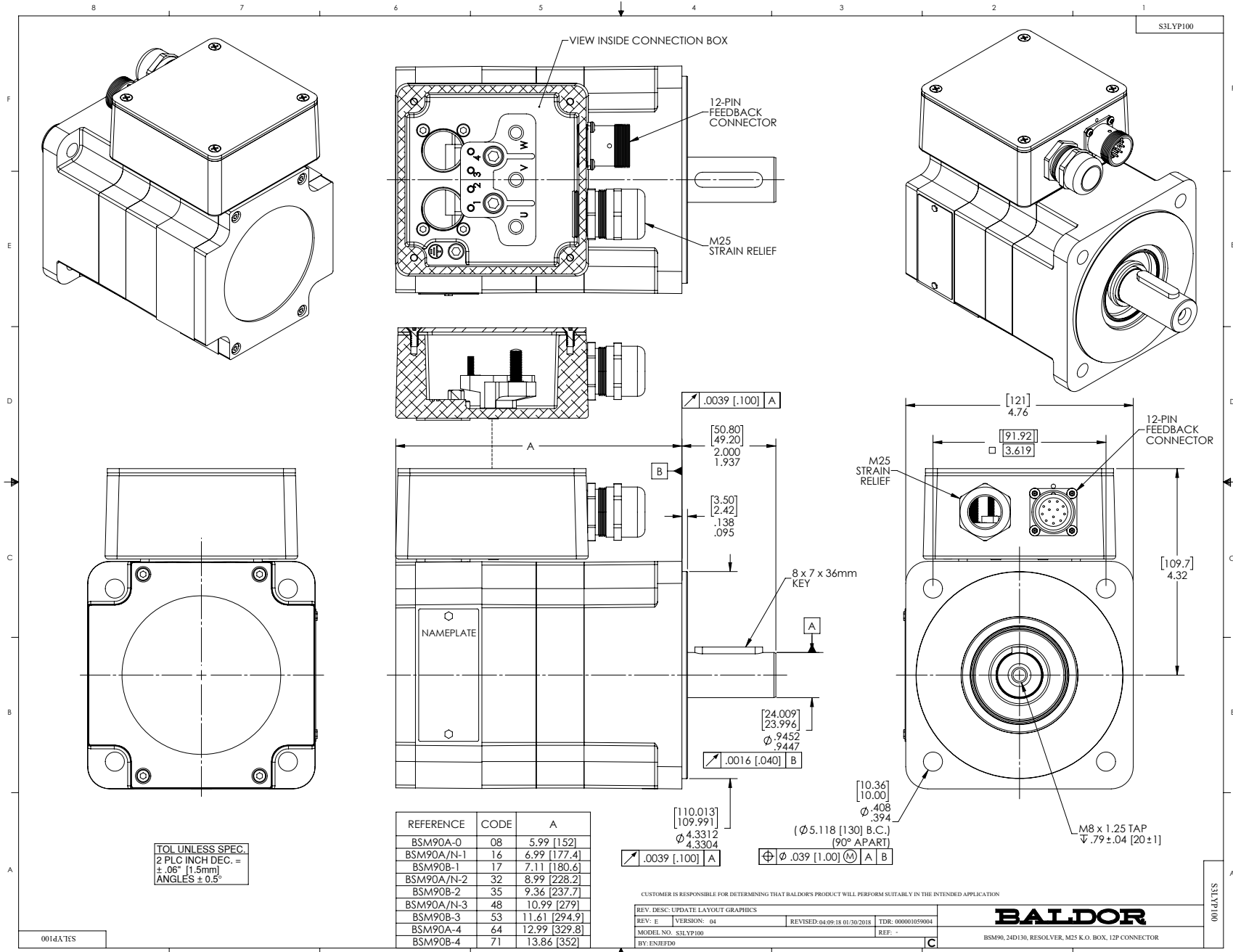
CAT.NO.	BSM90N-275AA		
BLANK			
SPEC.	S3P100W060G1		
MFG.NO.			
TORQ CONT STALL	10 NM		
CUR CONT STALL/A RMS	11.6		
POWER	2.59KW		
RATED SPEED/RPM	4000		
RATED BUS VOLTS	300		
PEAK CUR/A RMS	41.9		
MAX SPEED/RPM	7000		
CLASS	F	AMB.	25
APRV-CE			

Parts List		
Part Number	Description	Quantity
SA054706	SA S3P100W060G1	1.000 EA
RA049351	RA S3P100W060G1	1.000 EA
WD1000D140	TRM,T&B #B71,RING,18-14,.25,NON-INSL	3.000 EA
RM1020A03	O-RING, -045 BUNA-N, .070 CS X 3.989 ID	1.000 EA
HW5002A94	RET RING 52MM INTERNAL BEVELED F/205 BRG	1.000 EA
HW2511A101	KEY, 8MM X 7MM X 36MM W/ROUNDED ENDS	1.000 EA
HW5100A43	WASHER WAVE (W1543-020) ZINC PLATED 40MM	2.000 EA
HA2113A03	TOLERANCE RING 8MM X 7MM TYPE BN8X7C	1.000 EA
S3EP3504C23	ENDPLATE, FR-BSM90, RESOLVER, KO BOX MTG	1.000 EA
84YN0040J020	M4 X 20MM SHC SCREW	4.000 EA
HW1021A04	WASHER, M4 SPLIT LOCK	4.000 EA
RM1020A03	O-RING, -045 BUNA-N, .070 CS X 3.989 ID	1.000 EA
HA7013	CLAMP, RESOLVER, PLASTIC "C-SHAPE"	1.000 EA
62YW0025A007	EPOXY LOCK SCREW,M2.5X7 TORX PAN HD TAPT	3.000 EA
MH4006A21	HEAT SHRINK TUBING 0.12 ID BLACK	0.708 FT
84YN0040J020	M4 X 20MM SHC SCREW	4.000 EA
WD1000D84	TERMINAL, NON-INS RING, 22-18 GA, BULK P	2.000 EA
99XM0356A02	STICK SCREW, #3-56 X .125 LG. HEX (MARK	2.000 EA
MJ5004A02	P-2 FRANKLIN RESIN KIT	0.001 GA
MJ5004A03	S-C FRANKLIN ACTIVATOR	0.001 QT
MJ5004A27	RP 4005 RESIN, FOR ROTOR FIBERGLASS WIND	0.001 EA
MJ5004A28	REN 1500H HARDENER, FOR ROTOR FIBERGLASS	0.003 GA
ME3001A02	449S2 FIBERGLASS 20 END ROVING AA-750	0.015 LB
MG2000A17	RUST INHIBITOR PART # SRPO #20	0.001 GA

Parts List (continued)		
Part Number	Description	Quantity
BG6205E03	6205 D.SL,C3,POLYREX EM	1.000 EA
RF0001	RESOLVER, BRUSHLESS, 1 SPEED, 1.4165 DIA	1.000 EA
S3CB3002E01	BSM90 BLDC FEEDBACK COVER LIGHT GREY	1.000 EA
S4CB5001A40	TERM BOX ASSY BSM90-100 M25 TAP, 12P M23	1.000 EA
MG1025L02	WILKOFASST, 776.06 TEXTURE (BSM) BLACK	0.003 QT
MG1025Z09	CATALYST #060.06 WILCO	0.003 QT
MG1500Y08	PRIMER-WILKOPON (603.08A)YELLOW PRIMER W	0.003 QT
MG1025Z08	WILKO 603.08B PRIMER REDUCER TDR# 72361	0.003 QT
NP2863L	NAMEPLATE BSM90/100 ALUM, LASER ETCHED	1.000 EA
27PA1001	PKG GRP, PRINT PK1027A06	1.000 EA
PK3083T	STYROFOAM PACKING CRADLE	1.000 EA
LB1534	MYLAR CE WARNING LABEL FOR SERVO MOTORS	1.000 EA
PK3088	MICROFOAM, 8"X"8 PERF. SHEETS 5,400/RL	1.000 EA
LB1594	MYLAR WEEE WHEELIE BIN SYMBOL FOR CE MOT	1.000 EA

Accessories		
Part Number	Description	Multiplier
GBSM90-MRP120-4	Std. Servo Gearbox Ratio 4:1	E4
GBSM90-MRP120-5	Std. Servo Gearbox Ratio 5:1	E4
GBSM90-MRP120-7	Std. Servo Gearbox Ratio 7:1	E4
GBSM90-MRP155-10	Std. Servo Gearbox Ratio 10:1	E4
GBSM90-MRP155-25	Std. Servo Gearbox Ratio 25:1	E4

No performance data has been
assigned to this product.



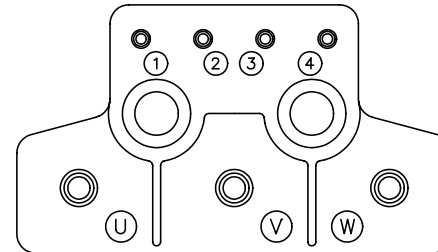
CD1404

MOTOR CONNECTIONS

TERMINAL LABEL	FUNCTION	INTERNAL WIRE MARKING
1	THERMAL SWITCH	YELLOW
2	THERMAL SWITCH	YELLOW
3	BRAKE (OPTIONAL)	BLACK
4	BRAKE (OPTIONAL)	BLACK
⏏	GROUND	-----
U	PHASE U	T1
V	PHASE V	T2
W	PHASE W	T3



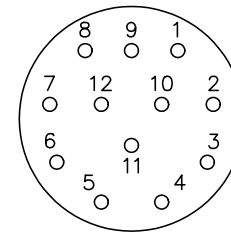
GROUND BOSS



RESOLVER CONNECTIONS

PIN	FUNCTION	INTERNAL WIRE COLOR
1	REF HI R1	RED/WHITE
2	REF LO R2	YELLOW/WHITE
3	COS+ S1	RED
4	COS- S3	BLACK
5	SINE+ S2	BLUE
6	SINE- S4	YELLOW

12 PIN THREADED CONNECTOR (INSERTION SIDE)



NOTE:

IF NO FEEDBACK, OMIT RESOLVER CONNECTIONS.

REV. DESC: ADDED WS TO PLT CODE

REV. LTR: A BY: DH

REVISED: 10/31/00 4:15

TDR: 0220616

CD1404

FILE: AAA00065150

REF: -

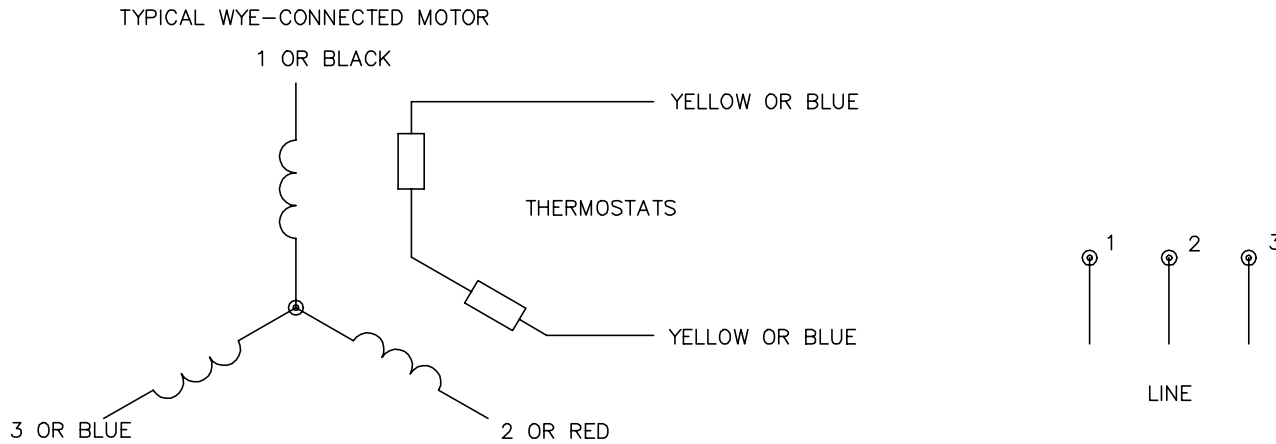
MTL: -

BALDOR ELECTRIC Co.

CONN. DIAG. - BSM, RESOLVER, BRAKE, TERMINAL BLOCK, 12 PIN CONN

CD1404

CD0006A02



NOTES:

1. INTERCHANGE ANY TWO LINE LEADS TO REVERSE ROTATION.
2. ACTUAL NUMBER OF INTERNAL PARALLEL CIRCUITS MAY VARY.

REV. DESC: REMOVED "OPTIONAL" FROM PRINT, SERVO REQ'S T'STATS			
REV. LTR: D	VERSION: 03	TDR: 000000414937	
Z0V9000003 CD0006A02	FILE: \AAA\00068\606	REVISED: 10:02:28 11/21/2006	
	MTL: -	BY: ENJFDO	

BALDOR ELECTRIC Co.

3PH, SV, 3 LEADS, WYE CONNECTED

CD0006A02