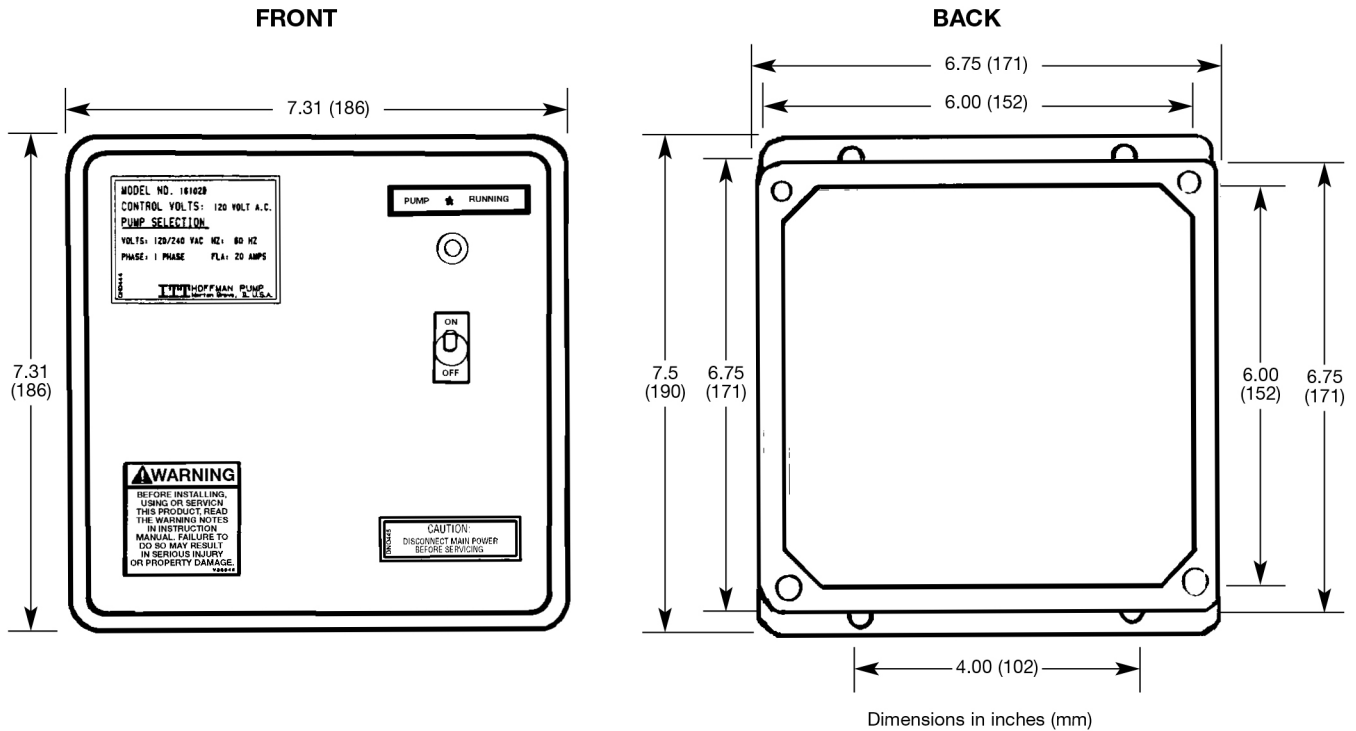




Hoffman Specialty Control Panel

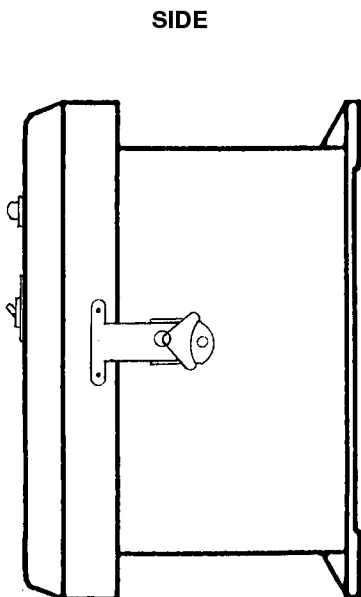


115/230 Volt Single Phase Simplex Control Panel

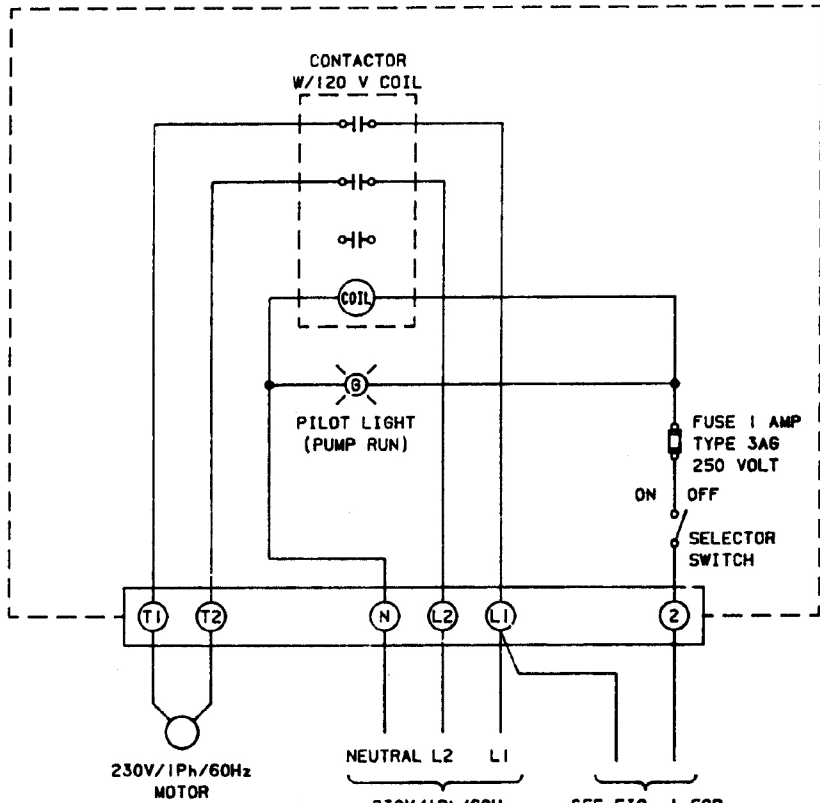
The Hoffman control panel is furnished for wall mounting. It complies with NEMA and JIC specifications. Each NEMA 4X enclosure includes the following components:

- **Piano hinged control panel door** with interlock
- **DIN rail mounting** (for ease of contactor replacement)
- **IEC contactor** with 120 volt coil and 1 N.O. Aux. contact
- **Fuse** (to protect contactor coil)
- **Waterproof ON-OFF switch** provides a means of shutting off pump.
- **Pilot Light** (indicating pump running)
- **Numbered terminal strip**
- **Control panel mounting plate**
- **One set of terminals** (for float type control)
- **Maximum FLA current draw 20 amps**

Control cabinet and components are UL listed.



ELEMENTARY DIAGRAM SINGLE PHASE SIMPLEX CONTROL PANEL



PRE-WIRED HOFFMAN
CONTROL PANEL

- NOTES:**
- 1 All wiring in accordance with N.E.C.
 2. Field wiring should be in accordance with N.E.C.
 3. Disconnect switch and circuit overload protection to be supplied and externally installed by others.

FIELD
WIRING

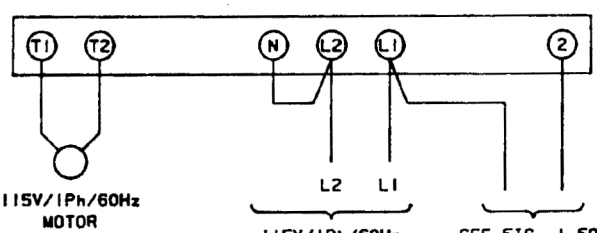
230V/1Ph/60Hz
MOTOR

NEUTRAL L2 L1

230V/1Ph/60Hz
POWER SUPPLY
20 AMP FULL
LOAD CURRENT
MAXIMUM
SEE NOTE 3

SEE FIG. 1 FOR
CONDENSATE CONTROL
CONNECTION.
SEE FIG. 2 FOR
BOILER FEED CONTROL
CONNECTION

FIELD WIRING FOR 230V/1Ph/60Hz MOTOR AND
230V/1Ph/60Hz POWER SUPPLY. POWER SUPPLY
MUST BE SINGLE PHASE THREE WIRE SYSTEM
(L1, L2 & NEUTRAL).



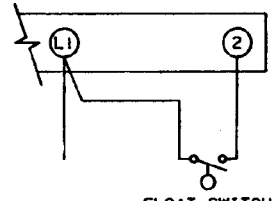
115V/1Ph/60Hz
MOTOR

L2 L1

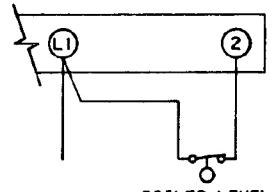
115V/1Ph/60Hz
POWER SUPPLY
20 AMP FULL
LOAD CURRENT
MAXIMUM
SEE NOTE 3

SEE FIG. 1 FOR
CONDENSATE CONTROL
CONNECTION.
SEE FIG. 2 FOR
BOILER FEED CONTROL
CONNECTION

FIELD WIRING FOR 115V/1Ph/60Hz MOTOR AND
115V/1Ph/60Hz PCWER SUPPLY. (L1, L2)



FLOAT SWITCH
CONDENSATE
LEVEL CONTROL
FIG. 1



BOILER LEVEL
CONTROLLER
M & M MODEL
150 OR EQUAL
FIG. 2

2DW456



Xylem Inc.
8200 N. Austin Avenue
Morton Grove, Illinois 60053
Phone: (847) 966-3700
Fax: (847) 965-8379
www.bellgossett.com

Bell & Gossett is a trademark of Xylem Inc. or one of its subsidiaries.
© 2012 Xylem Inc. S-520 March 1996