

# PRODUCT INFORMATION PACKET



Model No: C143C17DK1F

Catalog No: 120996.00

1HP..1740RPM.143.DP./V.1PH.60HZ.CONT.NOT.40C.1.15SF.RIGID C.JM PUMP.C143C17DK1F  
JM



Regal and Leeson are trademarks of Regal Beloit Corporation or one of its affiliated companies.

©2018 Regal Beloit Corporation, All Rights Reserved. MC017097E



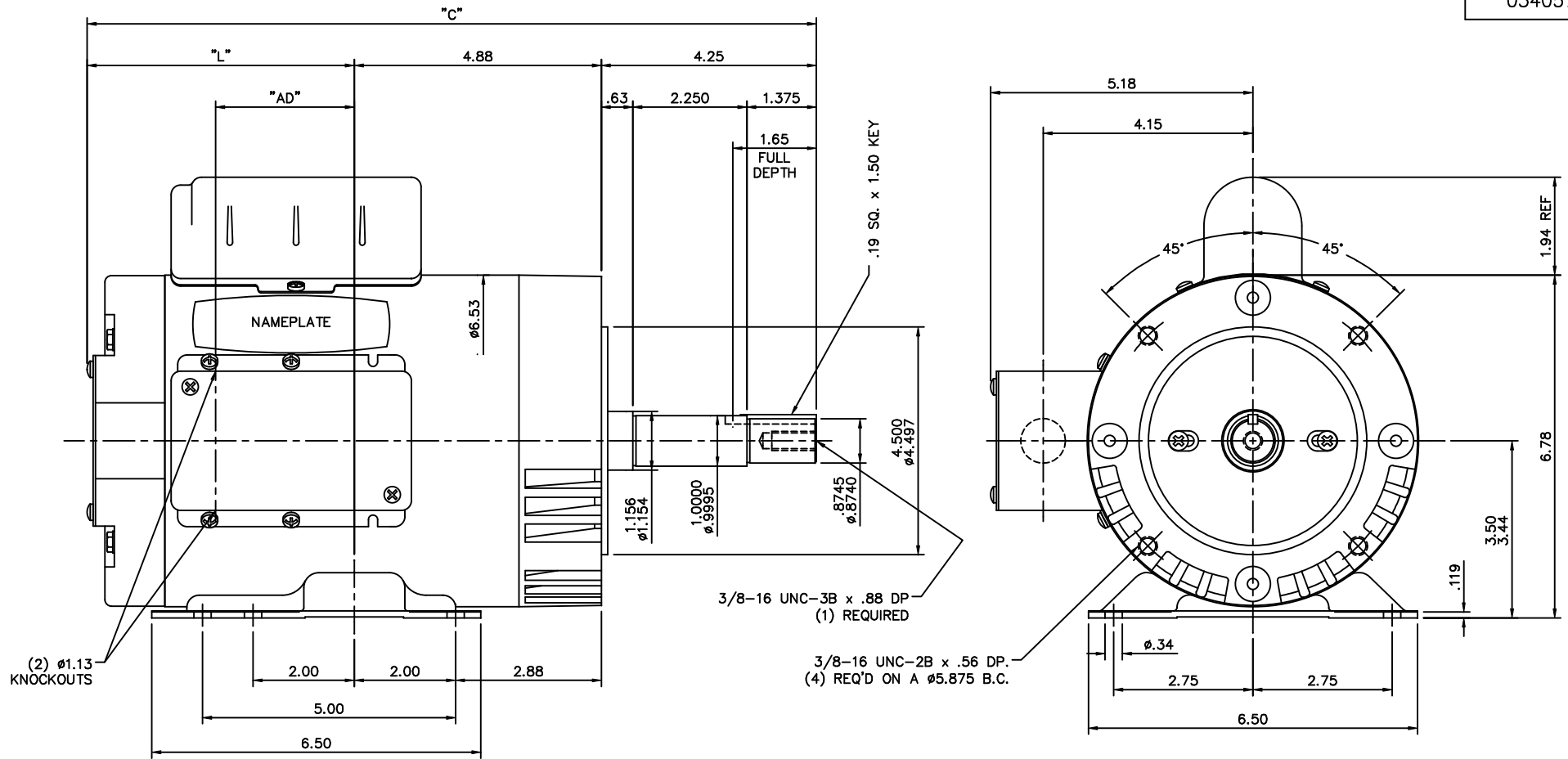


### Nameplate Specifications

Output HP	<b>1 Hp</b>	Output KW	<b>0.75 kW</b>
Frequency	<b>60 Hz</b>	Voltage	<b>115/208-230 V</b>
Current	<b>12.8/6.4 A</b>	Speed	<b>1740 rpm</b>
Service Factor	<b>1.15</b>	Phase	<b>1</b>
Efficiency	<b>75 %</b>	Duty	<b>Continuous</b>
Insulation Class	<b>B</b>	Design Code	<b>L</b>
KVA Code	<b>K</b>	Frame	<b>143JM</b>
Enclosure	<b>Drip Proof</b>	Overload Protector	<b>No</b>
Ambient Temperature	<b>40 °C</b>	Drive End Bearing Size	<b>6206</b>
Opp Drive End Bearing Size	<b>6203</b>	UL	<b>Recognized</b>
CSA	<b>Y</b>	CE	<b>N</b>
IP Code	<b>22</b>		

### Technical Specifications

Electrical Type	<b>Capacitor Start Induction Run</b>	Starting Method	<b>Across The Line</b>
Poles	<b>4</b>	Rotation	<b>Selective Counterclockwise</b>
Mounting	<b>Rigid base</b>	Motor Orientation	<b>HORIZONTAL</b>
Drive End Bearing	<b>BALL</b>	Opp Drive End Bearing	<b>BALL</b>
Frame Material	<b>Rolled Steel</b>	Shaft Type	<b>JM</b>
Overall Length	<b>13.91 in</b>	Frame Length	<b>6.50 in</b>
Shaft Diameter	<b>0.875 in</b>	Shaft Extension	<b>4.28 in</b>
Assembly/Box Mounting	<b>F1 ONLY</b>		
Outline Drawing	<b>034057-F143JM</b>	Connection Diagram	<b>005005.01</b>



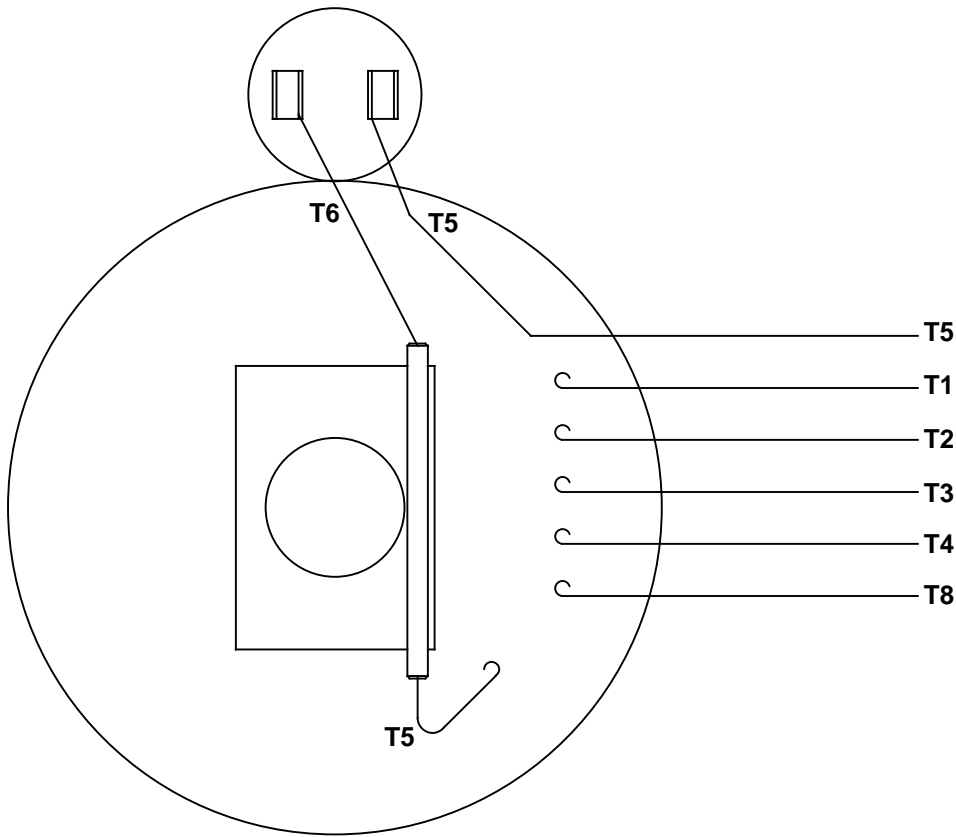
MAXIMUM FACE RUNOUT .004 TIR  
 MAXIMUM PILOT ECCENTRICITY .004 TIR  
 PERMISSIBLE SHAFT RUNOUT TO BE .002 TIR  
 TAPPED HOLE IN SHAFT ±.003 CENTERLINE OF SHAFT

FRAME	"C"	"L"	"AD"
E143JM	13.41	4.28	1.74
F143JM	13.91	4.78	2.24
G143JM	14.41	5.28	2.74
H143JM	14.91	5.78	3.24
J143JM	15.41	6.28	3.74
K143JM	15.91	6.78	4.24

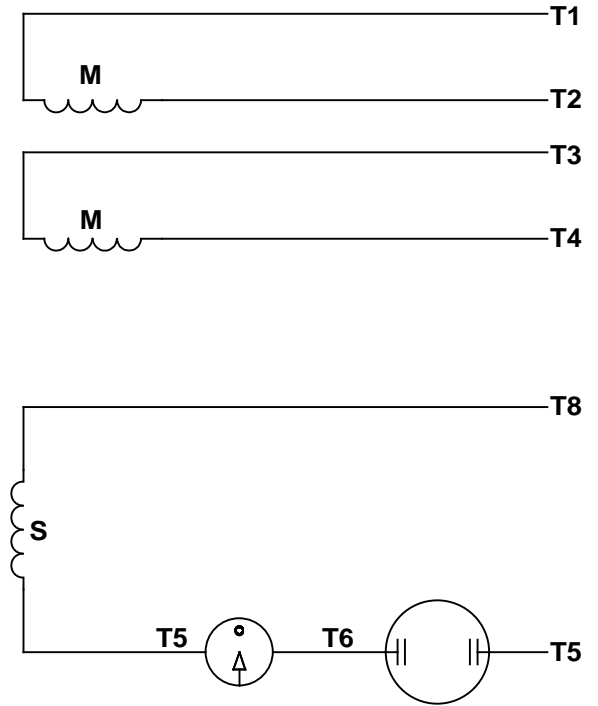
				TOLERANCES UNLESS OTHERWISE SPECIFIED			LEESON ELECTRIC CORPORATION		
				DEC.	INCHES	METRIC	DRAWN	PG 4/1/92	TITLE
O2 REMOVED DRIP COVER PER ECO #01-813				KMM 6/19/01	RDW	.XX ±.1 ±.25	APPR. RPB 4/1/92	OUTLINE - 143JM FRAME	OPEN DRIP PROOF - RIGID "C" FACE
D1 KEY WAS 1.00"				KMM 08/02/95	KZ	.XXX ±.005 ±.127	R.F.P.	MAT'L.	
NO. REVISION				BY & DATE	CHK'D.	.XXXX ±.0005 ±.0127	SCALE	1=2	
THIS DRAWING IN DESIGN AND DETAIL IS OUR PROPERTY AND MUST NOT BE USED EXCEPT IN CONNECTION WITH OUR WORK ALL RIGHTS OF DESIGN AND INVENTION ARE RESERVED THIS IS AN ELECTRONICALLY GENERATED DOCUMENT - DO NOT SCALE THIS PRINT				FRACTIONS	±1/64	REF.	033482	FINISH	
				ANGLES	±1/2°	FMF	143C11DK1	STANDARD	02

```
ERROR: syntaxerror
OFFENDING COMMAND: --nostringval--
STACK:
/im
-savelevel-
```

VIEW FROM OUTSIDE OF MOTOR AT SWITCH END.



LINE LEADS



RBC PROPRIETARY AND CONFIDENTIAL INFORMATION  
 This document is the property of REGAL BELOIT CORPORATION ("RBC") including its subsidiaries and divisions and contains proprietary information of RBC. This document is loaned on the express condition that neither it nor the information contained therein shall be disclosed to others without the express written consent of RBC, and that the information shall be used by the recipient only as approved expressly by RBC. This document shall be returned to RBC upon its request. This document may be subject to certain restrictions under U.S. export control laws and regulations.

	ROTATION FACING LEAD END	L1	L2	JOIN
HIGH VOLT	C.C.W.	T1	T4, T5	T2, T3, T8
	C.W.	T1	T4, T8	T2, T3, T5
LOW VOLT	C.C.W.	T1, T3, T8	T2, T4, T5	-----
	C.W.	T1, T3, T5	T2, T4, T8	-----

--	REDRAWN IN SOLIDWORKS	VJB 02/16/11	TOLERANCES UNLESS SPECIFIED		<b>LEESON</b>	ELECTRIC MOTORS GEARMOTORS AND DRIVES	DRAWN ADH 08/06/73
27	UPDATED TO CURRENT STANDARDS	DBT 05/27/97	DEC	INCHES			CHK
26	ADDED PAGE 32 (114787) & PAGE 33 (114788)	KAZ 12/20/95	PG	.X ±.1	TITLE EXTERNAL WIRING DIAGRAM TYPE "C" W/O PROTECTOR		APPR JCW 03/09/79
25	ADDED PAGE 31	KAZ 04/19/95	DL	.XX ±.01			SCALE 1:1
24	ADDED PAGES 29 & 30	KMM 03/30/95	DL	.XXX ±.005	MAT'L DECAL - 004012		REF FIG 2-23 C4A
23	ADDED PAGE 28	KMM 01/27/95		.XXXX ±.0005			FMF MGI-2.4B
NO	REVISION	BY & DATE	CHK	ANG ±1/2°	FINISH	PAGE	OF
THIRD ANGLE PROJECTION			RFP	PREV	SIZE	DRAWING NO	
			NETWORK FILE NAME 00500501		<b>A</b>	<b>005005-01</b>	
							REV
							--



**LEESON ELECTRIC CORPORATION**  
 TYPICAL PERFORMANCE CURVE for AC MOTOR

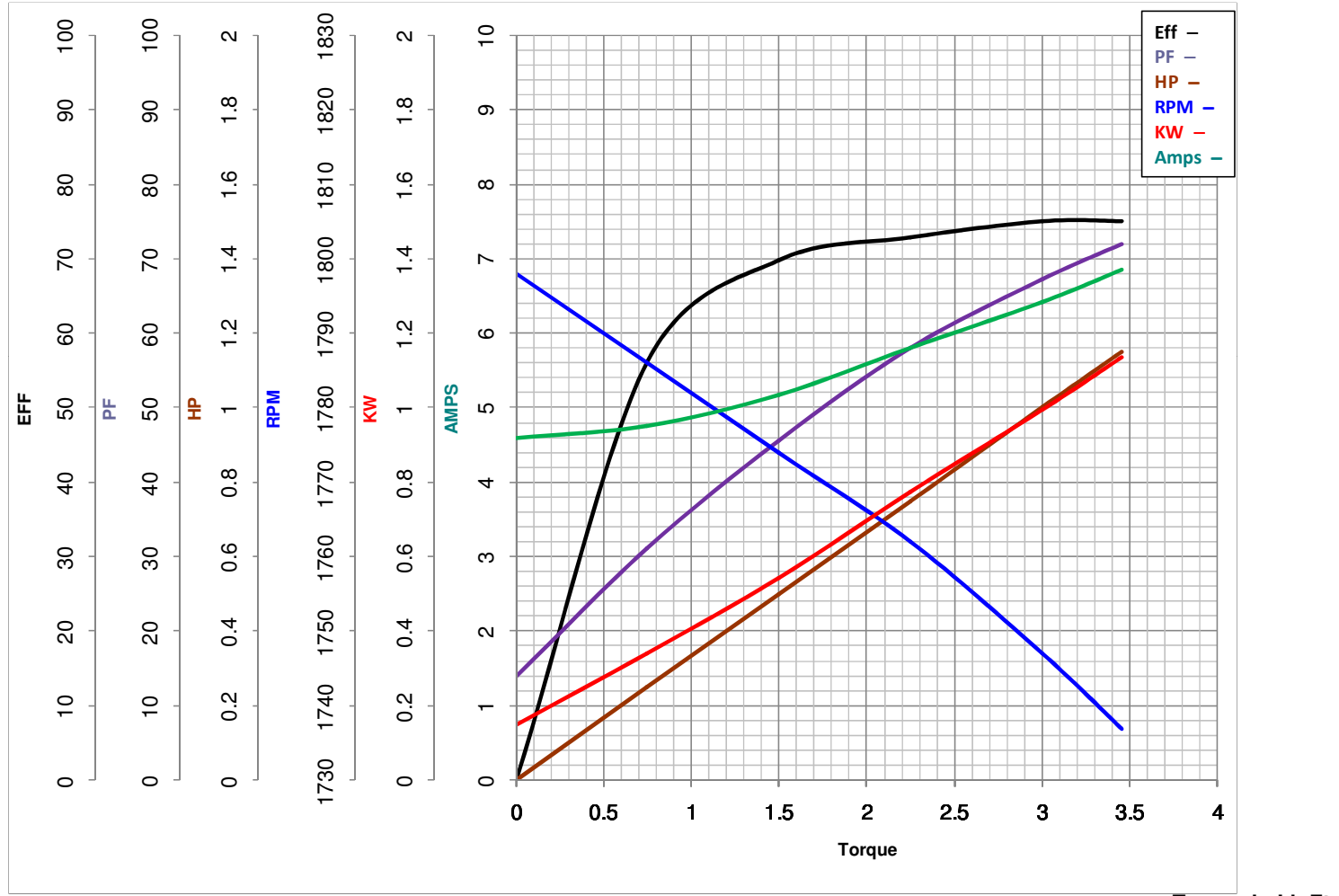
Curve at 230 Volts HP 1.00 PHASE 1  
60 HZ  
1 HP VOLTS 115/208-230

Model No 120996.00

Catalog No 120996.00

HZ 60

RPM 1740



Torque in Lb.Ft

FL TORQUE 3 Lb.Ft  
 BD TORQUE 6.9 Lb.Ft  
 LR TORQUE 9 Lb.Ft

FL AMPS 12.8/6.4  
 PU TORQUE 6.7 Lb.Ft  
 LR AMPS 33

WINDING C634256-3

Date 3/16/2018