

PRODUCT INFORMATION PACKET



Model No: C143C34FB5G

Catalog No: 120925.00

..1

1/2HP..3450RPM.143.TEFC.115/230V.1PH.60HZ.CONT.40C.1.0SF.ROUND.C143C34FB5G.....WOODWORTH KING.NOT.....

Other Purpose



Regal and Leeson are trademarks of Regal Beloit Corporation or one of its affiliated companies.

©2018 Regal Beloit Corporation, All Rights Reserved. MC017097E





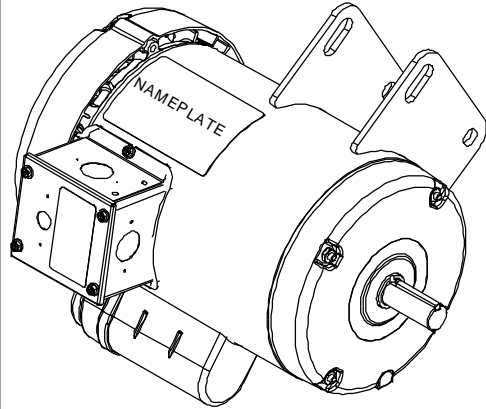
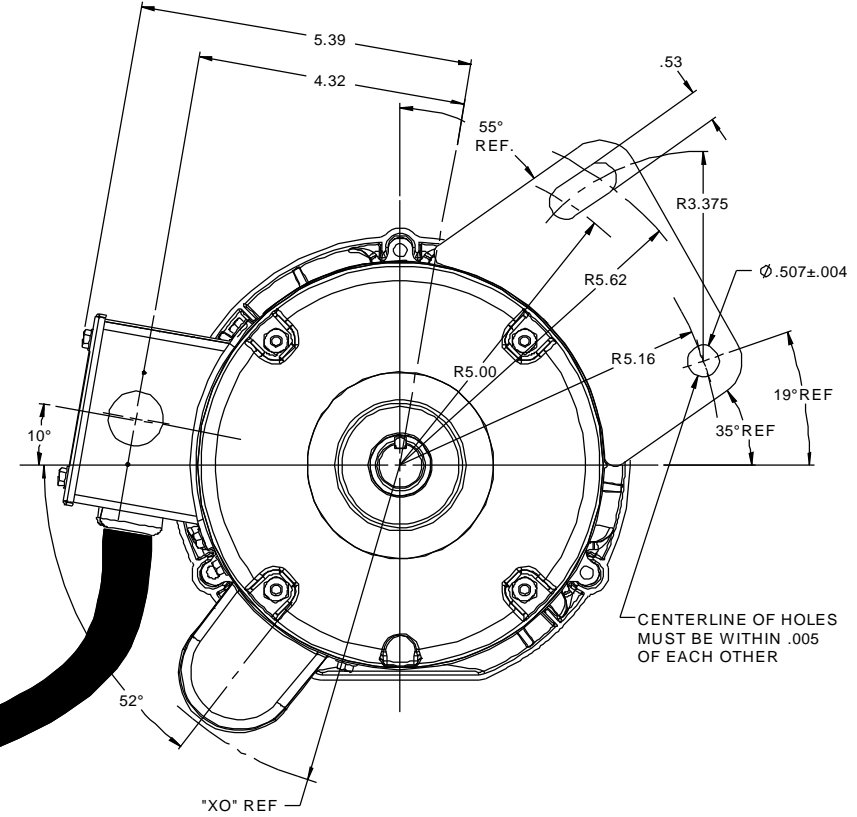
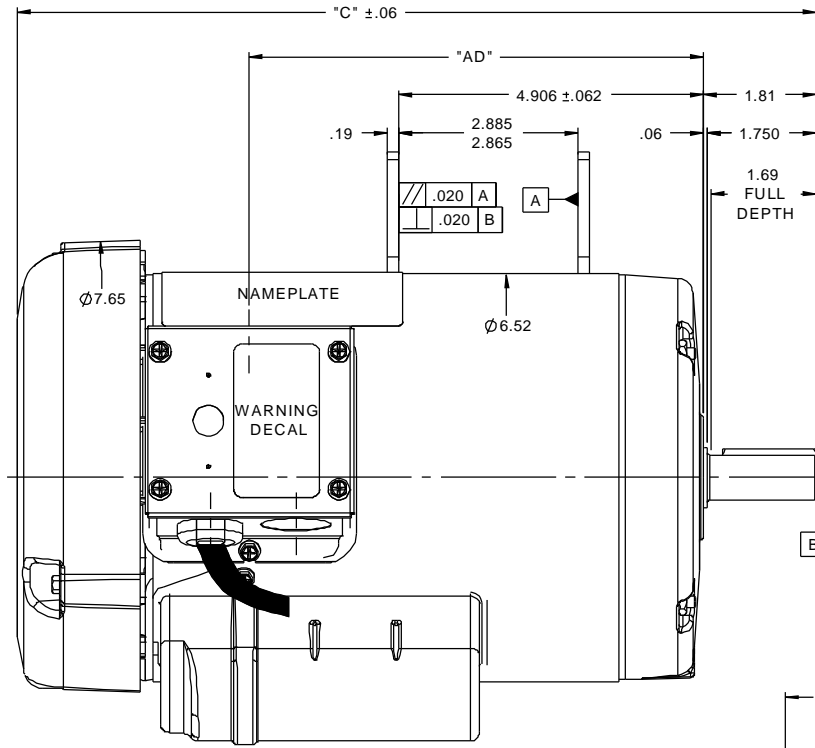
Nameplate Specifications

Output HP	1.50 Hp	Output KW	1.1 kW
Frequency	60 Hz	Voltage	115/230 V
Current	20.0/10.0 A	Speed	3450 rpm
Service Factor	1	Phase	1
Efficiency	69 %	Duty	Continuous
Insulation Class	B	Design Code	L
KVA Code	L	Frame	143Y
Enclosure	Totally Enclosed Fan Cooled	Overload Protector	No
Ambient Temperature	40 °C	Drive End Bearing Size	6205
Opp Drive End Bearing Size	6203	UL	Recognized
CSA	Y	CE	N
IP Code	43		

Technical Specifications

Electrical Type	Capacitor Start Induction Run	Starting Method	Across The Line
Poles	2	Rotation	Fixed Counterclockwise
Mounting	Round	Motor Orientation	HORIZONTAL
Drive End Bearing	BALL	Opp Drive End Bearing	BALL
Frame Material	Rolled Steel	Shaft Type	Single Special Extension
Overall Length	12.86 in	Frame Length	7.50 in
Shaft Diameter	0.750 in	Shaft Extension	1.75 in
Assembly/Box Mounting	F1 ONLY		
Outline Drawing	028924-750B	Connection Diagram	005005.01

RBC PROPRIETARY AND CONFIDENTIAL INFORMATION
 This document is the property of REGAL BELOIT CORPORATION ("RBC") including its subsidiaries and divisions and contains proprietary information of RBC. This document is loaned on the express condition that neither it nor the information contained therein shall be disclosed to others without the express written consent of RBC, and that the information shall be used by the recipient only as approved expressly by RBC. This document shall be returned to RBC upon its request. This document may be subject to certain restrictions under U.S. export control laws and regulations.



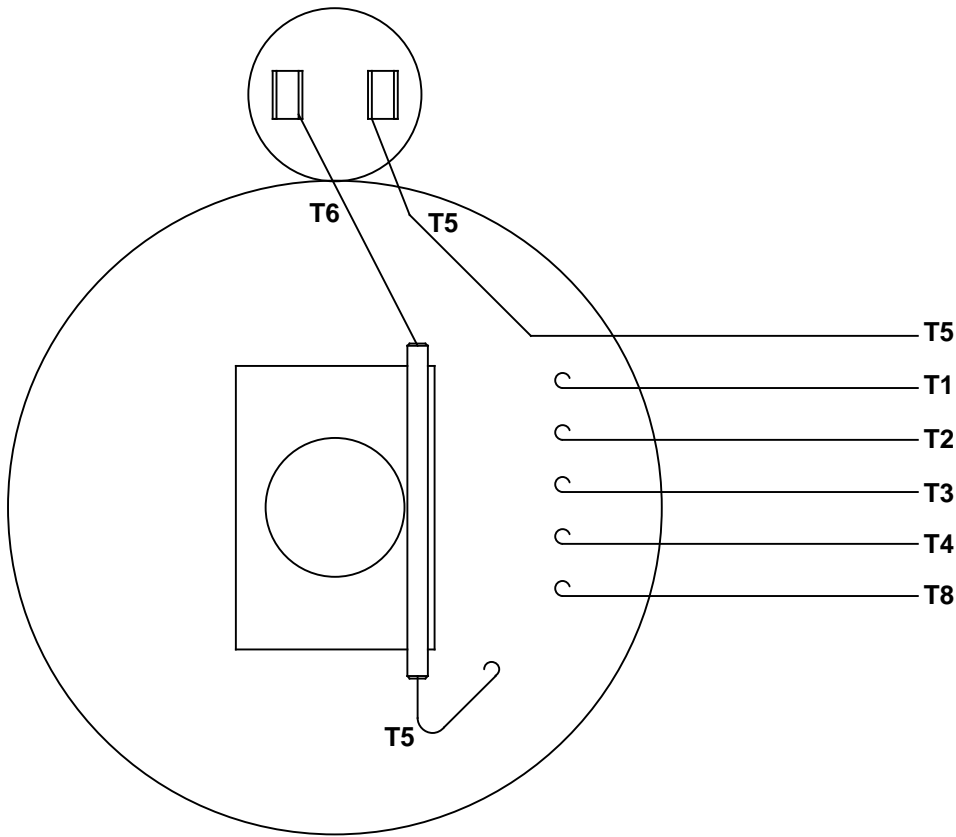
DASH NO.	"C"	"AD"	CAP DASH.	"XO"
700	12.36	6.74	A	5.17
750	12.86	7.24	B	5.55
			C	5.81

#14-3 TYPE SJOW/SJOOW
 300 VOLT CORD
 50" LONG MIN

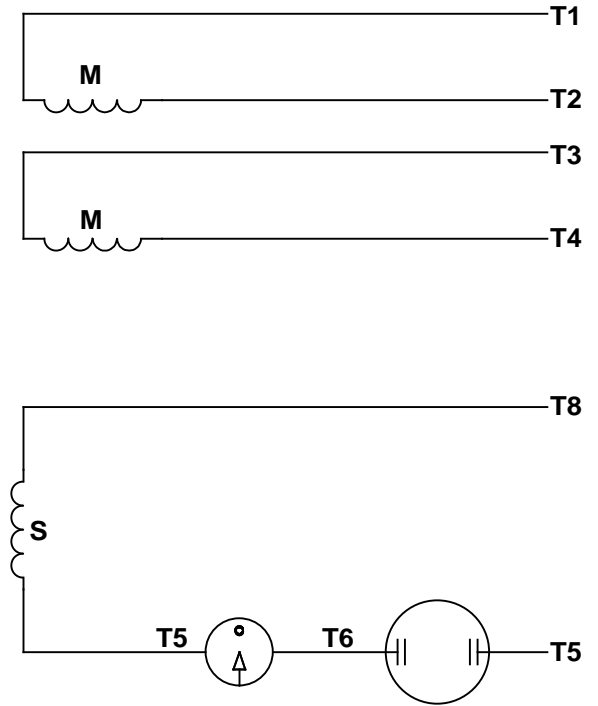
NOTES:
 GASKETS THROUGHOUT

TOLERANCES UNLESS SPECIFIED		DEC INCHES		TITLE	ELECTRIC MOTORS GEARMOTORS AND DRIVES	DRAWN GRB 12/08/08
XX	±.03	XXX	±.005			
01	DIMENSIONED BASE HOLE ECR 0041996	GS	8/26/13	TEFC - SPECIAL MOUNT	APPR DJ 12/08/08	SCALE 1:2
	REVISION	BY & DATE	CHK LANG ±.730"	MAT'L CONTRACTOR'S SAW	REF 028635	FMF 120925.00
	THIRD ANGLE PROJECTION	RFP 12/08/08	PREV	FINISH	PAGE 1 OF 1	REV
		NETWORK FILE NAME 028924	SIZE B	DRAWING NO 028924		01

VIEW FROM OUTSIDE OF MOTOR AT SWITCH END.




LINE LEADS



RBC PROPRIETARY AND CONFIDENTIAL INFORMATION
 This document is the property of REGAL BELOIT CORPORATION ("RBC") including its subsidiaries and divisions and contains proprietary information of RBC. This document is loaned on the express condition that neither it nor the information contained therein shall be disclosed to others without the express written consent of RBC, and that the information shall be used by the recipient only as approved expressly by RBC. This document shall be returned to RBC upon its request. This document may be subject to certain restrictions under U.S. export control laws and regulations.

	ROTATION FACING LEAD END	L1	L2	JOIN
HIGH VOLT	C.C.W.	T1	T4, T5	T2, T3, T8
	C.W.	T1	T4, T8	T2, T3, T5
LOW VOLT	C.C.W.	T1, T3, T8	T2, T4, T5	-----
	C.W.	T1, T3, T5	T2, T4, T8	-----

--	REDRAWN IN SOLIDWORKS	VJB 02/16/11	TOLERANCES UNLESS SPECIFIED		 ELECTRIC MOTORS GEARMOTORS AND DRIVES	DRAWN ADH 08/06/73
27	UPDATED TO CURRENT STANDARDS	DBT 05/27/97	DEC	INCHES		CHK
26	ADDED PAGE 32 (114787) & PAGE 33 (114788)	KAZ 12/20/95	PG	.X ±.1		APPR JCW 03/09/79
25	ADDED PAGE 31	KAZ 04/19/95	DL	.XX ±.01	TITLE EXTERNAL WIRING DIAGRAM	SCALE 1:1
24	ADDED PAGES 29 & 30	KMM 03/30/95	DL	.XXX ±.005	TYPE "C" W/O PROTECTOR	REF FIG 2-23 C4A
23	ADDED PAGE 28	KMM 01/27/95		.XXXX ±.0005	MAT'L DECAL - 004012	FMF MGI-2.4B
NO	REVISION	BY & DATE	CHK	ANG ±1/2°	FINISH	PAGE OF
THIRD ANGLE PROJECTION			RFP	PREV	SIZE	DRAWING NO
			NETWORK FILE NAME 00500501		A	005005-01
						REV
						--



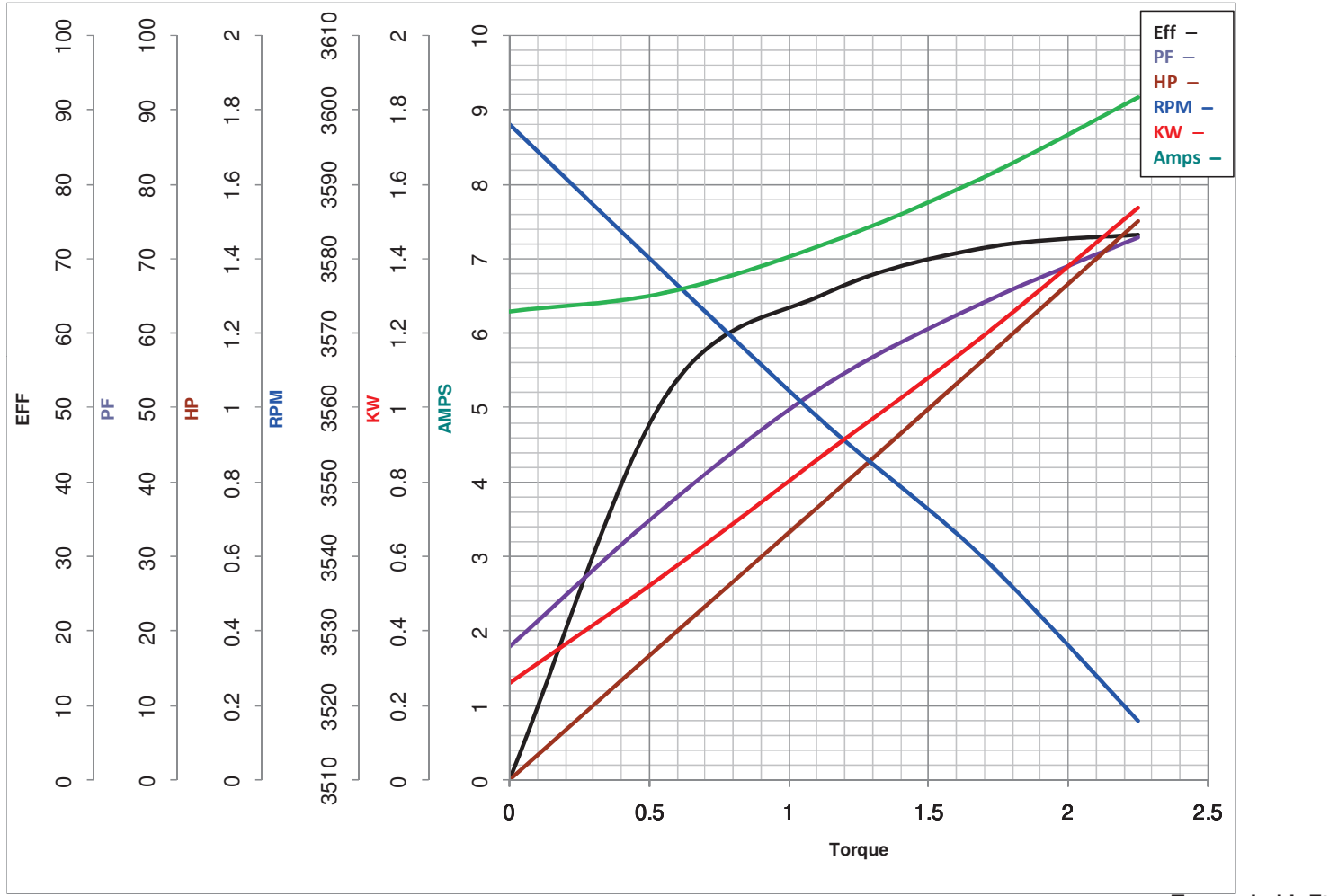
LEESON ELECTRIC CORPORATION
 TYPICAL PERFORMANCE CURVE for AC MOTOR

Model No 120925.00

Catalog No 120925.00

Curve at 230 Volts HP 1.50 PHASE 1
60 HZ
1.5 HP VOLTS 115/230

HZ 60 RPM 3450



Torque in Lb.Ft

FL TORQUE	<u>2.25</u>	Lb.Ft	FL AMPS	<u>20/10</u>	
BD TORQUE	<u>7.5</u>	Lb.Ft	PU TORQUE	<u>5.5</u>	Lb.Ft
LR TORQUE	<u>6</u>	Lb.Ft	LR AMPS	<u>60</u>	
WINDING	C632245-3		Date	<u>4/23/2018</u>	

Uncontrolled Copy