

PRODUCT INFORMATION PACKET



Model No: C145K17FK13C

Catalog No: 121681.00

1.5HP..1740RPM.145.TEFC.115/208-230V.1PH.60HZ.CONT.NOT.40C.1.0SF.RIGID C.GENERAL
PURPOSE.C145K17FK13C

Totally Enclosed Fan Cooled (TEFC)



Regal and Leeson are trademarks of Regal Beloit Corporation or one of its affiliated companies.

©2018 Regal Beloit Corporation, All Rights Reserved. MC017097E



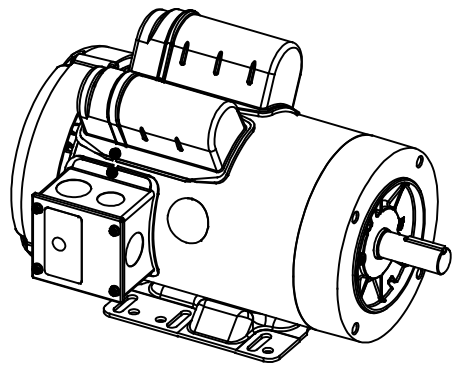
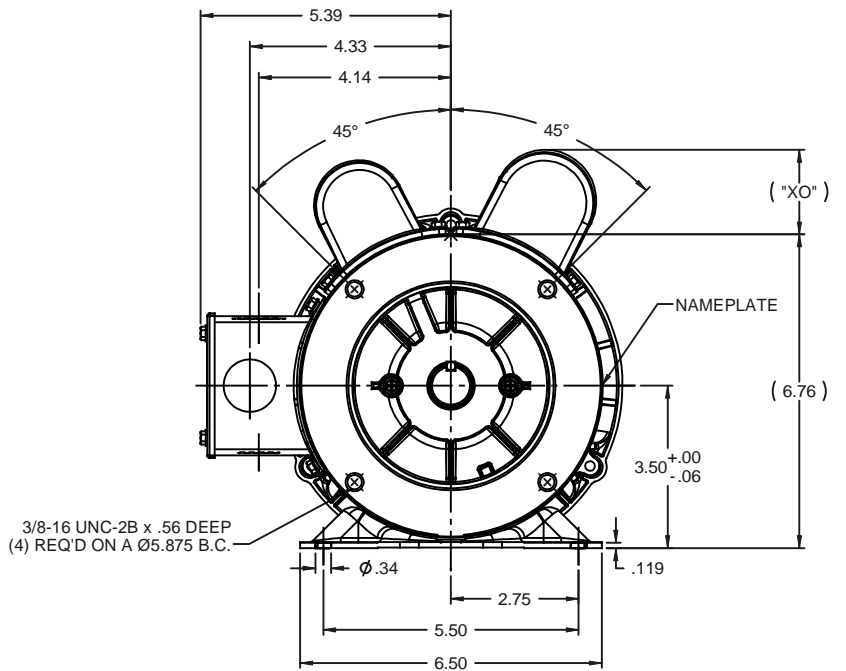
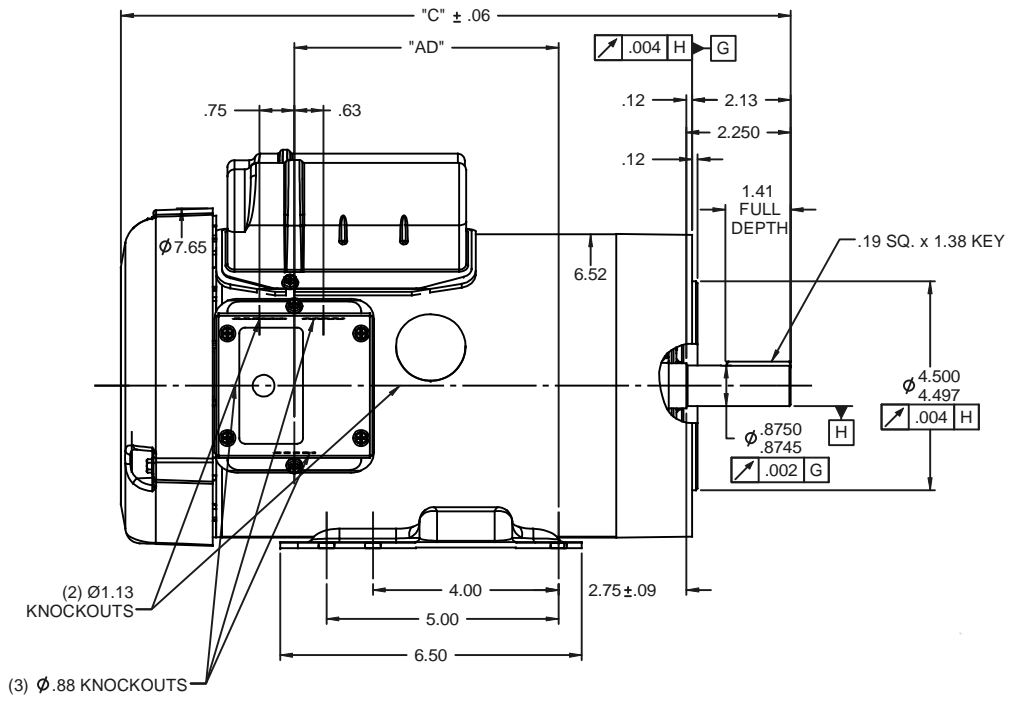


Nameplate Specifications

| | | | |
|----------------------------|------------------------------------|------------------------|----------------------|
| Output HP | 1.50 Hp | Output KW | 1.1 kW |
| Frequency | 60 Hz | Voltage | 115/208-230 V |
| Current | 17.2/8.8-8.6 A | Speed | 1725 rpm |
| Service Factor | 1 | Phase | 1 |
| Efficiency | 79 % | Duty | Continuous |
| Insulation Class | B | Design Code | L |
| KVA Code | J | Frame | 145 C |
| Enclosure | Totally Enclosed Fan Cooled | Overload Protector | No |
| Ambient Temperature | 40 °C | Drive End Bearing Size | 6205 |
| Opp Drive End Bearing Size | 6203 | UL | Recognized |
| CSA | Y | CE | N |
| IP Code | 43 | | |

Technical Specifications

| | | | |
|-----------------------|--------------------------------------|-----------------------|-----------------------------------|
| Electrical Type | Capacitor Start Capacitor Run | Starting Method | Across The Line |
| Poles | 4 | Rotation | Selective Counterclockwise |
| Mounting | Rigid base | Motor Orientation | HORIZONTAL |
| Drive End Bearing | BALL | Opp Drive End Bearing | BALL |
| Frame Material | Rolled Steel | Shaft Type | NEMA 56 |
| Overall Length | 13.43 in | Frame Length | 7.50 in |
| Shaft Diameter | 0.875 in | Shaft Extension | 2.25 in |
| Assembly/Box Mounting | F1 ONLY | | |
| Outline Drawing | 028800-750B | Connection Diagram | 005054.01 |



| DASH NO. | "C" | "AD" | CAP DASH | "XO" |
|----------|-------|------|----------|------|
| 700 | 12.93 | 4.19 | A | 1.15 |
| 750 | 13.43 | 4.69 | B | 1.60 |
| 800 | 13.93 | 5.19 | C | 1.82 |
| 850 | 14.43 | 5.69 | | |

NOTE:
1) GASKETS THROUGHOUT

| REVISION | | BY & DATE | CHK | ANG | ±1/2° | FINISH | SIZE | DRAWING NO | REV |
|------------------------|--|-----------|-----|-----|-------|-------------------|------|------------|-----|
| THIRD ANGLE PROJECTION | | | RFP | | | PREV | B | 028800 | |
| | | | | | | NETWORK FILE NAME | | | |

| TOLERANCES UNLESS SPECIFIED | DEC | INCHES | TITLE | SCALE |
|-----------------------------|--------|--------|-----------------------|-----------|
| x | ±.1 | | OUTLINE - 145TC FRAME | 3:8 |
| .xx | ±.03 | | TEFC - RIGID "C" FACE | OL120274 |
| .xxx | ±.005 | | | 120274.00 |
| .xxxX | ±.0005 | | | |



**ELECTRIC MOTORS
GEARMOTORS
AND DRIVES**

DRAWN KMM 09/27/07

CHK

APPR

SCALE 3:8

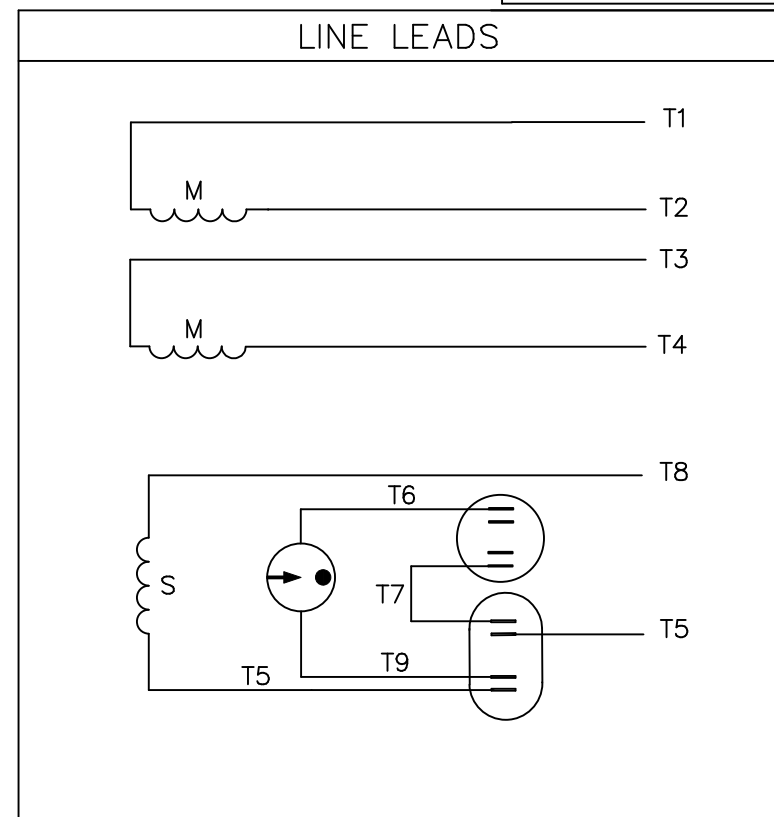
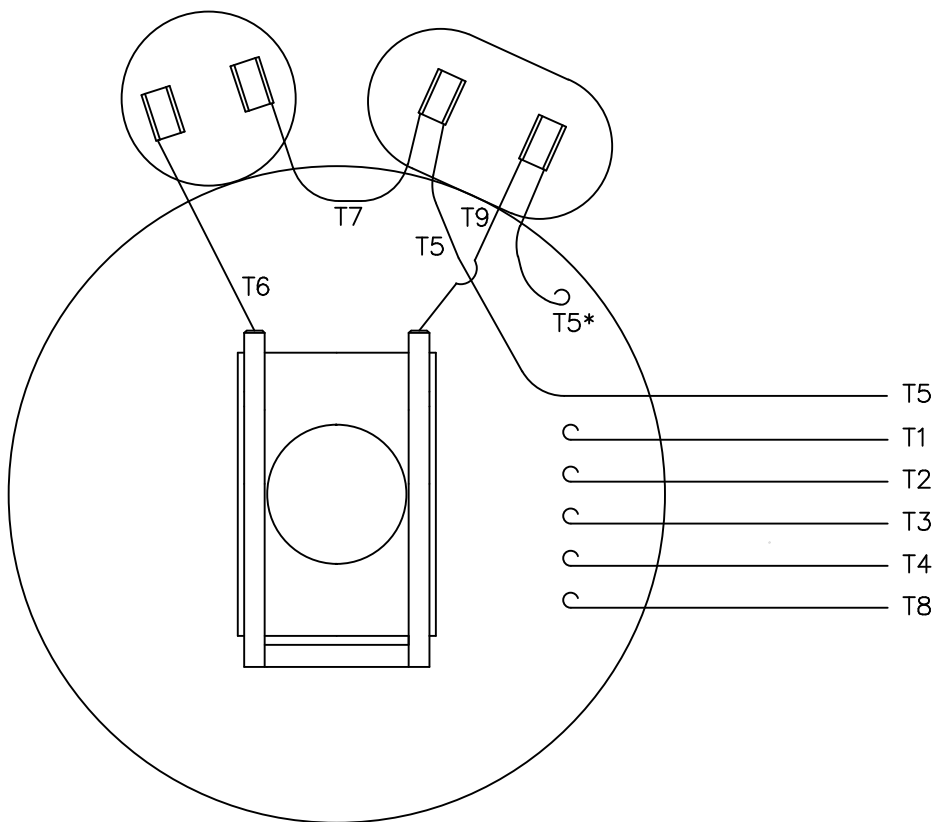
REF OL120274

FMF 120274.00

PAGE OF

REV

VIEW FROM OUTSIDE OF MOTOR AT SWITCH END.



| | ROTATION FACING LEAD END | L1 | L2 | JOIN |
|--------------|--------------------------------|-------------|-------------|-------------|
| HIGH VOLT | C.C.W. | T1 | T4 T5 | T2,T3 T8 |
| | C.W. | T1 | T4 T8 | T2,T3 T5 |
| LOW VOLT | C.C.W. | T1 T3,T8 | T2,T4 T5 | |
| | C.W. | T1,T3 T5 | T2,T4 T8 | |

* THIS LEAD MAY BE WHITE

| | | TOLERANCES UNLESS SPECIFIED | | LEESON ELECTRIC MOTORS GEARMOTORS AND DRIVES | | DRAWN JRW 09/27/74 | | | |
|--|-----------------------------------|--------------------------------|----------|--|--------------|---|--------------|-------------|------|
| | | DEC. | INCHES | | | CHK | TEM | | |
| | | .X | ±.1 | | | APPD | 10/11/74 | | |
| 11 | ALTERNATE T5 LEAD MARKING WAS RED | RLW | 8/6/02 | .XX | ±.01 | TITLE | SCALE 1=1 | | |
| 10 | ADDED ALTERNATE T5 LEAD MARKING | RLW | 6/5/02 | KH | .XXX ±.005 | EXT. WIRING DIAGRAM TYPE "K" W/O PROTECTOR | REF A-005053 | | |
| 09 | REDRAWN TO CAD | DBT | 05/28/97 | | .XXXX ±.0005 | MAT'L. DECAL-004012 | FMF W-K6343 | | |
| NO. | REVISION | BY & DATE | CHK | ANG | ±1/2" | FINISH | PREV | | |
| THIS DRAWING IN DESIGN AND DETAIL IS OUR PROPERTY AND MUST NOT BE USED EXCEPT IN CONNECTION WITH OUR WORK ALL RIGHTS OF DESIGN AND INVENTION ARE RESERVED THIS IS AN ELECTRONICALLY GENERATED DOCUMENT - DO NOT SCALE THIS PRINT | | | | RFP | CAD FILE | 00505401 | SIZE | DRAWING NO. | REV. |
| | | | | DIST | BRF-NLV | | A | 005054-01 | 11 |

