

PRODUCT INFORMATION PACKET



Model No: C145K34FB12E

Catalog No: 120728.00

3HP..3450RPM.145.TEFC./230V.1PH.60HZ.CONT.NOT.40C.1SF.ROUND.WOODWORKING.C145K34FB12
E

Other Purpose



Regal and Leeson are trademarks of Regal Beloit Corporation or one of its affiliated companies.

©2018 Regal Beloit Corporation, All Rights Reserved. MC017097E





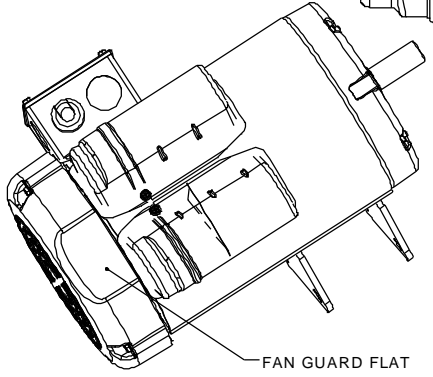
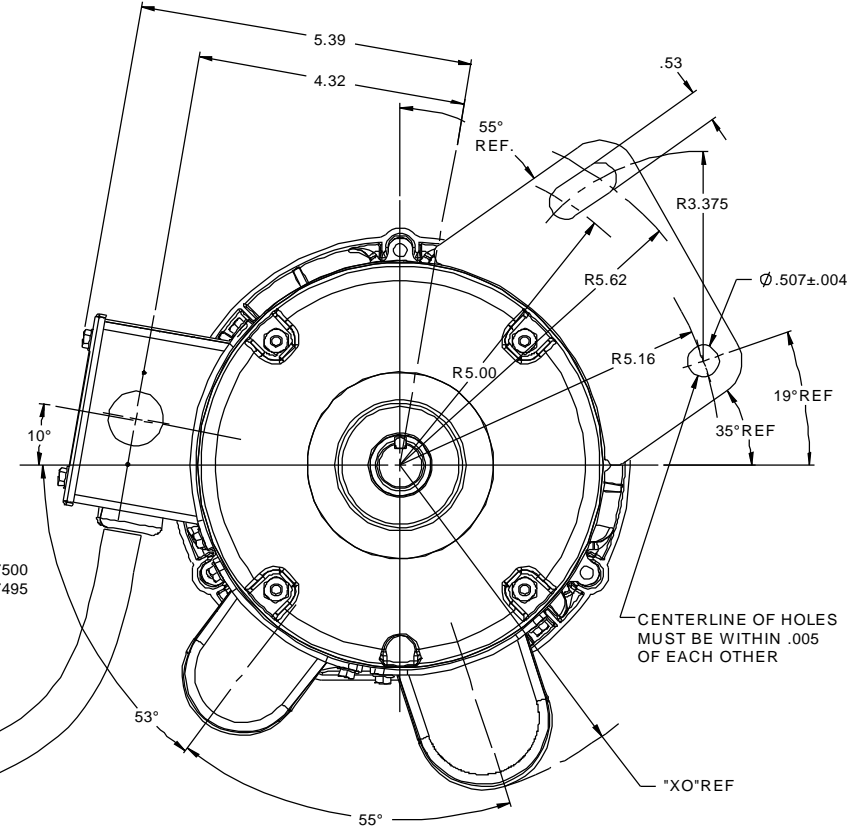
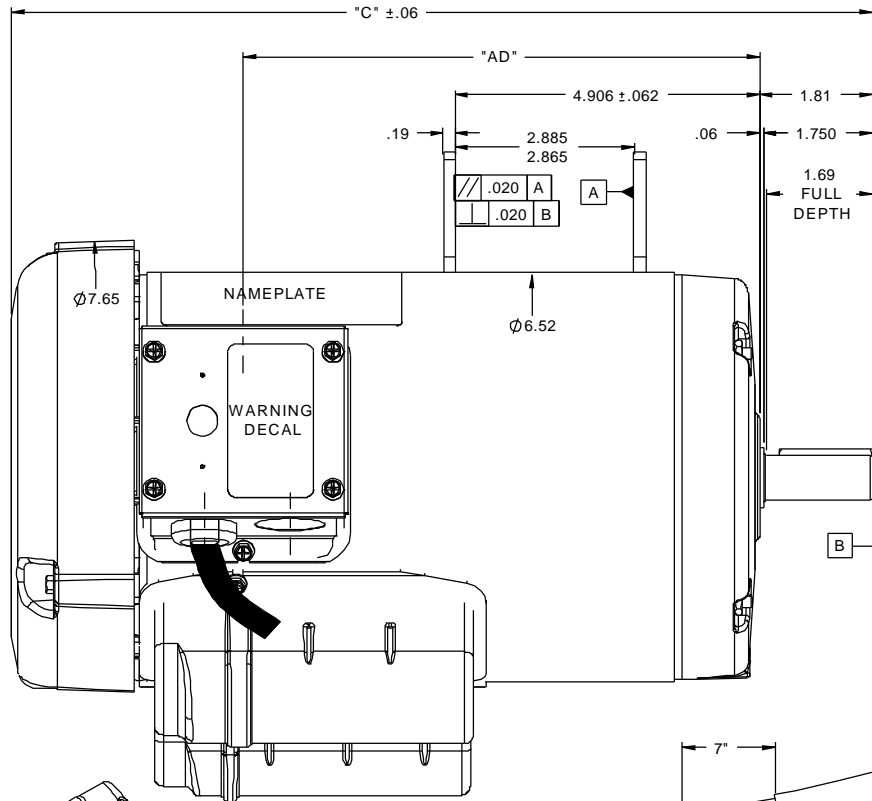
Nameplate Specifications

Output HP	3 Hp	Output KW	2.2 kW
Frequency	60 Hz	Voltage	230 V
Current	13.0 A	Speed	3450 rpm
Service Factor	1	Phase	1
Efficiency	81.5 %	Duty	Continuous
Insulation Class	F	Design Code	L
KVA Code	J	Frame	145Y
Enclosure	Totally Enclosed Fan Cooled	Overload Protector	No
Ambient Temperature	40 °C	Drive End Bearing Size	6205
Opp Drive End Bearing Size	6203	UL	Recognized
CSA	Y	CE	N
IP Code	43		

Technical Specifications

Electrical Type	Capacitor Start Capacitor Run	Starting Method	Across The Line
Poles	2	Rotation	Fixed Counterclockwise
Mounting	Round	Motor Orientation	HORIZONTAL
Drive End Bearing	BALL	Opp Drive End Bearing	BALL
Frame Material	Rolled Steel	Shaft Type	Single Special Extension
Overall Length	12.86 in	Frame Length	8.50 in
Shaft Diameter	0.750 in	Shaft Extension	1.75 in
Assembly/Box Mounting	F1 ONLY		
Outline Drawing	028937-850C	Connection Diagram	005018.12

RBC PROPRIETARY AND CONFIDENTIAL INFORMATION
 This document is the property of REGAL BELOIT CORPORATION ("RBC") including its subsidiaries and divisions and contains proprietary information of RBC. This document is loaned on the express condition that neither it nor the information contained therein shall be disclosed to others without the express written consent of RBC, and that the information shall be used by the recipient only as approved expressly by RBC. This document shall be returned to RBC upon its request. This document may be subject to certain restrictions under U.S. export control laws and regulations.



#14-3 TYPE SJOW/SJOOW
 300 VOLT CORD
 50" LONG MIN

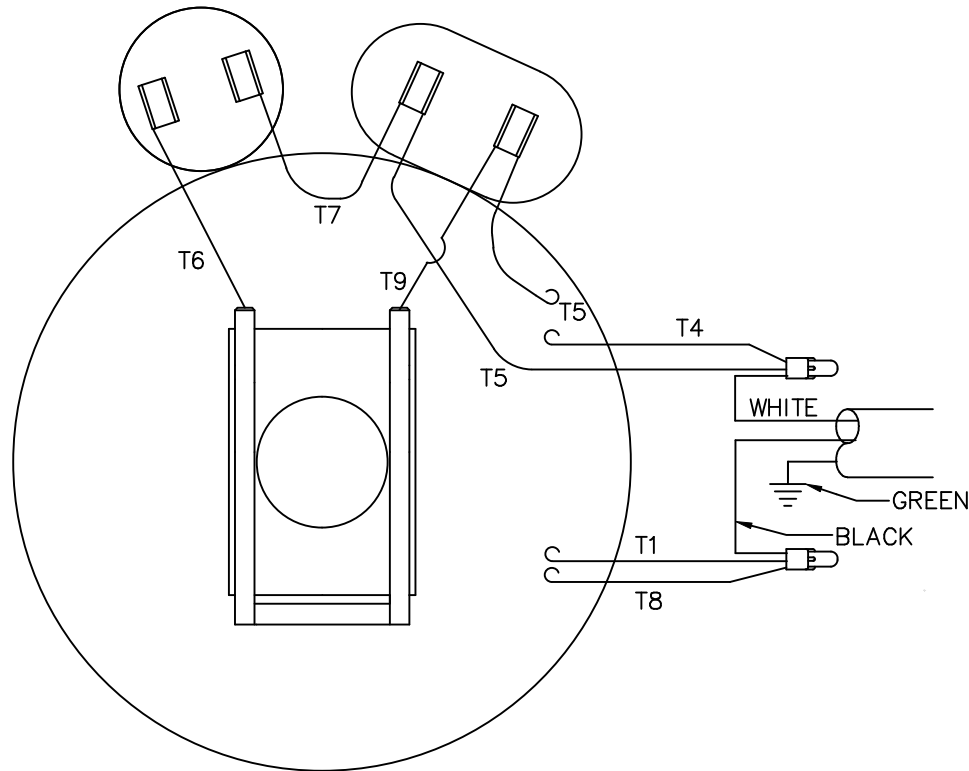
DASH NO.	"C"	"AD"	CAP DASH.	"XO"
800	12.36	6.74	A	5.17
850	12.86	7.24	B	5.55
			C	5.81

NOTES:
 GASKETS THROUGHOUT

TOLERANCES UNLESS SPECIFIED		DEC INCHES		TITLE	ELECTRIC MOTORS GEARMOTORS AND DRIVES	DRAWN DJ 12/22/08
XX	± .03	XXX	± .005			
01	DIMENSIONED BASE HOLE ECR 0041996	GS	8/26/13	TEFC - SPECIAL MOUNT		APPR VS 12/22/08
	REVISION	BY & DATE	CHK ANG ± 7'30"	MAT'L CONTRACTOR'S SAW		SCALE 1:2
			RFP 12/08/08	FINISH		REF 028587
			PREV			FMF 120728.00
			NETWORK FILE NAME 028937			PAGE 1 OF 1
	THIRD ANGLE PROJECTION					REV 01
					SIZE B	DRAWING NO 028937

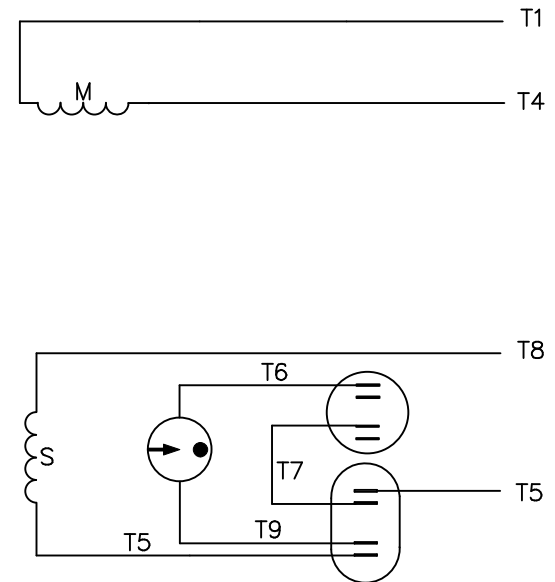


VIEW FROM OUTSIDE OF MOTOR AT SWITCH END.



C.C.W. L.E. ROTATION SHOWN ABOVE

LINE LEADS



ROTATION FACING LEAD END	L1 (BLACK)	L2 (WHITE)
C.C.W.	T1,T8	T4,T5
C.W.	T1,T5	T4,T8

				TOLERANCES UNLESS OTHERWISE SPECIFIED		LEESON ELECTRIC CORPORATION		
				DECIMALS				
				.00	± .01	DRAWN PG 06/01/83	TITLE	
				.000	± .005	CH'K'D. DLL 06/06/83	EXT. WIRING DIAGRAM TYPE "K" W/O PROTECTOR	
2	UPDATED TO CURRENT STANDARDS	DBT	06/16/97	.0000	± .0005	APPR. JCW 06/06/83	MAT'L. DECAL - 004018	
NO.	REVISION	BY	DATE	FRACTIONS	± 1/64	SCALE 1=1	BRF	
THIS DRAWING IN DESIGN AND DETAIL IS OUR PROPERTY AND MUST NOT BE USED EXCEPT IN CONNECTION WITH OUR WORK ALL RIGHTS OF DESIGN AND INVENTION ARE RESERVED				ANGLES	± 1/2°	REF.	FINISH	
				INCH/MM		FMF 145K34FB6	SIZE A	DRAWING NO. 005018-12

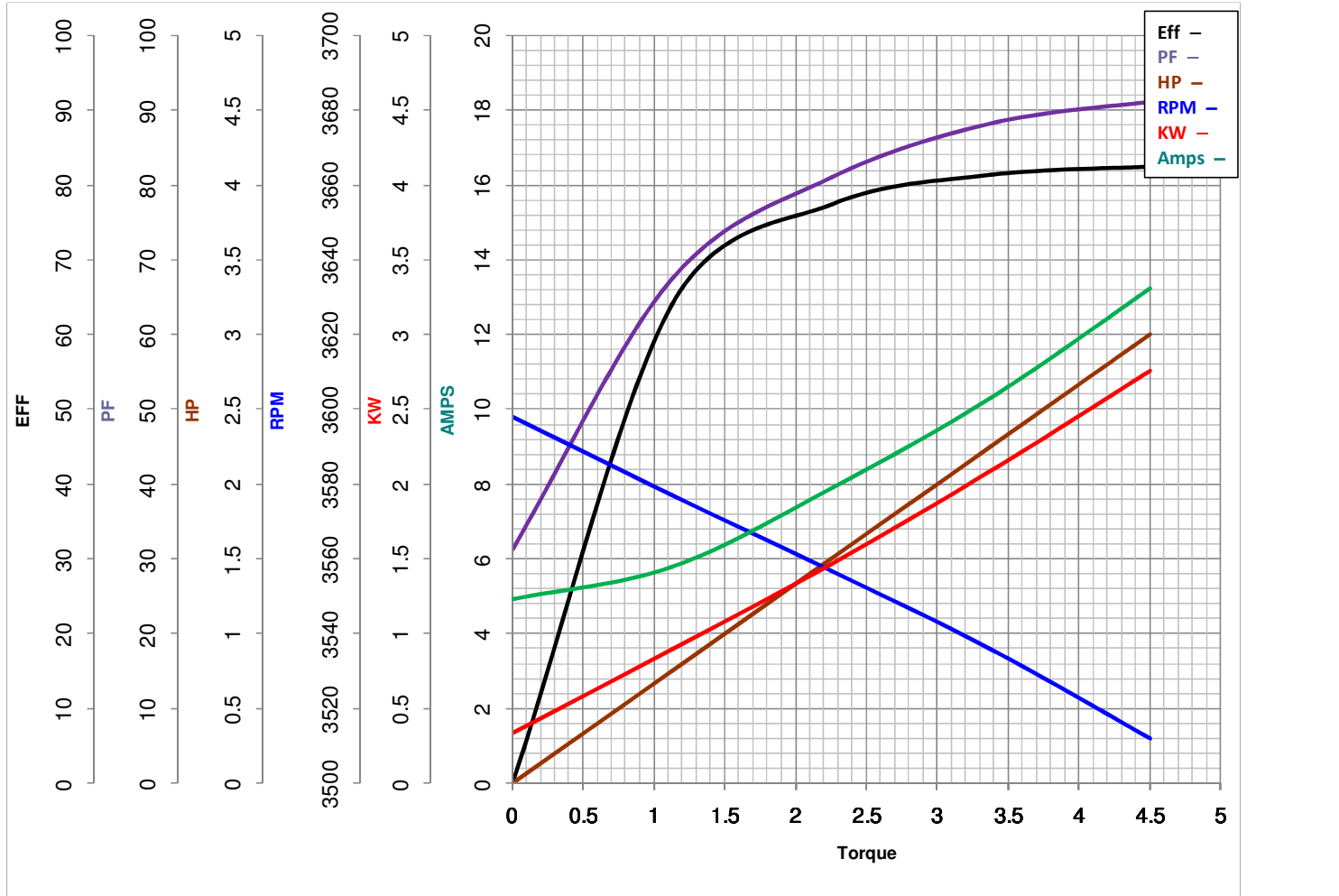


LEESON ELECTRIC CORPORATION
TYPICAL PERFORMANCE CURVE for AC MOTOR

Model No 120728.00

Catalog No 120728.00

Curve at 230 Volts HP 3.00 PHASE 1
60 HZ
3 HP VOLTS 230
HZ 60 RPM 3450



Torque in Lb.Ft

FL TORQUE 4.5 Lb.Ft
 BD TORQUE 13.5 Lb.Ft
 LR TORQUE 12.5 Lb.Ft

FL AMPS 13
 PU TORQUE 12.0 Lb.Ft
 LR AMPS 100

WINDING K632129-2

Date 4/23/2018