

PRODUCT INFORMATION PACKET



Model No: C145T17FB87A

Catalog No: 121934.00

..2HP..1745RPM.145T.TEFC.230/460V.3PH.60/50HZ.CONT.40C.1.25SF.RIGID.C145T17FB87A.....

Feather Picker



Regal and Leeson are trademarks of Regal Beloit Corporation or one of its affiliated companies.

©2018 Regal Beloit Corporation, All Rights Reserved. MC017097E





Nameplate Specifications

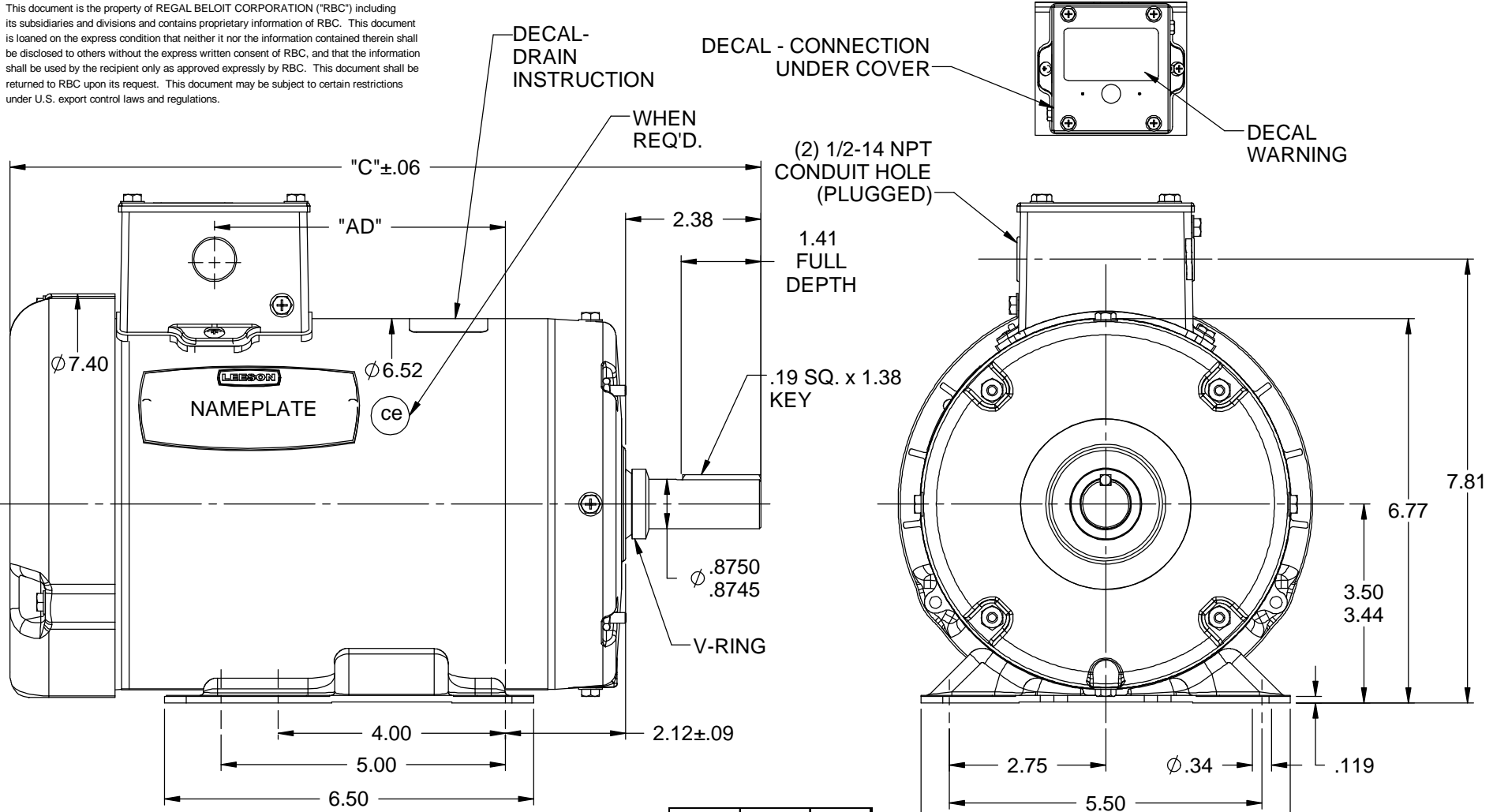
| | | | |
|----------------------------|------------------------------------|------------------------|-------------------|
| Output HP | 2 Hp | Output KW | 1.5 kW |
| Frequency | 60 Hz | Voltage | 230/460 V |
| Current | 5.8/2.9 A | Speed | 1745 rpm |
| Service Factor | 1.25 | Phase | 3 |
| Efficiency | 86.5 % | Duty | Continuous |
| Insulation Class | F | Design Code | B |
| KVA Code | L | Frame | 145 |
| Enclosure | Totally Enclosed Fan Cooled | Overload Protector | No |
| Ambient Temperature | 40 °C | Drive End Bearing Size | 6205 |
| Opp Drive End Bearing Size | 6203 | UL | Recognized |
| CSA | Y | CE | Y |
| IP Code | 43 | | |

Technical Specifications

| | | | |
|-----------------------|------------------------------------|-----------------------|------------------------|
| Electrical Type | Squirrel Cage Induction Run | Starting Method | Across The Line |
| Poles | 4 | Rotation | Reversible |
| Mounting | Rigid base | Motor Orientation | HORIZONTAL |
| Drive End Bearing | BALL | Opp Drive End Bearing | BALL |
| Frame Material | Rolled Steel | Shaft Type | NEMA 56 |
| Overall Length | 13.72 in | Frame Length | 8.00 in |
| Shaft Diameter | 0.875 in | Shaft Extension | 2.25 in |
| Assembly/Box Mounting | F1 ONLY | | |
| Outline Drawing | 028810-800 | Connection Diagram | 005010.01 |

RBC PROPRIETARY AND CONFIDENTIAL INFORMATION

This document is the property of REGAL BELOIT CORPORATION ("RBC") including its subsidiaries and divisions and contains proprietary information of RBC. This document is loaned on the express condition that neither it nor the information contained therein shall be disclosed to others without the express written consent of RBC, and that the information shall be used by the recipient only as approved expressly by RBC. This document shall be returned to RBC upon its request. This document may be subject to certain restrictions under U.S. export control laws and regulations.



- WASHGUARD FEATURES:
- 1) SHAFT SEALS & V-RING
 - 2) PLUGGED DRAIN HOLES IN ENDBELLS & CONDUIT BOX
 - 3) STAINLESS STEEL SHAFT, HARDWARE, & NAMEPLATE
 - 4) GASKETS THROUGHOUT

| DASH NO. | TOLERANCES UNLESS SPECIFIED | |
|----------|-----------------------------|------|
| | "C" | "AD" |
| 700 | 12.72 | 4.62 |
| 750 | 13.22 | 5.12 |
| 800 | 13.72 | 5.62 |



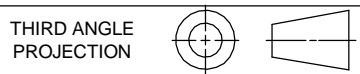
ELECTRIC MOTORS
GEARMOTORS
AND DRIVES

DRAWN MBR 12/19/07
CHK
APPR

| NO | REVISION | BY & DATE | CHK | ANG | ±1/2° |
|----|--|--------------|-----|------|--------|
| 02 | ADDED WARNING DECAL PER ISAAC:09-0365 | VS 3/13/09 | | .XXX | ±.005 |
| 01 | ADDED NAMEPLATE NOTE AS PER ISAAC #08-4183 | GRB9/18/2008 | VS | .XXX | ±.0005 |

TITLE OUTLINE - 140T FRAME
TEFC - RIGID
MAT'L FEATHER PICKER
FINISH
PREV

SCALE 3:8
REF OLG121191
FMF G121191
PAGE OF



| | | | |
|-------------------|---------------|--------------------------|---------------|
| NETWORK FILE NAME | SIZE A | DRAWING NO 028810 | REV 02 |
|-------------------|---------------|--------------------------|---------------|

005010-01

VIEW FROM OUTSIDE OF MOTOR AT SWITCH END.



| VOLTAGE | L1 | L2 | L3 | JOIN & INSULATE |
|---------|-------|-------|-------|-------------------------------|
| HIGH | T1 | T2 | T3 | (T4,T7) (T5,T8) (T6,T9) |
| LOW | T1,T7 | T2,T8 | T3,T9 | T4,T5,T6 |

| | | | | | | | | | | | | |
|--|-----------------------|--|--|--------------------------------|----------|-----------------------------------|----------|--------------------|-----------------------|-----------|-------------|------|
| | | | | TOLERANCES UNLESS SPECIFIED | | Regal Beloit America, Inc. | | DRAWN RDW 04/12/02 | | | | |
| | | | | DEC. | INCHES | | | CHK | | | | |
| | | | | .X | ±.1 | | | APPD | | | | |
| | | | | .XX | ±.01 | | | SCALE 1=1 | | | | |
| | | | | .XXX | ±.005 | TITLE | | REF FIG.2-51 | | | | |
| A | UPDATED TO REGAL LOGO | | | SAJ | 06/26/15 | AJY | .XXXX | ±.0005 | MAT'L. DECAL - 004014 | FMF | | |
| NO. | REVISION | | | BY & DATE | CHK | ANG | ±1/2" | FINISH | PREV | | | |
| THIS DRAWING IN DESIGN AND DETAIL IS OUR PROPERTY AND MUST NOT BE USED EXCEPT IN CONNECTION WITH OUR WORK ALL RIGHTS OF DESIGN AND INVENTION ARE RESERVED THIS IS AN ELECTRONICALLY GENERATED DOCUMENT - DO NOT SCALE THIS PRINT | | | | RFP | 04/12/02 | | CAD FILE | 00501001 | | SIZE | DRAWING NO. | REV. |
| | | | | DIST | BRF-NLV | | | | A | 005010-01 | | A |



Motor Load Data

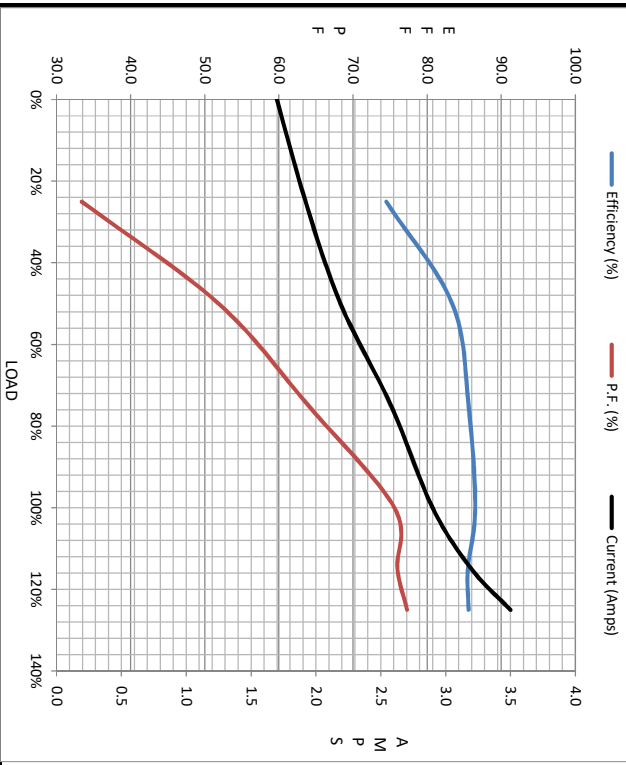
| Load | 0% | 25% | 50% | 75% | 100% | 115% | 125% | LR |
|----------------|------|------|------|------|------|-------|------|------|
| Current (Amps) | 1.70 | 1.92 | 2.19 | 2.58 | 2.90 | 3.2 | 3.5 | 26.5 |
| Torque (ft-lb) | 0.00 | 1.50 | 3.0 | 4.5 | 6.0 | 6.5 | 7.5 | 18.8 |
| RPM | 1800 | 1787 | 1774 | 1763 | 1751 | 1,730 | 1732 | 0 |
| Efficiency (%) | | 74.5 | 83.4 | 85.6 | 86.5 | 85.5 | 85.6 | |
| P.F. (%) | 7.1 | 33.4 | 51.9 | 64.0 | 75.6 | 76.0 | 77.3 | 42.0 |

Motor Speed Data

| | LR | Pull-Up | BD | Rated | Idle |
|----------------|------|---------|------|-------|------|
| Speed (RPM) | 0 | 775 | 1085 | 1751 | 1800 |
| Current (Amps) | 26.5 | 24.4 | 14.2 | 2.90 | 1.70 |
| Torque (ft-lb) | 18.8 | 15.0 | 24.6 | 6.0 | 0.00 |

Information Block

| | | | | |
|-----------------------------|-------------------------|--------|--------|--------|
| HP | 2.0 | | | |
| Sync. RPM | 1800 | | | |
| Frame | 140 | | | |
| Enclosure | TEFC | | | |
| Construction | TFR | | | |
| Voltage | 230/460#190/380 V | | | |
| Frequency | 60 Hz | | | |
| Design | A | | | |
| LR Code letter | L | | | |
| Service Factor | 1.15 | | | |
| Temp Rise @ FL | 53 °C | | | |
| Duty | CONT | | | |
| Ambient | 40 °C | | | |
| Elevation | 1,000 feet | | | |
| Rotor/Shaft wk ² | 0.16 Lb-Ft ² | | | |
| Ref Wdg | T634340 FR | | | |
| Sound Pressure @ 1M | 65 dBA | | | |
| VFD Rating | NONE | | | |
| Outline Dwg | 028810-800 | | | |
| Conn. Diag | 005010.01 | | | |
| Additional Specifications: | | | | |
| 0 | | | | |
| EQUIV CKT (OHMS / PHASE) | | | | |
| R1 | R2 | X1 | X2 | Xm |
| 0.0000 | 0.0000 | 0.0000 | 0.0000 | 0.0000 |



Speed - Torque Curve

