

# PRODUCT INFORMATION PACKET



Model No: C145T17FB92A

Catalog No: 121944.00

..3HP..1740RPM.145T.TEFC.230/460V.3PH.60HZ.INVERTER.40C.1.0SF.RIGID.C145T17FB92A.....

Feather Picker



Regal and Leeson are trademarks of Regal Beloit Corporation or one of its affiliated companies.

©2018 Regal Beloit Corporation, All Rights Reserved. MC017097E



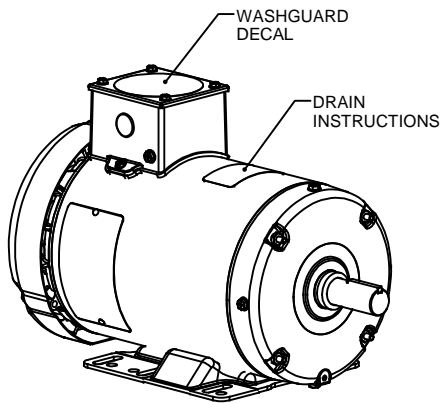
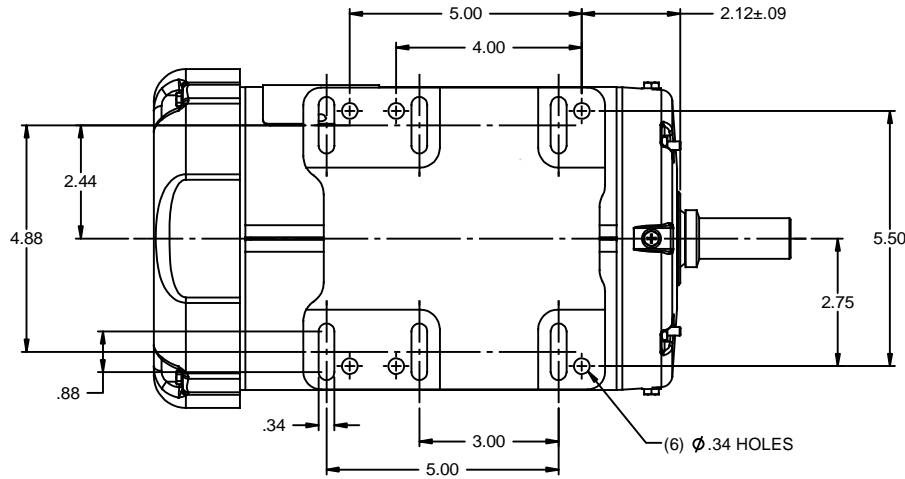
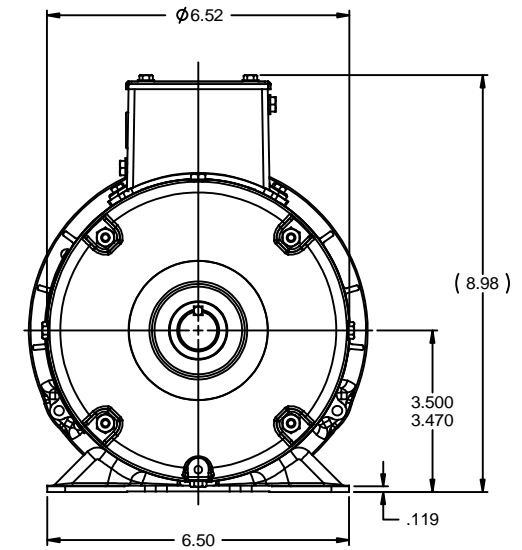
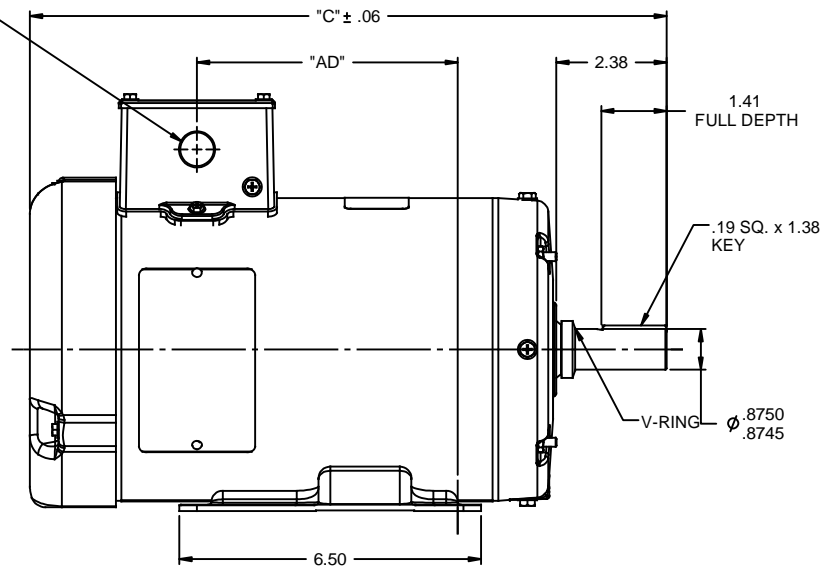
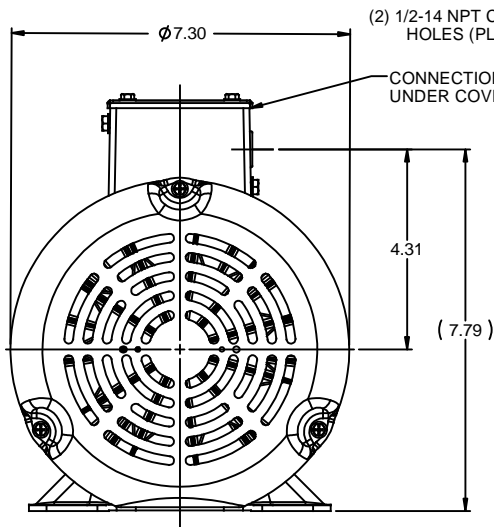


### Nameplate Specifications

Output HP	<b>3 Hp</b>	Output KW	<b>2.2 kW</b>
Frequency	<b>60 Hz</b>	Voltage	<b>208-230/460 V</b>
Current	<b>8.9-8.6/4.3 A</b>	Speed	<b>1740 rpm</b>
Service Factor	<b>1</b>	Phase	<b>3</b>
Efficiency	<b>82.5 %</b>	Duty	<b>Continuous</b>
Insulation Class	<b>F</b>	Design Code	<b>INV</b>
KVA Code	<b>J</b>	Frame	<b>145T</b>
Enclosure	<b>Totally Enclosed Fan Cooled</b>	Overload Protector	<b>No</b>
Ambient Temperature	<b>40 °C</b>	Drive End Bearing Size	<b>6205</b>
Opp Drive End Bearing Size	<b>6203</b>	UL	<b>Recognized</b>
CSA	<b>Y</b>	CE	<b>Y</b>
IP Code	<b>55</b>		

### Technical Specifications

Electrical Type	<b>Squirrel Cage Inverter Duty</b>	Starting Method	<b>Inverter Only</b>
Poles	<b>4</b>	Rotation	<b>Reversible</b>
Mounting	<b>Rigid base</b>	Motor Orientation	<b>HORIZONTAL</b>
Drive End Bearing	<b>BALL</b>	Opp Drive End Bearing	<b>BALL</b>
Frame Material	<b>Rolled Steel</b>	Shaft Type	<b>NEMA 56</b>
Overall Length	<b>13.72 in</b>	Frame Length	<b>8.00 in</b>
Shaft Diameter	<b>0.875 in</b>	Shaft Extension	<b>2.25 in</b>
Assembly/Box Mounting	<b>F3</b>		
Outline Drawing	<b>029019-800</b>	Connection Diagram	<b>005010.01</b>



- WASHGUARD FEATURES:**
1. SHAFT SEALS & V-RINGS.
  2. PLUGGED DRAIN HOLES IN ENDBELLS & CONDUIT BOX.
  3. STAINLESS STEEL SHAFT, HARDWARE & NAMEPLATE.
  4. BUNA-N GASKETS THROUGHOUT.

DASH NO.	"C"	"AD"
700	12.72	4.62
750	13.22	5.12
800	13.72	5.62

TOLERANCES UNLESS SPECIFIED		LEESON	ELECTRIC MOTORS GEARMOTORS AND DRIVES	DRAWN PG 1/4/11
DEC	INCHES			
X	±.1			APPR
.XX	±.03	TITLE	OUTLINE - 140T FRAME	SCALE 3:8
.XXX	±.005		TEFC - RIGID MOUNT	REF 028898
.XXXI	±.0005	MATL	FEATHER PICKER MOTOR	FMF 121944.00
NO	REVISION	CHK	ANG ±1/2"	FINISH
	BY & DATE	RFP	PREV	SIZE
	THIRD ANGLE PROJECTION	NETWORK FILE NAME	029019	DRAWING NO
				<b>B</b>
				<b>029019</b>
				PAGE OF
				REV

005010-01

VIEW FROM OUTSIDE OF MOTOR AT SWITCH END.



VOLTAGE	L1	L2	L3	JOIN & INSULATE
HIGH	T1	T2	T3	(T4,T7) (T5,T8) (T6,T9)
LOW	T1,T7	T2,T8	T3,T9	T4,T5,T6

				TOLERANCES UNLESS SPECIFIED		<b>Regal Beloit America, Inc.</b>		DRAWN RDW 04/12/02		
				DEC.	INCHES			CHK		
				.X	±.1	TITLE EXTERNAL WIRING DIAGRAM 3 PHASE W/O PROTECTOR		APPD		
				.XX	±.01			SCALE 1=1		
				.XXX	±.005			REF FIG.2-51		
A	UPDATED TO REGAL LOGO	SAJ 06/26/15	AJY	.XXXX	±.0005	MAT'L. DECAL - 004014		FMF		
NO.	REVISION	BY & DATE	CHK	ANG	±1/2"	FINISH		PREV		
THIS DRAWING IN DESIGN AND DETAIL IS OUR PROPERTY AND MUST NOT BE USED EXCEPT IN CONNECTION WITH OUR WORK ALL RIGHTS OF DESIGN AND INVENTION ARE RESERVED THIS IS AN ELECTRONICALLY GENERATED DOCUMENT - DO NOT SCALE THIS PRINT				RFP	04/12/02	CAD FILE 00501001		SIZE	DRAWING NO.	REV.
				DIST	BRF-NLV	A	005010-01	A		



P.O. BOX 8003  
WAUSAU, WI 54401-8003  
PH. 715-675-3311

DATA VOLTS: 460

CERTIFICATION DATA SHEET

CONN. DIAGRAM: 005010.01  
OUTLINE: 029019-800  
WINDING: T634206

CAT #: 121944.00

FR 3

TYPICAL MOTOR PERFORMANCE DATA

HP	KW	SYNC RPM	FL RPM	FRAME	ENCLOSURE	TYPE	KVA CODE	DESIGN	
3	2.2	1800	1742	56H	TEFC	TFR	J	B	
PH	HZ	VOLTS	AMPS	START TYPE	DUTY	INSL	S.F.	AMB	ELEV.
3	60	208-230/460	8.9-8.6/4.3	ACROSS THE LINE	CONT	F	1.15	40	3300
F.L. EFF	82.5	3/4 LD EFF	83.0	1/2 LD EFF	80.0	GTD EFF	0.0	ELECT. TYPE	
F.L. PF	79.0	3/4 LD PF	69.2	1/2 LD PF	58.1	SQ CAGE IND RUN			
F.L. TORQUE	LR AMPS @ 460 V	L.R. TORQUE	B.D. TORQUE						
9.0 LB-FT	31.0	30.0 LB-FT	333%	35.7 LB-FT	397%	98			
PRESSURE @ 3	POWER	ROTOR WK <sup>2</sup>	MAX. LOAD WK <sup>2</sup>	SAFE STALL TIME	STARTS/HOUR	MOTOR WGT			
999 DBA	1008 DBA	0.16 LB-FT <sup>2</sup>	0.2 LB-FT <sup>2</sup>	0 SEC.	0	0 LB.			

\*\*\* SUPPLEMENTAL INFORMATION \*\*\*

DE BRACKET TYPE	ODE BRACKET TYPE	MOUNT TYPE	MOTOR ORIENTATION	SEVERE DUTY	HAZARDOUS LOCATION	DRIIP COVER	SCREENS	PAINT
STANDARD	STANDARD	RIGID	HORIZONTAL	NO	NONE	NO	NONE	ITE - LEESON (EPO
BEARINGS	GREASE	SHAFT TYPE	SPECIAL DE	SPECIAL ODE	SHAFT	MATERIAL	FRAME MATERIAL	
DE ODE	POLYREX EM	STANDARD 56	NONE	NONE	1144 STRESSPROOF (C-223)	ROLLED STEEL		
BALL BALL								
6205	6203							

THERMOSTATS	PROTECTORS	WDG RTD's	BRG RTD's	THERMISTORS	CONTROL	SPACE HEATERS
NONE	NOT	NONE	NONE	NONE	FALSE	NA
R1 (ohms/ph)	R2 (ohms/ph)	X1 (ohms/ph)	X2 (ohms/ph)	Xm (ohms/ph)	VIBRATION (in/sec)	FLOAT ODE
0	0	0	0	0	0.080	

* N O T E S *		INVERTER TORQUE: NONE	
		INV. HP SPEED RANGE: NONE	
		ENCODER: NONE	
		NONE	
		NONE	
		BRAKE: NONE	
		NONE	
		FT-LB: NA	
		NONE	
		NONE	
		NONE PPR	

DATE:	1/31/2018	VOLTAGE:	NA	HZ:	
		UL: Y-(LEESON UL REC)			



Motor Load Data						LR		
Load	0%	25%	50%	75%	100%	115%	125%	
Current (Amps)	2.43	2.68	3.1	3.7	4.3	4.7	5.1	31.0
Torque (ft-lb)	0.00	2.30	4.5	6.8	9.0	10.2	11.3	30.0
RPM	1800	1786	1772	1758	1742	1736	1726	0
Efficiency (%)		71.7	80.0	83.0	82.5	82.4	82.2	
P.F. (%)	9.9	38.1	58.1	69.2	79.0	81.2	83.3	0.0

Motor Speed Data						Information Block																					
	LR	Pull-Up	BD	Rated	Idle	HP	Sync. RPM	Frame	Enclosure	Construction	Voltage	Frequency	Design	LR Code letter	Service Factor	Temp Rise @ FL	Duty	Ambient	Elevation	Rotor/Shaft wk <sup>2</sup>	Ref Wdg	Sound Pressure @ 1M	VFD Rating	Outline Dwg	Conn. Diag	Additional Specifications:	
Speed (RPM)	0	400	1200	1742	1800	3.0	1800	140	TEFC	TFR	208-230/460	60	B	J	1.0	98	CONT	40 °C	1,000	0.16	FR	999	NONE	029019-800	005010.01		
Current (Amps)	31.0	28.5	18.6	4.3	2.43																						
Torque (ft-lb)	30.0	29.0	35.7	9.0	0.00																						

