

# PRODUCT INFORMATION PACKET



Model No: C145T17FC38E

Catalog No: 121065.00

..2HP..1745RPM.145.TEFC.230/460V.3PH.60HZ.CONT.40C.1.25SF.ROUND.C145T17FC38E.....WATTSAYER.AUTOMATIC.....

Totally Enclosed Fan Cooled (TEFC)



Regal and Leeson are trademarks of Regal Beloit Corporation or one of its affiliated companies.

©2018 Regal Beloit Corporation, All Rights Reserved. MC017097E



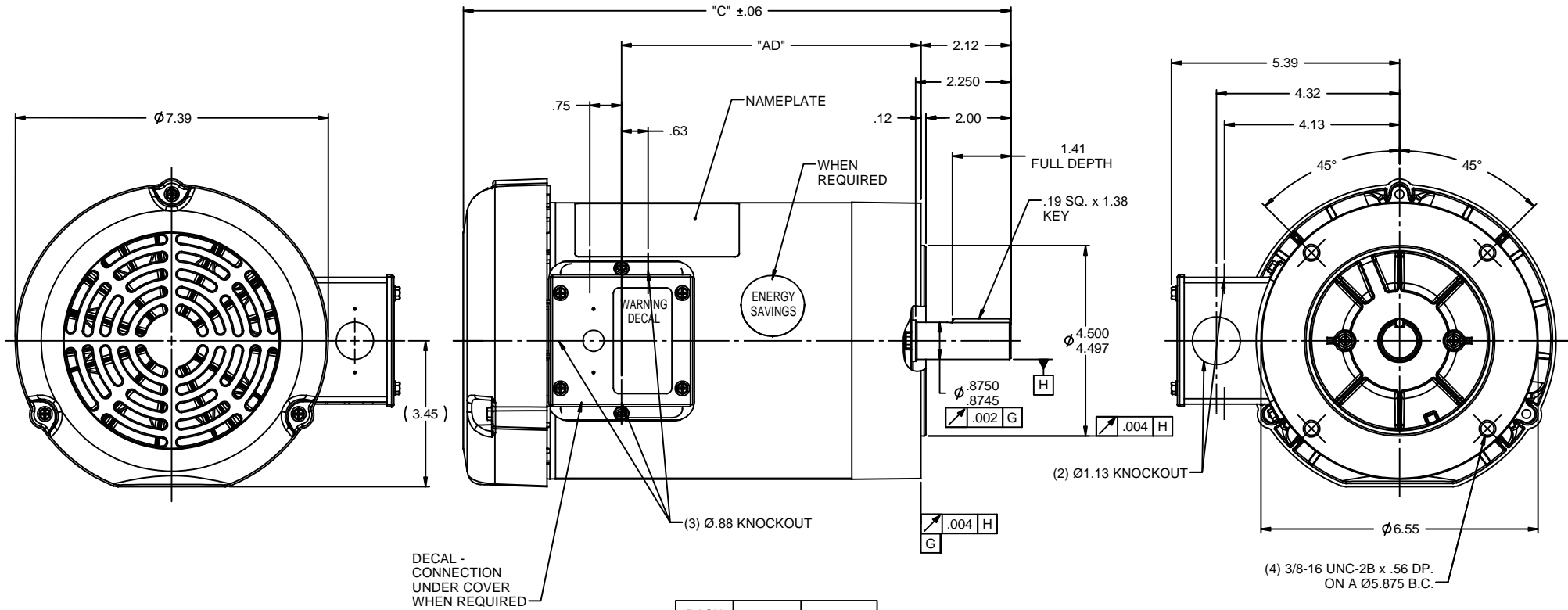


**Nameplate Specifications**

Output HP	<b>2 Hp</b>	Output KW	<b>1.5 kW</b>
Frequency	<b>60 Hz</b>	Voltage	<b>230/460 V</b>
Current	<b>5.8/2.9 A</b>	Speed	<b>1745 rpm</b>
Service Factor	<b>1.25</b>	Phase	<b>3</b>
Efficiency	<b>86.5 %</b>	Duty	<b>Continuous</b>
Insulation Class	<b>F</b>	Design Code	<b>B</b>
KVA Code	<b>L</b>	Frame	<b>145TC</b>
Enclosure	<b>Totally Enclosed Fan Cooled</b>	Overload Protector	<b>No</b>
Ambient Temperature	<b>40 °C</b>	Drive End Bearing Size	<b>6205</b>
Opp Drive End Bearing Size	<b>6203</b>	UL	<b>Recognized</b>
CSA	<b>Y</b>	CE	<b>Y</b>
IP Code	<b>43</b>		

**Technical Specifications**

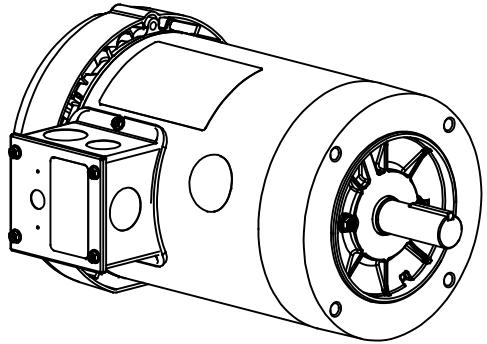
Electrical Type	<b>Squirrel Cage Inverter Rated</b>	Starting Method	<b>Line Or Inverter</b>
Poles	<b>4</b>	Rotation	<b>Reversible</b>
Mounting	<b>Round</b>	Motor Orientation	<b>HORIZONTAL</b>
Drive End Bearing	<b>BALL</b>	Opp Drive End Bearing	<b>BALL</b>
Frame Material	<b>Rolled Steel</b>	Shaft Type	<b>NEMA 56</b>
Overall Length	<b>13.92 in</b>	Frame Length	<b>8.00 in</b>
Shaft Diameter	<b>0.875 in</b>	Shaft Extension	<b>2.25 in</b>
Assembly/Box Mounting	<b>F1 ONLY</b>		
Outline Drawing	<b>028777-800</b>	Connection Diagram	<b>005010.20</b>



DECAL - CONNECTION UNDER COVER WHEN REQUIRED

DASH NO.	"C"	"AD"
550	11.42	5.56
600	11.92	6.06
650	12.42	6.56
675	12.67	6.81
700	12.92	7.06
750	13.42	7.56
800	13.92	8.06

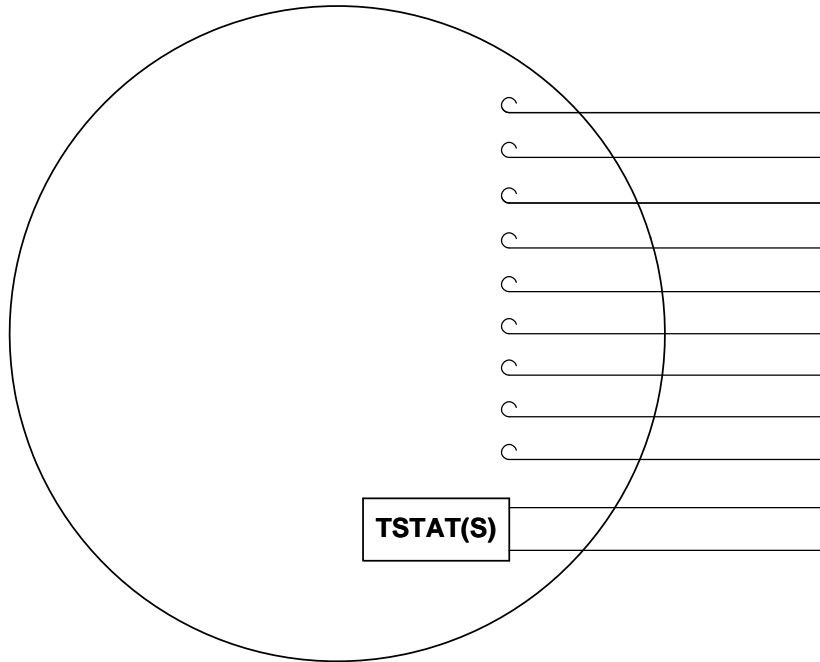
NOTE:  
1) GASKETS THROUGHOUT



REVISION			BY & DATE	CHK	ANG	±1/2°	FINISH	GENERAL PURPOSE	SIZE	DRAWING NO	REV
05	ADDED FAN GUARD DIMENSIONS PER SALES	PG	1/5/2011	DEC					B	028777	05
04	ADDED DASH NO. 675	PG	5/21/2010	X							
03	ADDED ENERGY SAVINGS DECAL	PG	5/19/2010	.XX							
02	ADD "C" DIM. PER ISAAC 09-4157	LST	10/1/2009	.XXX							
01	REVISED GD&T POSITIONING & CALLOUT	KMM	8/27/07	.XXX							

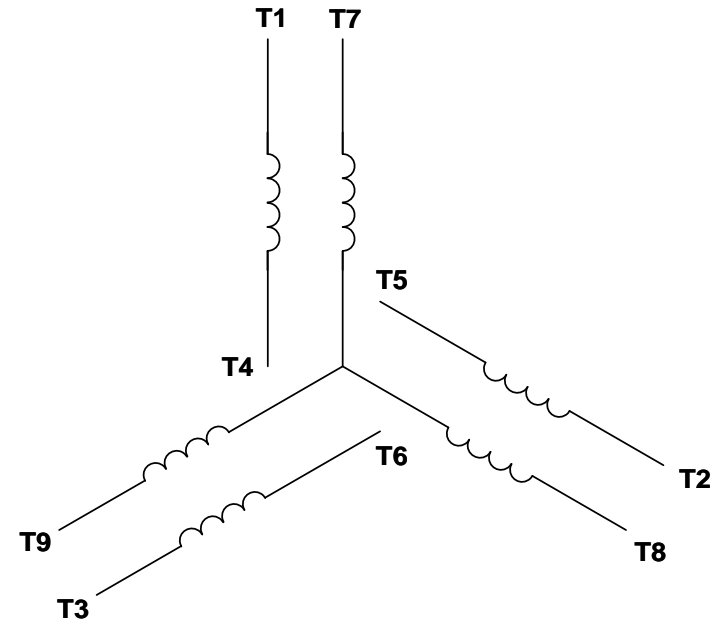
	<b>ELECTRIC MOTORS GEARMOTORS AND DRIVES</b>	DRAWN	KMM 08/02/07
		CHK	
		APPR	
		SCALE	7:16
		REF	028504.00
		FMF	120038.00
		PAGE	OF
		REV	

VIEW FROM OUTSIDE OF MOTOR AT SWITCH END. Uncontrolled Copy



- T1
- T2
- T3
- T4
- T5
- T6
- T7
- T8
- T9
- RED(P1)
- RED(P2)

**LINE LEADS**



VOLTAGE	L1	L2	L3	JOIN & INSULATE
HIGH	T1	T2	T3	(T4,T7) (T5,T8) (T6,T9)
LOW	T1,T7	T2,T8	T3,T9	T4,T5,T6

DRAWING REVISION <b>G</b>	REVISION BY <b>MVG</b>	DATE <b>04/05/2017</b>
ECO <b>ECO-0121253</b>	APPROVED BY <b>SM</b>	DATE <b>04/05/2017</b>

ECO DESCRIPTION  
**ADDED P1 & P2 FOR TSTAT**

COPYRIGHT REGAL BELOIT AMERICA, INC. ALL RIGHTS RESERVED.  
PROPRIETARY AND CONFIDENTIAL INFORMATION - THIS DOCUMENT IS THE PROPERTY OF  
REGAL BELOIT AMERICA, INC. ("OWNER") AND CONTAINS OWNER'S PROPRIETARY  
INFORMATION. ANY PERSON, CORPORATION OR OTHER FIRM RECEIVING IT IS DEEMED,  
BY RECEIVING IT, TO AGREE THAT IT, AND/OR ANY PART OF IT, SHALL NOT BE DISCLOSED  
TO ANY PERSON, CORPORATION OR OTHER ENTITY, DUPLICATED, AND/OR USED, EXCEPT  
AS EXPRESSLY APPROVED IN WRITING IN ADVANCE BY OWNER. THIS DOCUMENT SHALL  
BE RETURNED TO OWNER UPON REQUEST. IT MAY BE SUBJECT TO CERTAIN  
RESTRICTIONS UNDER APPLICABLE EXPORT CONTROL LAWS AND REGULATIONS.

TOLERANCES UNLESS OTHERWISE SPECIFIED:

DEC.	INCH	mm	ANGLE
.X	±0.1	[±2.5]	±0.5°
.XX	±0.01	[±0.25]	
.XXX	±0.005	[±0.127]	
.XXXX	±0.0005	[±0.0127]	

**REMOVE BURRS & BREAK SHARP EDGES: .003/.015 [.076/.381] X 45°**  
**CORNER FILLETS: R.02 [.51]**  
**MACHINED SURFACES: 125/3.2 INCH/mm**  
**mm SHOWN IN [BRACKETS]**

DRAWN BY <b>DBT 12/16/97</b>	DATE
APPROVED BY <b>KH 12/17/97</b>	DATE
REFERENCE	
THIRD ANGLE PROJECTION	



DESCRIPTION <b>CONN DIAGRAM-EXTERNAL</b> 3 PHASE WITH PROTECTOR		
MATERIAL <b>DECAL - 004014 (TSTAT) - 080582</b>	PROCESS/FINISH <b>STOCK</b>	
SIZE <b>A</b>	DRAWING NUMBER <b>00501020</b>	SHEET <b>1 OF 1</b>



P.O. BOX 8003  
WAUSAU, WI 54401-8003  
PH. 715-675-3311

DATA VOLTS: 460

CERTIFICATION DATA SHEET

CONN. DIAGRAM: 005010.20  
OUTLINE: 028777-800  
WINDING: T634340

CAT #: 121065.00

FR 3

TYPICAL MOTOR PERFORMANCE DATA

HP	KW	SYNC RPM	FL RPM	FRAME	ENCLOSURE	TYPE	KVA CODE	DESIGN		
2	1.5	1800	1751	145 C	TEFC	TFR	L	B		
PH	HZ	VOLTS	AMPS	START TYPE	DUTY	INSL	S.F.	AMB	ELEV.	
3	60/50	230/460#190/380	6/386.8/3.4	LINE OR INVERTER	CONT	F	1.15	40	3300	
F.L. EFF	F.L. PF	3/4 LD EFF	3/4 LD PF	85.6	1/2 LD EFF	1/2 LD PF	83.4	GTD EFF	84.0	ELECT. TYPE
86.5	75.6	3/4 LD EFF	3/4 LD PF	85.6	1/2 LD EFF	1/2 LD PF	83.4	84.0		SO CAGE INVERTED
F.L. TORQUE	LR AMPS @ 460 V	L.R. TORQUE	B.D. TORQUE	F.L. RISE (°C)						
6.0 LB-FT	26.5	18.8 LB-FT	313%	24.6 LB-FT	410%	53				
PRESSURE @ 3	POWER	ROTOR WK²	MAX. LOAD WK²	SAFE STALL TIME	STARTS/HOUR	MOTOR WGT				
65 DBA	74 DBA	0.16 LB-FT²	0 LB-FT²	10 SEC.	3	0 LB.				

\*\*\* SUPPLEMENTAL INFORMATION \*\*\*

DE BRACKET TYPE	ODE BRACKET TYPE	MOUNT TYPE	MOTOR ORIENTATION	SEVERE DUTY	HAZARDOUS LOCATION	DRIIP COVER	SCREENS	PAINT
C-FACE	STANDARD	ROUND	HORIZONTAL	NO	NONE	NO	NONE	N - LEESON WATTS
BEARINGS	GREASE	SHAFT TYPE	SPECIAL DE	SPECIAL ODE	SHAFT	MATERIAL	FRAME MATERIAL	
BALL BALL 6205	POLYREX EM	STANDARD 56	NONE	NONE	1144 STRESSPROOF (C-223)	ROLLED STEEL		
THERMOSTATS	PROTECTORS	WDG RTD's	BRG RTD's	THERMISTORS	CONTROL	SPACE HEATERS		
TSTATS (N/C)	NOT	NONE	NONE	NONE	FALSE	NA		
R1 (ohms/ph)	R2 (ohms/ph)	X1 (ohms/ph)	X2 (ohms/ph)	Xm (ohms/ph)	VIBRATION (in/sec)	FLOAT		
0	0	0	0	0	0.150	ODE		

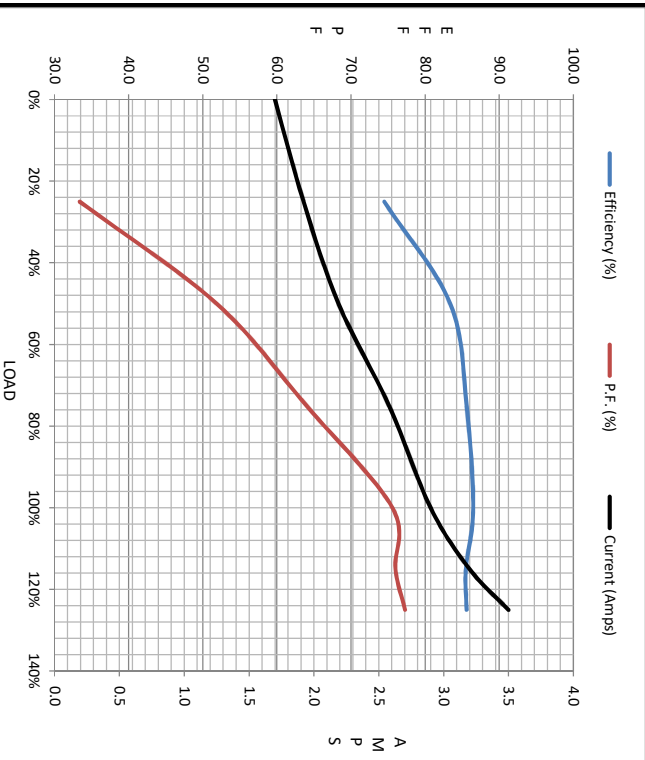
* N O T E S *		INVERTER TORQUE: CONSTANT 10:1 INV. HP SPEED RANGE: 1.5 X BASE SPEED
ENCODER: NONE NONE NONE		NONE PPR
BRAKE: NONE NONE NONE		NONE
FT-LB: NA VOLTAGE: NONE		NONE
DATE: 2/15/2018		HZ:

UL: Y-(LEESON UL REC)	
-----------------------	--



		Motor Load Data							
Load		0%	25%	50%	75%	100%	115%	125%	LR
Current (Amps)		1.70	1.92	2.19	2.58	2.90	3.2	3.5	26.5
Torque (ft-lb)		0.00	1.50	3.0	4.5	6.0	6.5	7.5	18.8
RPM		1800	1787	1774	1763	1751	1,730	1732	0
Efficiency (%)			74.5	83.4	85.6	86.5	85.5	85.6	
P.F. (%)		7.1	33.4	51.9	64.0	75.6	76.0	77.3	42.0

		Motor Speed Data					Information Block																				
	LR	Pull-Up	BD	Rated	Idle	HP	Sync. RPM	Frame	Enclosure	Construction	Voltage	Frequency	Design	LR Code letter	Service Factor	Temp Rise @ FL	Duty	Ambient	Elevation	Rotor/Shaft wk <sup>2</sup>	Ref Wdg	Sound Pressure @ 1M	VFD Rating	Outline Dwg	Conn. Diag	Additional Specifications:	
Speed (RPM)	0	775	1085	1751	1800	2.0	1800	140	TEFC	TFR	230/460#190/380	60	A	L	1.15	53	CONT	40 °C	1,000	0.16	T634340 FR	65	CONSTANT 10:1	028777-800	005010.20		
Current (Amps)	26.5	24.4	14.2	2.90	1.70																						
Torque (ft-lb)	18.8	15.0	24.6	6.0	0.00																						



	R1	R2	X1	X2	Xm
EQUIV CKT (OHMS / PHASE)	0.0000	0.0000	0.0000	0.0000	0.0000

