

PRODUCT INFORMATION PACKET



Model No: C145T17FK71A

Catalog No: 122087.00

..1.5HP..1800RPM.145JM.TEFC.230/460V.3PH.60HZ.CONT.40C..RIGID C FACE.....JM PUMP.....
JM



Regal and Leeson are trademarks of Regal Beloit Corporation or one of its affiliated companies.

©2018 Regal Beloit Corporation, All Rights Reserved. MC017097E



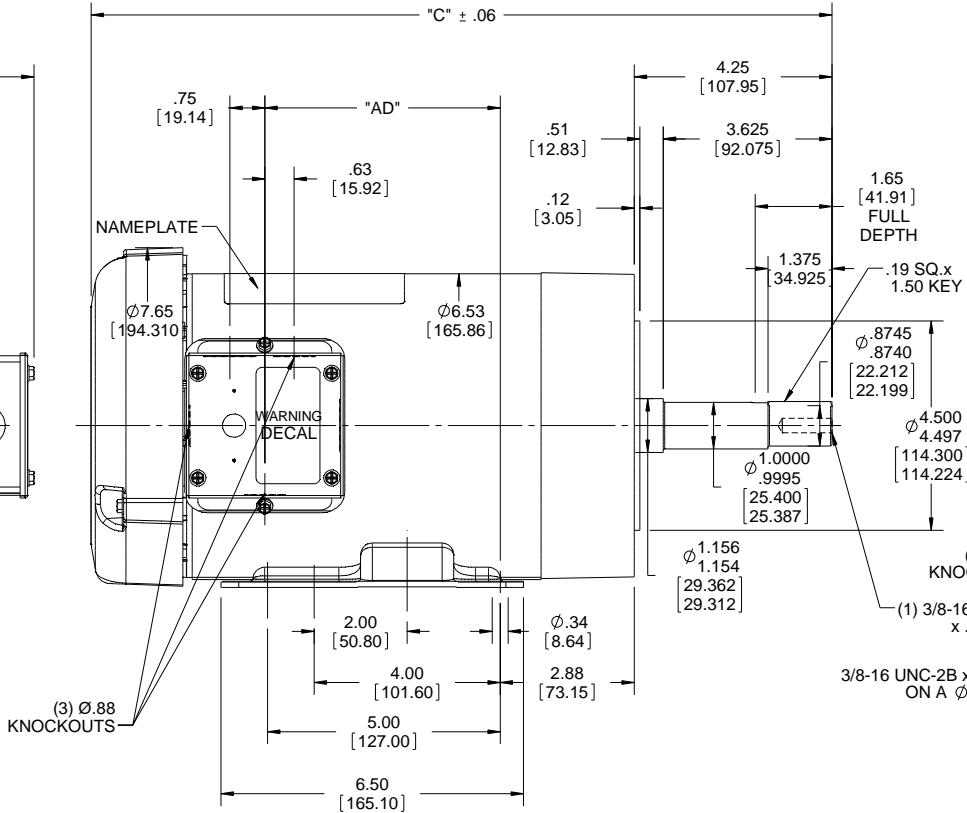
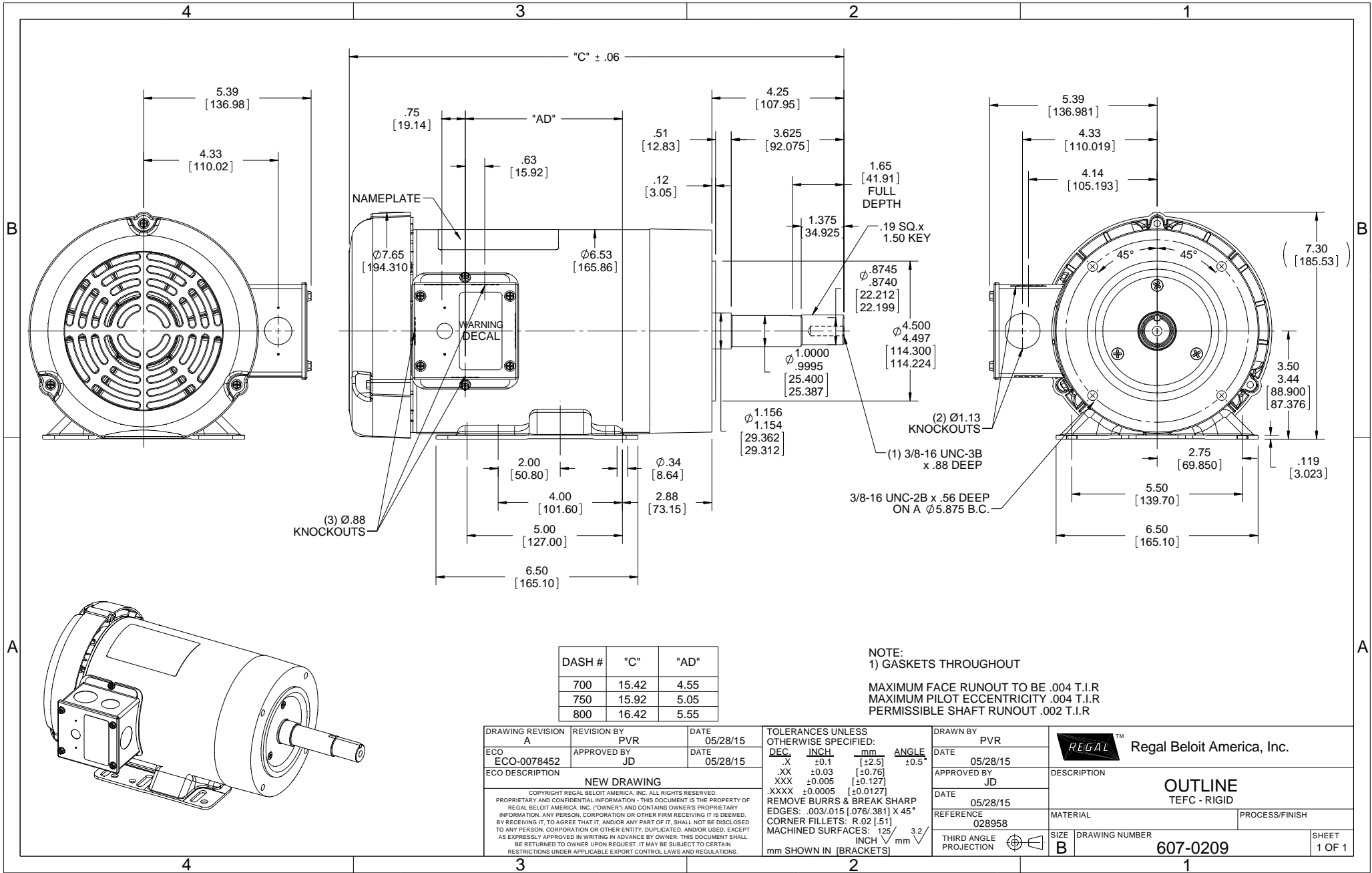


Nameplate Specifications

Output HP	1.50 Hp	Output KW	1.1 kW
Frequency	60 Hz	Voltage	230/460 V
Current	4.8/2.4 A	Speed	1750 rpm
Service Factor	1.15	Phase	3
Efficiency	86.5 %	Duty	Continuous
Insulation Class	F	Design Code	B
KVA Code	L	Frame	145JM
Enclosure	Totally Enclosed Fan Cooled	Overload Protector	No
Ambient Temperature	40 °C	Drive End Bearing Size	6206
Opp Drive End Bearing Size	6203	UL	Recognized
CSA	Y	CE	N
IP Code	43		

Technical Specifications

Electrical Type	Squirrel Cage Induction Run	Starting Method	Across The Line
Poles	4	Rotation	Reversible
Mounting	Rigid base	Motor Orientation	HORIZONTAL
Drive End Bearing	BALL	Opp Drive End Bearing	BALL
Frame Material	Rolled Steel	Shaft Type	JM
Overall Length	15.92 in	Frame Length	7.50 in
Shaft Diameter	0.875 in	Shaft Extension	4.21 in
Assembly/Box Mounting	F1 ONLY		
Outline Drawing	607-0209-750	Connection Diagram	005010.01



DASH #	"C"	"AD"
700	15.42	4.55
750	15.92	5.05
800	16.42	5.55

NOTE:
 1) GASKETS THROUGHOUT
 MAXIMUM FACE RUNOUT TO BE .004 T.I.R
 MAXIMUM PILOT ECCENTRICITY .004 T.I.R
 PERMISSIBLE SHAFT RUNOUT .002 T.I.R

DRAWING REVISION A	REVISION BY PVR	DATE 05/28/15
ECO ECO-0078452	APPROVED BY JD	DATE 05/28/15
ECO DESCRIPTION NEW DRAWING		
<small>COPYRIGHT REGAL BELOIT AMERICA, INC. ALL RIGHTS RESERVED. PROPRIETARY AND CONFIDENTIAL INFORMATION - THIS DOCUMENT IS THE PROPERTY OF REGAL BELOIT AMERICA, INC. ("OWNER") AND CONTAINS OWNER'S PROPRIETARY INFORMATION. ANY PERSON, CORPORATION OR OTHER FIRM RECEIVING IT IS DEEMED, BY RECEIVING IT, TO AGREE THAT IT, AND/OR ANY PART OF IT, SHALL NOT BE DISCLOSED TO ANY PERSON, CORPORATION OR OTHER ENTITY, DUPLICATED, AND/OR USED, EXCEPT AS EXPRESSLY APPROVED IN WRITING IN ADVANCE BY OWNER. THIS DOCUMENT SHALL BE RETURNED TO OWNER UPON REQUEST. IT MAY BE SUBJECT TO CERTAIN RESTRICTIONS UNDER APPLICABLE EXPORT CONTROL LAWS AND REGULATIONS.</small>		

TOLERANCES UNLESS OTHERWISE SPECIFIED:			
DEC.	INCH	mm	ANGLE
.X	+0.1	[+2.5]	±0.5°
.XX	+0.03	[+0.76]	
.XXX	+0.005	[+0.127]	
.XXXX	+0.0005	[+0.0127]	
REMOVE BURRS & BREAK SHARP EDGES: .003/.015 [0.076/.381] X 45°			
CORNER FILLETS: R.02 [51]			
MACHINED SURFACES: 125/3.2			
mm SHOWN IN [BRACKETS]			

DRAWN BY PVR	DATE 05/28/15
APPROVED BY JD	DATE 05/28/15
REFERENCE 028958	
THIRD ANGLE PROJECTION	

Regal Beloit America, Inc.	
DESCRIPTION OUTLINE	
TEFC - RIGID	
MATERIAL	PROCESS/FINISH
SIZE B	DRAWING NUMBER 607-0209
	SHEET 1 OF 1

005010-01

VIEW FROM OUTSIDE OF MOTOR AT SWITCH END.



VOLTAGE	L1	L2	L3	JOIN & INSULATE
HIGH	T1	T2	T3	(T4,T7) (T5,T8) (T6,T9)
LOW	T1,T7	T2,T8	T3,T9	T4,T5,T6

				TOLERANCES UNLESS SPECIFIED		Regal Beloit America, Inc.		DRAWN RDW 04/12/02		
				DEC.	INCHES			CHK		
				.X	±.1			APPD		
				.XX	±.01			SCALE 1=1		
				.XXX	±.005	TITLE		REF FIG.2-51		
A	UPDATED TO REGAL LOGO	SAJ 06/26/15	AJY	.XXXX	±.0005	MAT'L.		FMF		
NO.	REVISION	BY & DATE	CHK	ANG	±1/2"	FINISH		PREV		
THIS DRAWING IN DESIGN AND DETAIL IS OUR PROPERTY AND MUST NOT BE USED EXCEPT IN CONNECTION WITH OUR WORK ALL RIGHTS OF DESIGN AND INVENTION ARE RESERVED THIS IS AN ELECTRONICALLY GENERATED DOCUMENT - DO NOT SCALE THIS PRINT				RFP	04/12/02	CAD FILE		SIZE	DRAWING NO.	REV.
				DIST	BRF-NLV	00501001		A	005010-01	A

Data Sheet

Date: 1/29/2018

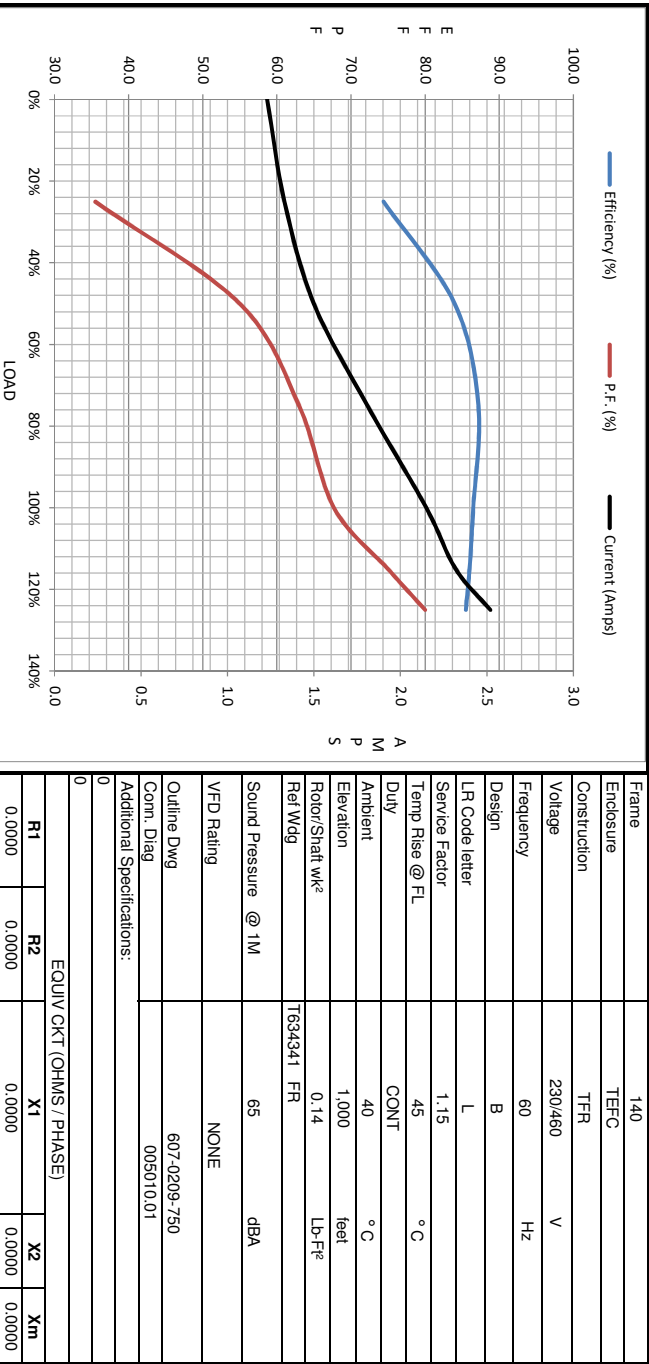
122087.00



Data @ 460 V

Motor Load Data						
Load	0%	25%	50%	75%	100%	LR
Current (Amps)	1.23	1.33	1.50	1.81	2.15	18.5
Torque (ft-lb)	0.00	1.10	2.25	3.4	4.5	17.2
RPM	1800	1785	1772	1750	1750	0
Efficiency (%)		74.4	84.0	87.2	88.5	
P.F. (%)	9.9	35.5	55.0	63.0	67.7	48.0

Motor Speed Data						Information Block																					
LR	Pull-Up	BD	Rated	Idle		HP	Sync. RPM	Frame	Enclosure	Construction	Voltage	Frequency	Design	LR Code letter	Service Factor	Temp Rise @ FL	Duty	Ambient	Elevation	Rotor/Shaft wk ²	Ref Wdg	Sound Pressure @ 1M	VFD Rating	Outline Dwg	Conn. Diag	Additional Specifications:	
0	900	1600	1750	1800		1.5	1800	140	TEFC	TFR	230/460	60	B	L	1.15	45	CONT	40	1,000	0.14	T634341 FR	65	NONE	607-0209-750	005010.01		
Current (Amps)	18.5	16.1	12.1	2.15	1.23																						
Torque (ft-lb)	17.2	16.0	20.4	4.5	0.00																						



EQUIV CKT (OHMS / PHASE)			
R1	R2	X1	Xm
0.0000	0.0000	0.0000	0.0000

