

# PRODUCT INFORMATION PACKET



Model No: C182K34DB4B

Catalog No: 131848.00

..7.5-10HP..3450RPM.182.DP.230V.1PH.60HZ.AIROVER.40C.1.0SF.RIGID.C182K34DB4B.....AG -  
.AUTOMATIC.....

Crop Dryer



Regal and Leeson are trademarks of Regal Beloit Corporation or one of its affiliated companies.

©2018 Regal Beloit Corporation, All Rights Reserved. MC017097E





### Nameplate Specifications

Output HP	7.50 Hp	Output KW	5.6 kW
Frequency	60 Hz	Voltage	230 V
Current	31.0 A	Speed	3450 rpm
Service Factor	1	Phase	1
Efficiency	82.5 %	Duty	Continuous
Insulation Class	F	Design Code	L
KVA Code	G	Frame	182TZ
Enclosure	Drip Proof Air Over	Overload Protector	Automatic
Ambient Temperature	40 °C	Drive End Bearing Size	6206
Opp Drive End Bearing Size	6205	UL	Recognized
CSA	Y	CE	N
IP Code	22		

### Technical Specifications

Electrical Type	Capacitor Start Capacitor Run	Starting Method	Across The Line
Poles	2	Rotation	Selective Counterclockwise
Mounting	Rigid base	Motor Orientation	HORIZONTAL
Drive End Bearing	BALL	Opp Drive End Bearing	BALL
Frame Material	Rolled Steel	Shaft Type	Single Special Extension
Overall Length	16.44 in	Frame Length	11.50 in
Shaft Diameter	1.125 in	Shaft Extension	3.5 in
Assembly/Box Mounting	F1 ONLY		
Outline Drawing	035732-1150	Connection Diagram	005018.30

4

3

2

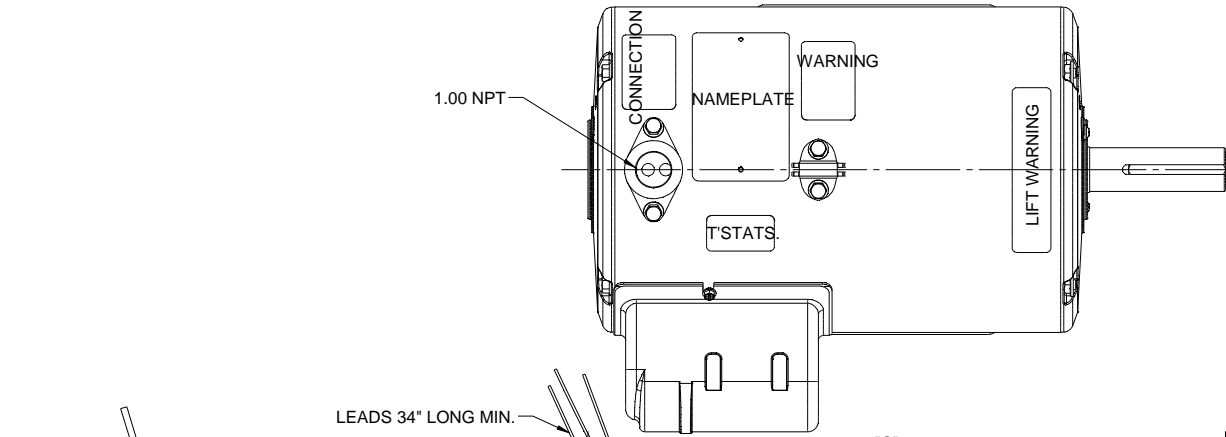
1

B

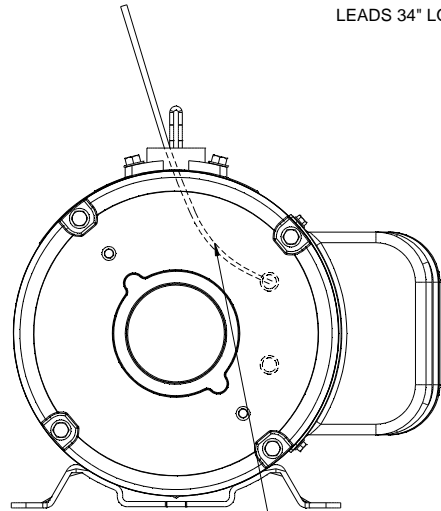
B

A

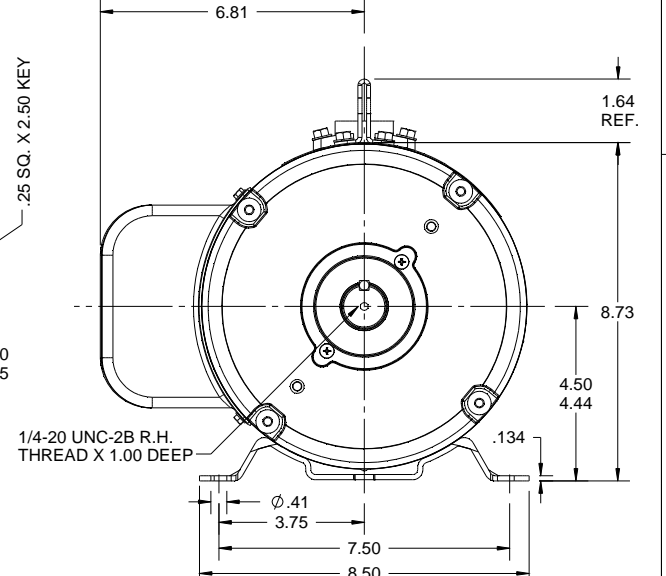
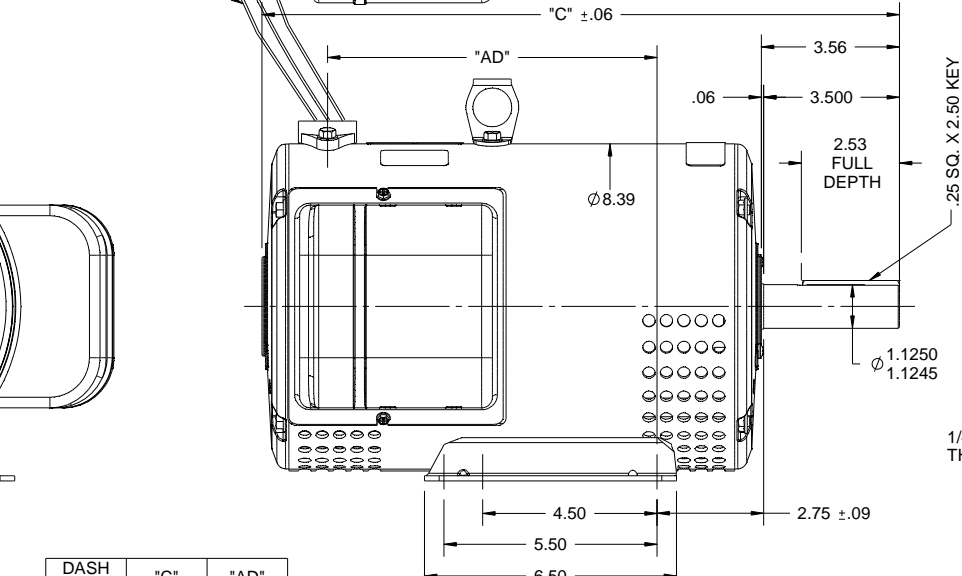
A



LEADS 34" LONG MIN.



GROUND LEAD 34" LONG MIN. ATTACHED TO PROTECTOR BOSS WITH #10-32 GROUND SCREW



DASH NO.	"C"	"AD"
1050	15.44	7.50
1100	15.94	8.00
1150	16.44	8.50
1200	16.94	9.00
1250	17.44	9.50
1300	17.94	10.00
1350	18.44	10.50
1400	18.94	11.00

DRAWING REVISION G  
 REVISION BY M.MCCALEB  
 DATE 04-27-2015  
 ECO-0076543  
 APPROVED BY G.SCHALLOCK  
 DATE 04-27-2015  
 ECO DESCRIPTION  
 1.00 NPT WAS 3/4-14 NPT  
 COPYRIGHT REGAL BELOIT AMERICA, INC. ALL RIGHTS RESERVED.  
 PROPRIETARY AND CONFIDENTIAL INFORMATION - THIS DOCUMENT IS THE PROPERTY OF REGAL BELOIT AMERICA, INC. (OWNER) AND CONTAINS OWNER'S PROPRIETARY INFORMATION. ANY PERSON, CORPORATION OR OTHER FIRM RECEIVING IT IS DEEMED, BY RECEIVING IT, TO AGREE THAT IT, AND/OR ANY PART OF IT, SHALL NOT BE DISCLOSED TO ANY PERSON, CORPORATION OR OTHER ENTITY, DUPLICATED, AND/OR USED, EXCEPT AS EXPRESSLY APPROVED IN WRITING IN ADVANCE BY OWNER. THIS DOCUMENT SHALL BE RETURNED TO OWNER UPON REQUEST. IT MAY BE SUBJECT TO CERTAIN RESTRICTIONS UNDER APPLICABLE EXPORT CONTROL LAWS AND REGULATIONS.

TOLERANCES UNLESS OTHERWISE SPECIFIED:  
 DEC INCH mm ANGLE  
 .X ±0.1 [+2.5] ±0.5°  
 .XX ±0.03 [+0.76]  
 .XXX ±0.005 [+0.127]  
 .XXXX ±0.0005 [+0.0127]  
 REMOVE BURRS & BREAK SHARP EDGES: .003/.015 [.076/.381] X 45°  
 CORNER FILLETS: R.02 [.51]  
 MACHINED SURFACES: 125 INCH mm 3.2  
 mm SHOWN IN [BRACKETS]

DRAWN BY LST  
 DATE 5/5/09  
 APPROVED BY  
 DATE  
 REFERENCE

**REGAL**™ Regal Beloit America, Inc.

DESCRIPTION: **OUTLINE DRIP PROOF - RIGID**

MATERIAL: \_\_\_\_\_ PROCESS/FINISH: \_\_\_\_\_

SIZE: **B** DRAWING NUMBER: **035732** SHEET: **1 OF 1**

ORACLE REV 003

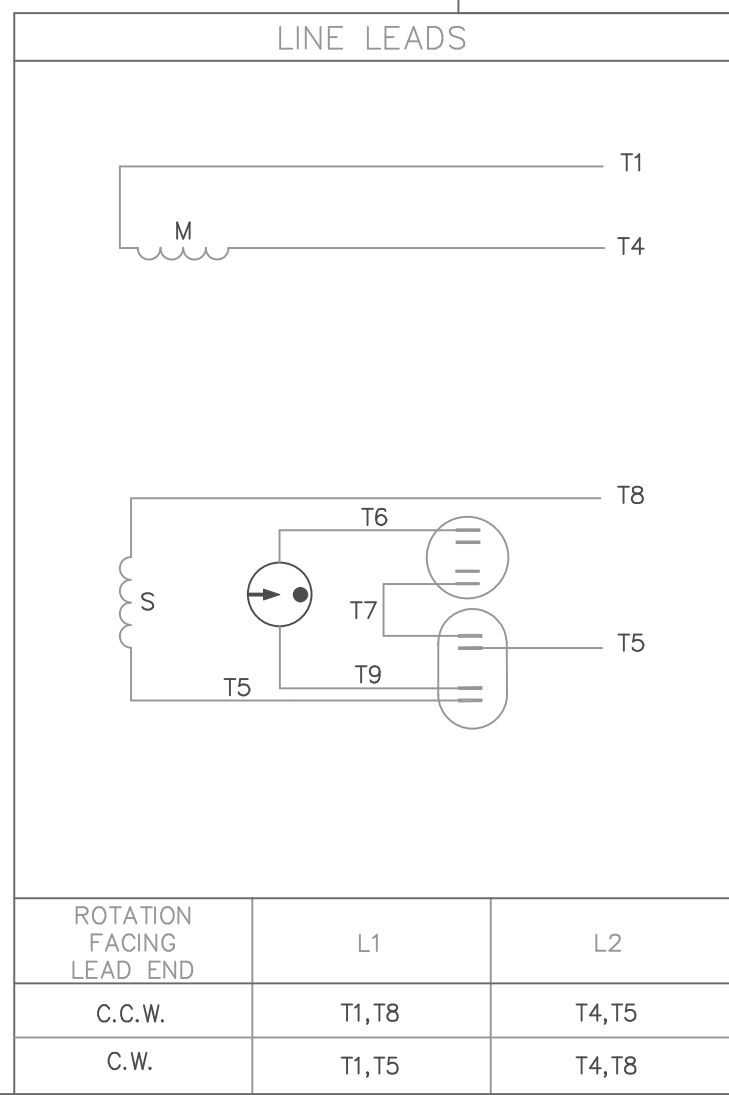
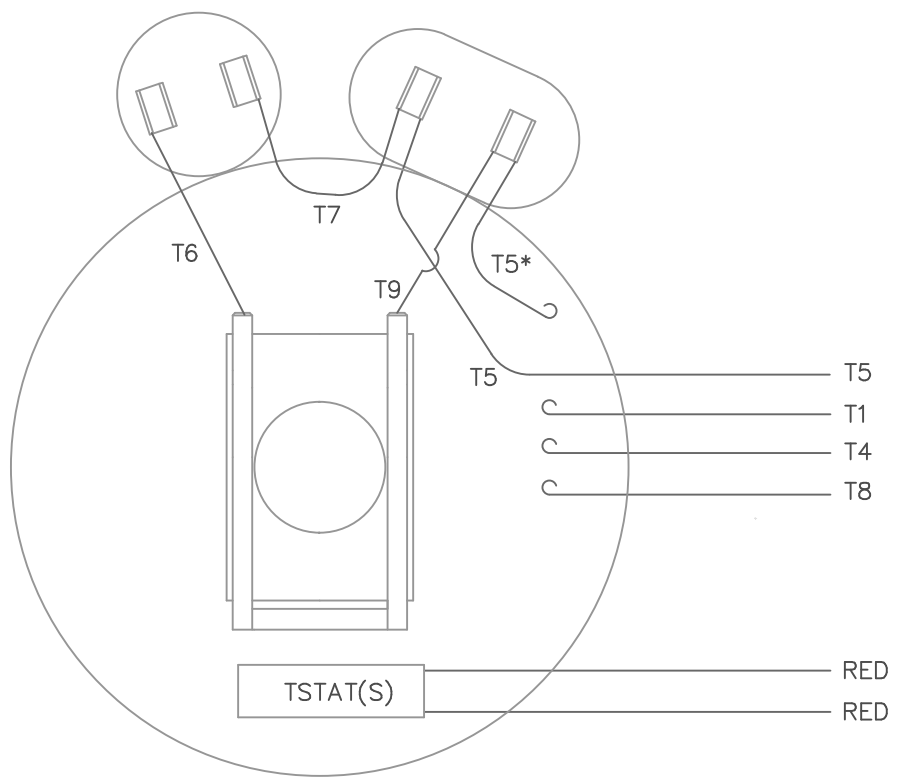
4

3

2

1

VIEW FROM OUTSIDE OF MOTOR AT SWITCH END.



ROTATION FACING LEAD END	L1	L2
C.C.W.	T1,T8	T4,T5
C.W.	T1,T5	T4,T8

\* THIS LEAD MAY BE WHITE

				TOLERANCES UNLESS OTHERWISE SPECIFIED	
				DECIMALS	
				.00	± .01
				.000	± .005
01	ADDED "THIS LEAD MAY BE WHITE" NOTE	BJB	09/15/04	.0000	± .0005
NO.	REVISION	BY	DATE	FRACTIONS	± 1/64
				ANGLES	± 1/2°
				INCH/MM	

**LEESON** ELECTRIC CORPORATION

DRAWN MDN 10/13/98  
CH'K'D.  
APPR.  
SCALE 1=1  
REF.  
FMF

TITLE  
EXTERNAL WIRING DIAGRAM  
TYPE "K" W/O PROTECTOR

MAT'L.  
DECAL - 004018  
TSTAT - 080582

FINISH  
SIZE A  
DRAWING NO.  
005018-30

**BRF**

THIS DRAWING IN DESIGN AND DETAIL IS OUR PROPERTY AND MUST NOT BE USED EXCEPT IN CONNECTION WITH OUR WORK ALL RIGHTS OF DESIGN AND INVENTION ARE RESERVED



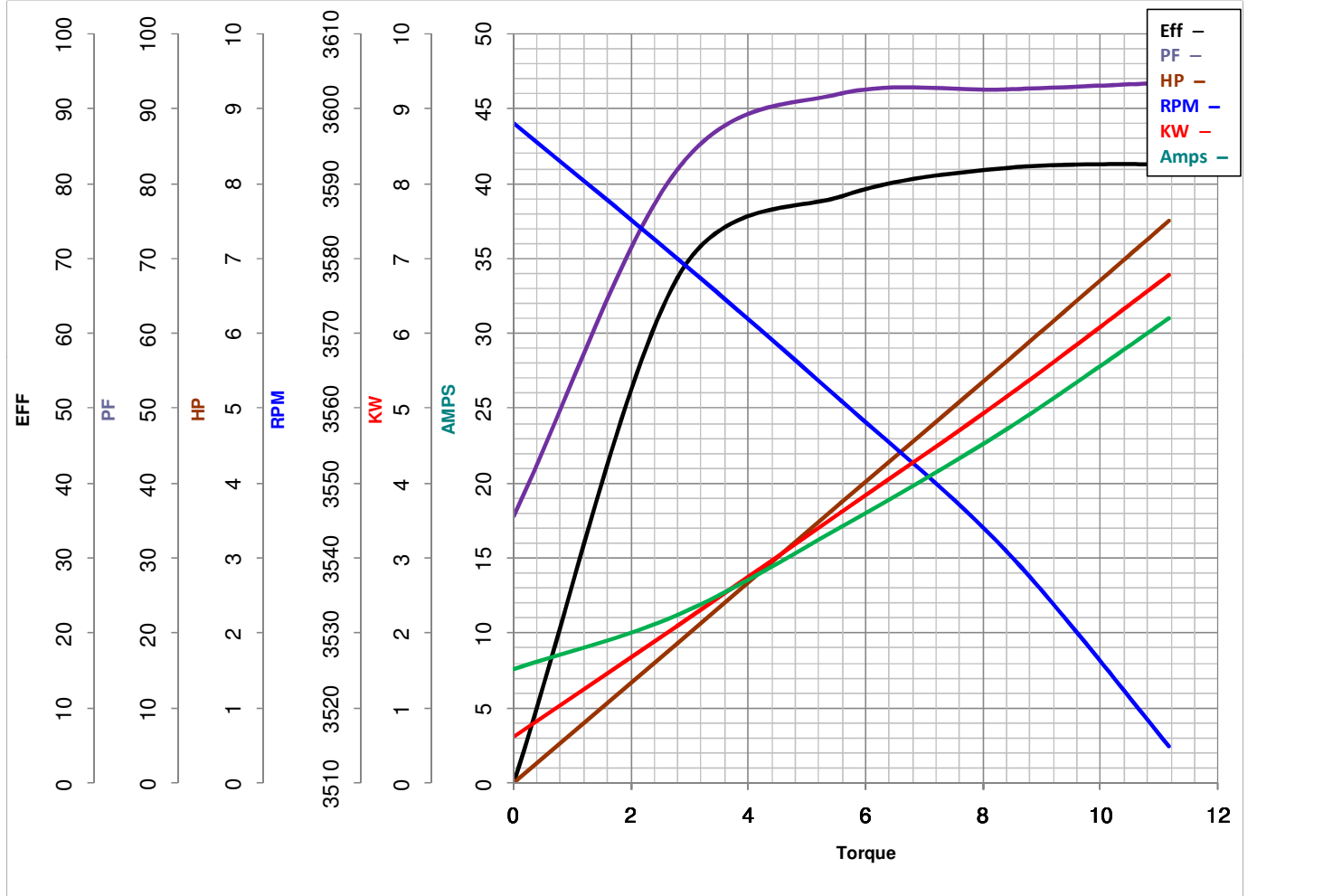
**LEESON ELECTRIC CORPORATION**  
 TYPICAL PERFORMANCE CURVE for AC MOTOR

Model No 131848.00

Catalog No 131848.00

Curve at 230 Volts      HP 7.5&10      PHASE 1  
60 HZ  
7.5 HP      VOLTS 230&230

HZ 60&60      RPM 3450&3450



Torque in Lb.Ft

FL TORQUE 11.17 Lb.Ft  
 BD TORQUE 30.0 Lb.Ft  
 LR TORQUE 26 Lb.Ft

FL AMPS 31  
 PU TORQUE 24.2 Lb.Ft  
 LR AMPS 235

WINDING K8228-2

Date 4/19/2018