

# PRODUCT INFORMATION PACKET



Model No: C182K34NB106A

Catalog No: 132391.00

..5-7HP..3600RPM.182TZ.TEAO.230V.1PH.60HZ.CONT.50C.1.0SF.RIGID.....CROP DRYER.....

Crop Dryer



Regal and Leeson are trademarks of Regal Beloit Corporation or one of its affiliated companies.

©2018 Regal Beloit Corporation, All Rights Reserved. MC017097E





### Nameplate Specifications

Output HP	<b>5 Hp</b>	Output KW	<b>3.7 kW</b>
Frequency	<b>60 Hz</b>	Voltage	<b>230 V</b>
Current	<b>20.8 A</b>	Speed	<b>3450 rpm</b>
Service Factor	<b>1</b>	Phase	<b>1</b>
Efficiency	<b>83 %</b>	Duty	<b>Continuous</b>
Insulation Class	<b>F</b>	Design Code	<b>L</b>
KVA Code	<b>K</b>	Frame	<b>182TZ</b>
Enclosure	<b>Totally Enclosed Air Over</b>	Overload Protector	<b>No</b>
Ambient Temperature	<b>40 °C</b>	Drive End Bearing Size	<b>6206</b>
Opp Drive End Bearing Size	<b>6205</b>	UL	<b>Recognized</b>
CSA	<b>Y</b>	CE	<b>N</b>
IP Code	<b>43</b>		

### Technical Specifications

Electrical Type	<b>Capacitor Start Capacitor Run</b>	Starting Method	<b>Across The Line</b>
Poles	<b>2</b>	Rotation	<b>Selective Counterclockwise</b>
Mounting	<b>Rigid base</b>	Motor Orientation	<b>HORIZONTAL</b>
Drive End Bearing	<b>BALL</b>	Opp Drive End Bearing	<b>BALL</b>
Frame Material	<b>Rolled Steel</b>	Shaft Type	<b>Single Special Extension</b>
Overall Length	<b>17.44 in</b>	Frame Length	<b>12.50 in</b>
Shaft Diameter	<b>1.125 in</b>	Shaft Extension	<b>3.5 in</b>
Assembly/Box Mounting	<b>F3</b>		
Outline Drawing	<b>OL132391</b>	Connection Diagram	<b>005018.30</b>

4

3

2

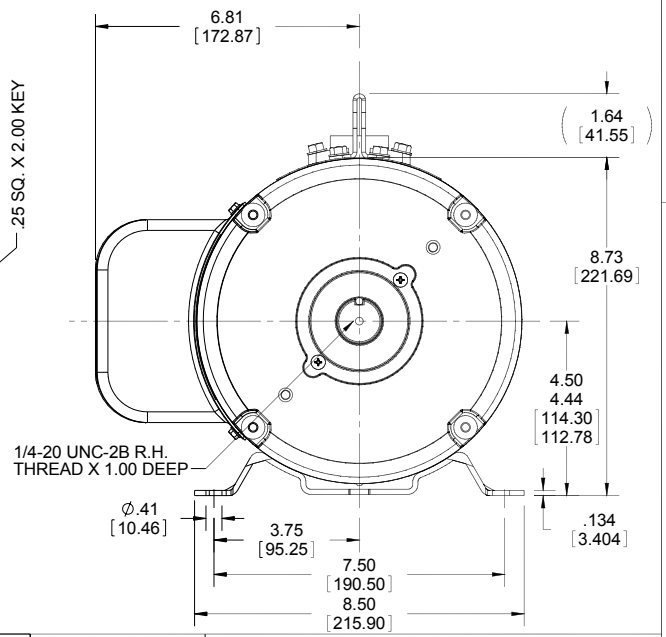
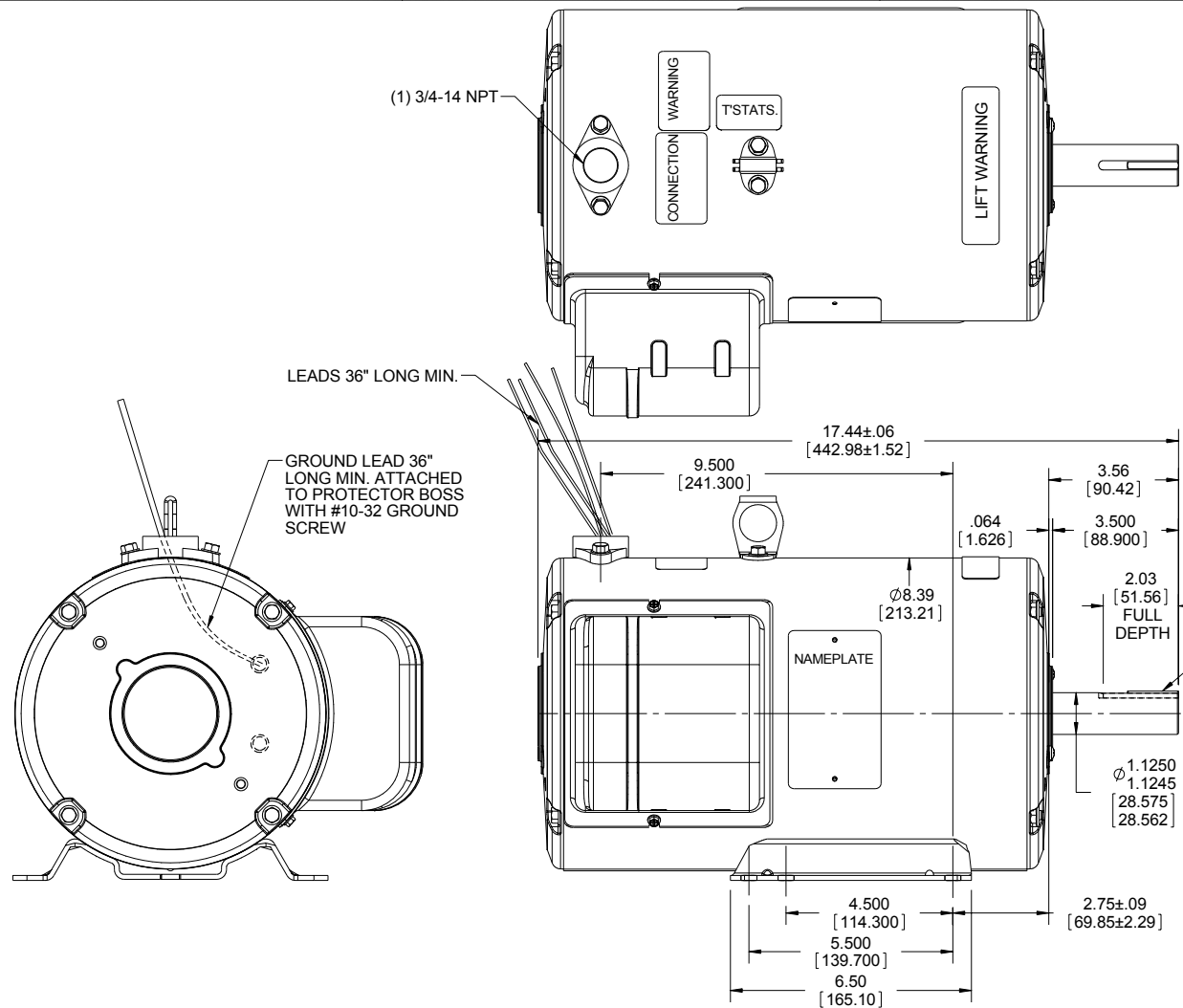
1

B

B

A

A



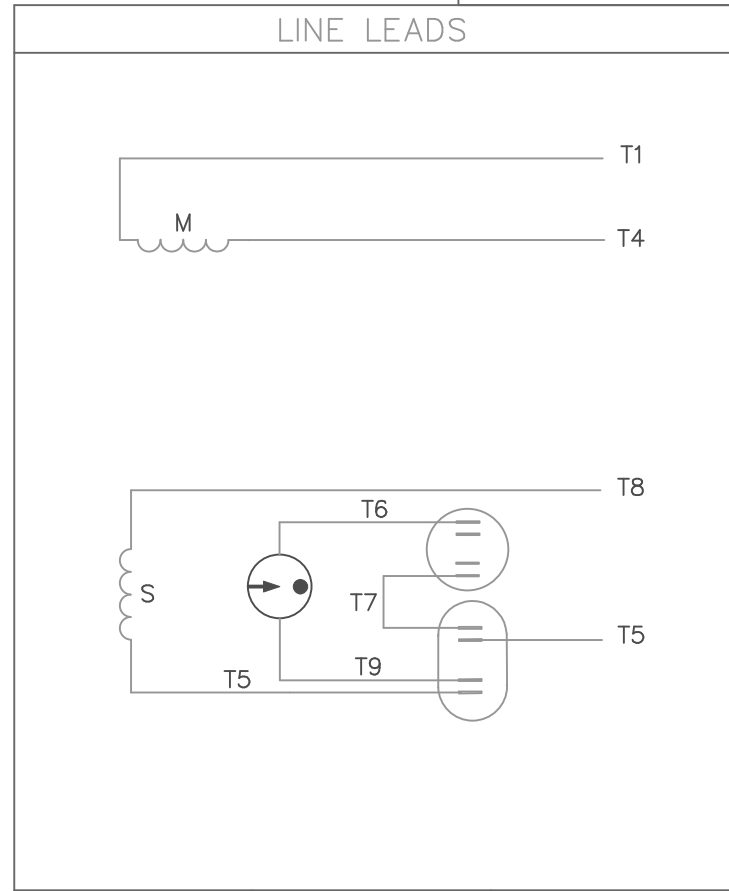
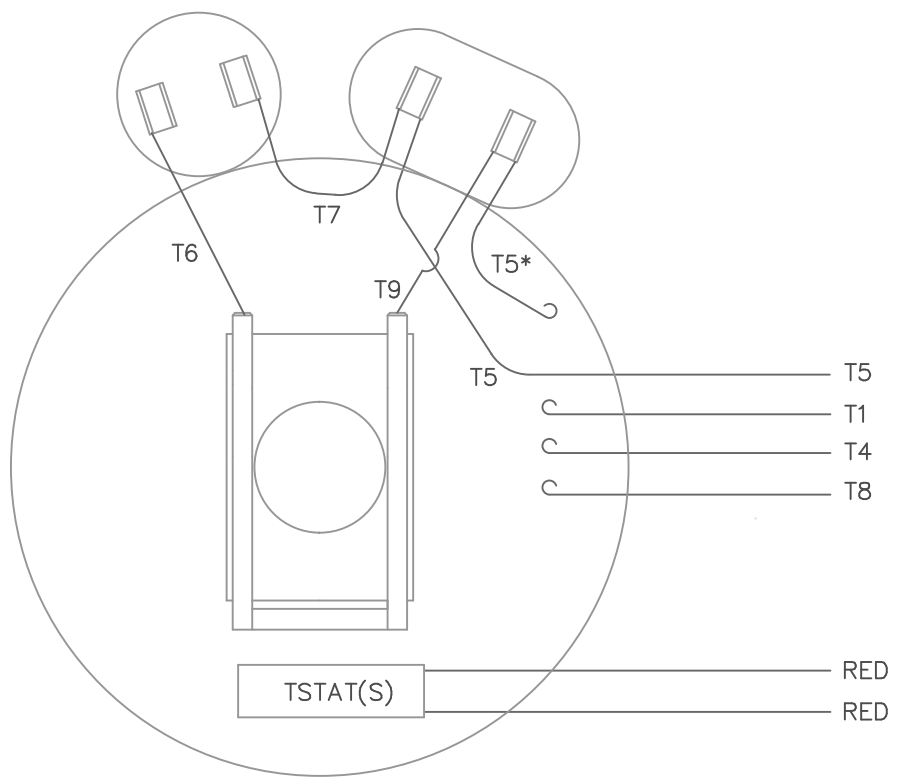
DRAWING REVISION A	REVISION BY SAJID	DATE 07/07/2015
ECO ECO-0080944	APPROVED BY SR	DATE 07/07/2015
ECO DESCRIPTION NEW DRAWING		
<small>COPYRIGHT REGAL BELOIT AMERICA, INC. ALL RIGHTS RESERVED.          PROPRIETARY AND CONFIDENTIAL INFORMATION - THIS DOCUMENT IS THE PROPERTY OF          REGAL BELOIT AMERICA, INC. ("OWNER") AND CONTAINS OWNER'S PROPRIETARY          INFORMATION. ANY PERSON, CORPORATION OR OTHER FIRM RECEIVING IT IS DEEMED,          BY RECEIVING IT, TO AGREE THAT IT, AND/OR ANY PART OF IT, SHALL NOT BE DISCLOSED          TO ANY PERSON, CORPORATION OR OTHER ENTITY, DUPLICATED, AND/OR USED, EXCEPT          AS EXPRESSLY APPROVED IN WRITING IN ADVANCE BY OWNER. THIS DOCUMENT SHALL          BE RETURNED TO OWNER UPON REQUEST. IT MAY BE SUBJECT TO CERTAIN          RESTRICTIONS UNDER APPLICABLE EXPORT CONTROL LAWS AND REGULATIONS.</small>		

TOLERANCES UNLESS OTHERWISE SPECIFIED:		
DEC.	INCH	mm
.X	+0.1	[+2.5]
.XX	+0.03	[+0.76]
.XXX	+0.005	[+0.127]
.XXXX	+0.0005	[+0.0127]
REMOVE BURRS & BREAK SHARP		
EDGES: .003/.015 [0.076/.381] X 45°		
CORNER FILLETS: R.02 [51]		
MACHINED SURFACES: 200		
mm SHOWN IN [BRACKETS]		

DRAWN BY SAJID
DATE 07/07/2015
APPROVED BY SR
DATE 07/07/2015
REFERENCE OL132337
THIRD ANGLE PROJECTION

Regal Beloit America, Inc.	
DESCRIPTION <b>OUTLINE RIGID</b>	
MATERIAL	PROCESS/FINISH
SIZE B	DRAWING NUMBER OL132391
THIRD ANGLE PROJECTION	SHEET 1 OF 1

VIEW FROM OUTSIDE OF MOTOR AT SWITCH END.



ROTATION FACING LEAD END	L1	L2
C.C.W.	T1,T8	T4,T5
C.W.	T1,T5	T4,T8

\* THIS LEAD MAY BE WHITE

				TOLERANCES UNLESS OTHERWISE SPECIFIED	
				DECIMALS	
				.00	± .01
				.000	± .005
01	ADDED "THIS LEAD MAY BE WHITE" NOTE	BJB	09/15/04	.0000	± .0005
NO.	REVISION	BY	DATE	FRACTIONS	± 1/64
				ANGLES	± 1/2°
				INCH/MM	

**LEESON** ELECTRIC CORPORATION

DRAWN MDN 10/13/98  
 CH'K'D.  
 APPR.  
 SCALE 1=1  
 REF.  
 FMF

TITLE  
 EXTERNAL WIRING DIAGRAM  
 TYPE "K" W/O PROTECTOR

MAT'L.  
 DECAL - 004018  
 TSTAT - 080582

FINISH  
 SIZE A  
 DRAWING NO.  
 005018-30

**BRF**

THIS DRAWING IN DESIGN AND DETAIL IS OUR PROPERTY AND MUST NOT BE USED EXCEPT IN CONNECTION WITH OUR WORK ALL RIGHTS OF DESIGN AND INVENTION ARE RESERVED



**LEESON ELECTRIC CORPORATION**  
 TYPICAL PERFORMANCE CURVE for AC MOTOR

Model No 132391.00

Catalog No 132391.00

Curve at 230  
60  
5

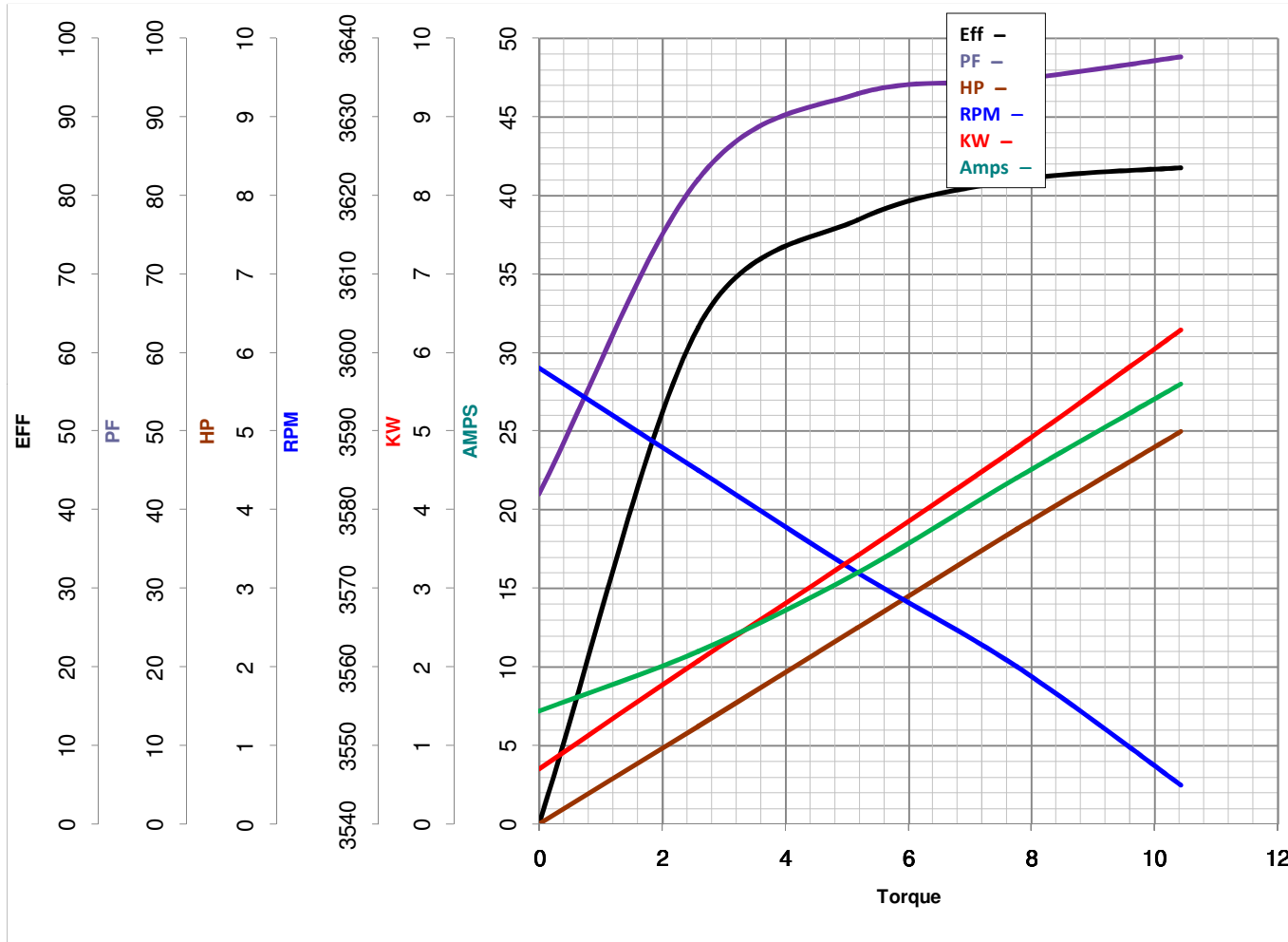
Volts  
 HZ  
 HP

HP 5&7  
 VOLTS 230&230

PHASE 1

HZ 60&60

RPM 3450&3450



Torque in lb-Ft

FL TORQUE 10.42 lb-Ft  
 BD TORQUE 30.0 lb-Ft  
 LR TORQUE 28 lb-Ft

FL AMPS 20.82  
 PU TORQUE 27.0 lb-Ft  
 LR AMPS 239

WINDING K8243-2

Date 4/10/2018