

# PRODUCT INFORMATION PACKET



Model No: C182T17FZ22A

Catalog No: 132552.00

..3HP..1800RPM.182TYZ.TEFC.208-230/460VAC.3PH.60HZ.CONT.40C.1.15 SF.2-Bolt SAE A.....

Hydraulic



Regal and Leeson are trademarks of Regal Beloit Corporation or one of its affiliated companies.

©2018 Regal Beloit Corporation, All Rights Reserved. MC017097E





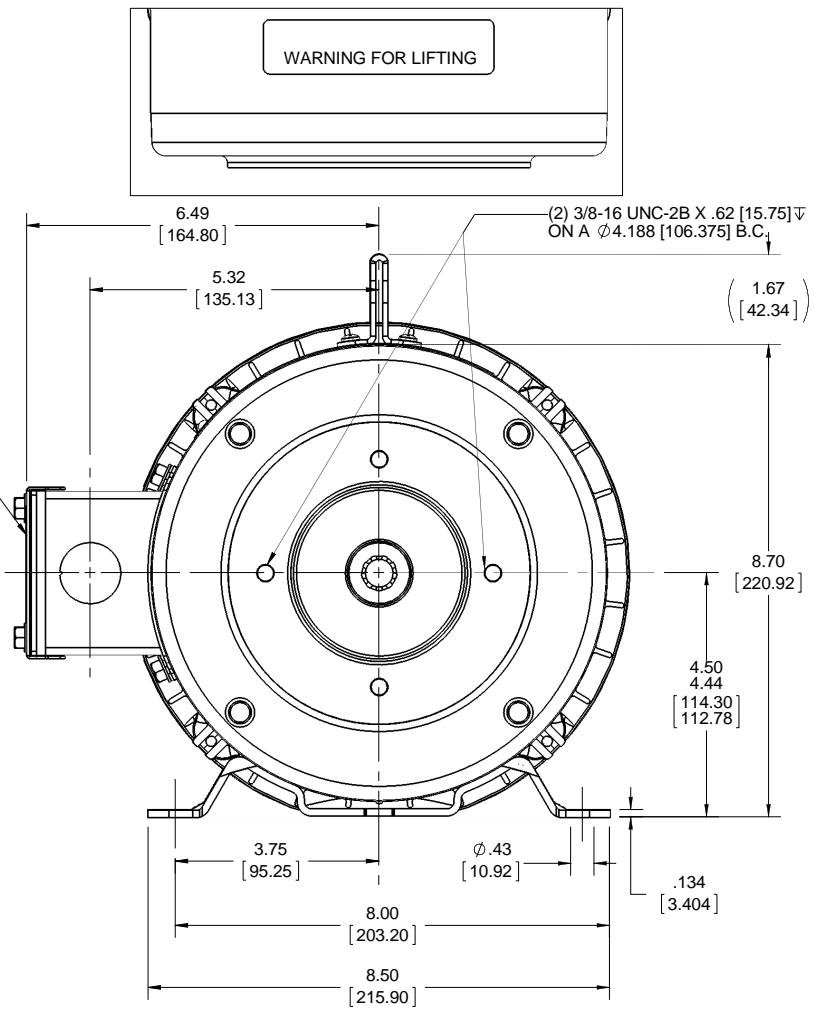
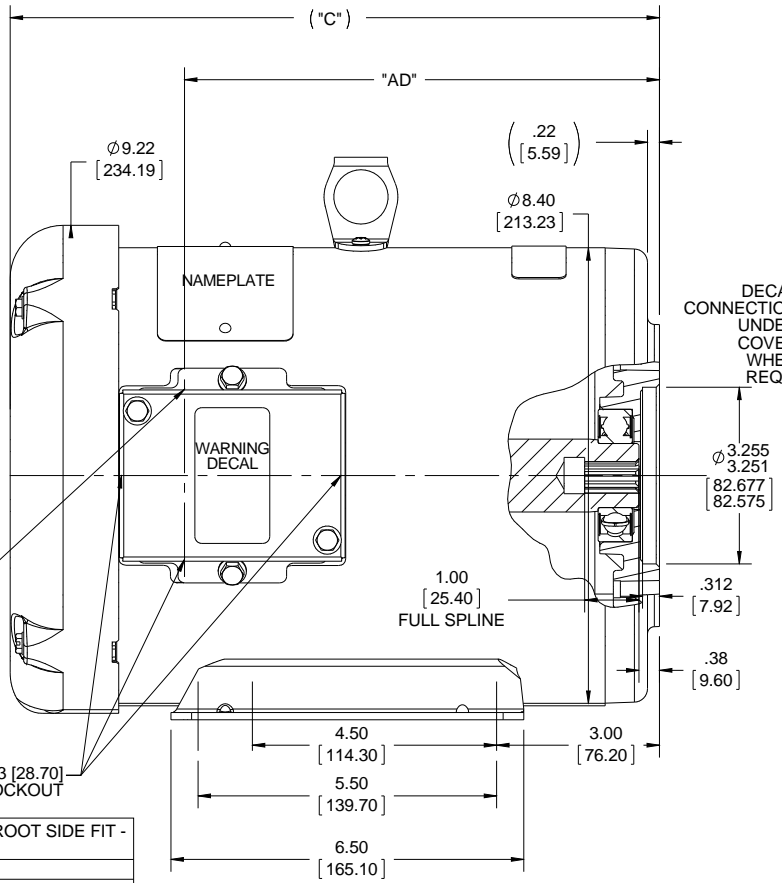
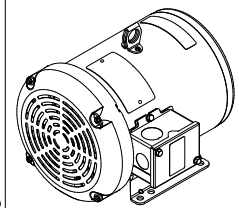
### Nameplate Specifications

Output HP	<b>3 Hp</b>	Output KW	<b>2.2 kW</b>
Frequency	<b>60 Hz</b>	Voltage	<b>208-230/460 V</b>
Current	<b>8.4-7.8/3.9 A</b>	Speed	<b>1770 rpm</b>
Service Factor	<b>1.15</b>	Phase	<b>3</b>
Efficiency	<b>89.5 %</b>	Duty	<b>Continuous</b>
Insulation Class	<b>F</b>	Design Code	<b>B</b>
KVA Code	<b>K</b>	Frame	<b>182TZ</b>
Enclosure	<b>Totally Enclosed Fan Cooled</b>	Overload Protector	<b>No</b>
Ambient Temperature	<b>40 °C</b>	Drive End Bearing Size	<b>6206</b>
Opp Drive End Bearing Size	<b>6205</b>	UL	<b>Recognized</b>
CSA	<b>Y</b>	CE	<b>Y</b>
IP Code	<b>43</b>		

### Technical Specifications

Electrical Type	<b>Squirrel Cage Inverter Rated</b>	Starting Method	<b>Line Or Inverter</b>
Poles	<b>4</b>	Rotation	<b>Reversible</b>
Mounting	<b>Rigid base</b>	Motor Orientation	<b>HORIZONTAL</b>
Drive End Bearing	<b>BALL</b>	Opp Drive End Bearing	<b>BALL</b>
Frame Material	<b>Rolled Steel</b>	Shaft Type	<b>Single Special Extension</b>
Overall Length	<b>11.96 in</b>	Frame Length	<b>9.00 in</b>
Shaft Diameter	<b>1.187 in</b>	Shaft Extension	<b>SAE SPLINE SHAFT in</b>
Assembly/Box Mounting	<b>F1/F2 CAPABLE</b>		
Outline Drawing	<b>608-0003-900</b>	Connection Diagram	<b>005010.01</b>

PART NUMBER	ORACLE PART REV.	EDGE PART REV.
608-0003	01	B



INTERNAL INVOLUTE SPLINE FLAT ROOT SIDE FIT - CLASS 5 FIT	
NO. OF TEETH	9
SPLINE PITCH	16/32
PRESSURE ANGLE	30°
BASE DIAMETER	.4871 [12.3723] REF.
PITCH DIAMETER	.5625 [14.2875] REF.
MAJOR DIAMETER	.651 [16.5354] MAX
FORM DIAMETER	.629 [15.9766]
MINOR DIAMETER	.509/.514 [12.9286/13.0556]
CIRCULAR SPACE WIDTH	
MAXIMUM ACTUAL	.1008 [2.5603]
MINIMUM EFFECTIVE	.0982 [2.4943]
SIZE BETWEEN	BHT .399/.401 [10.135/10.185]
Ø .108 [2.743] PINS	AHT .399/.402 [10.135/10.211]
ANSI B92.1-1996 PROVISIONS APPLY	

DASH NO	"C"	"AD"
900	11.96	8.75
1000	12.96	9.75

GASKETS THROUGHOUT  
MAXIMUM SPLINE PITCH DIAMETER RUNOUT TO BE .004 [.102] T.I.R.

DRAWING REVISION C	REVISION BY SS	DATE 03/21/16
ECO ECO-0098659	APPROVED BY SS	DATE 03/21/16
ECO DESCRIPTION TABLE ADDED		
<small>COPYRIGHT REGAL BELOIT AMERICA, INC. ALL RIGHTS RESERVED.                  PROPRIETARY AND CONFIDENTIAL INFORMATION - THIS DOCUMENT IS THE PROPERTY OF                  REGAL BELOIT AMERICA, INC. ('OWNER') AND CONTAINS OWNER'S PROPRIETARY                  INFORMATION. ANY PERSON, CORPORATION OR OTHER FIRM RECEIVING IT IS DEEMED,                  BY RECEIVING IT, TO AGREE THAT IT, AND/OR ANY PART OF IT, SHALL NOT BE DISCLOSED                  TO ANY PERSON, CORPORATION OR OTHER ENTITY, DUPLICATED, AND/OR USED, EXCEPT                  AS EXPRESSLY APPROVED IN WRITING IN ADVANCE BY OWNER. THIS DOCUMENT SHALL                  BE RETURNED TO OWNER UPON REQUEST. IT MAY BE SUBJECT TO CERTAIN                  RESTRICTIONS UNDER APPLICABLE EXPORT CONTROL LAWS AND REGULATIONS.</small>		

TOLERANCES UNLESS OTHERWISE SPECIFIED:			
DEC.	INCH	mm	ANGLE
.X	±0.1	[±2.5]	±0.5°
.XX	±0.03	[±0.76]	
.XXX	±0.005	[±0.127]	
.XXXX	±0.0005	[±0.0127]	
REMOVE BURRS & BREAK SHARP			
EDGES: .003/.015 [.076/.381]			
CORNER FILLETS: .02 [.51]			
MACHINED SURFACES: 125 INCH 3.2 mm SHOWN IN [BRACKETS]			

DRAWN BY MITCH VERBICK
DATE 1/16/2014
APPROVED BY
DATE
PROCESS/FINISH
THIRD ANGLE PROJECTION

Regal Beloit America, Inc.	
DESCRIPTION	<b>OUTLINE</b> <b>180 FR TEFC SAE A 2-BOLT</b>
MATERIAL	
SIZE	B
DRAWING NUMBER	608-0003
SHEET	1 OF 1

005010-01

VIEW FROM OUTSIDE OF MOTOR AT SWITCH END.



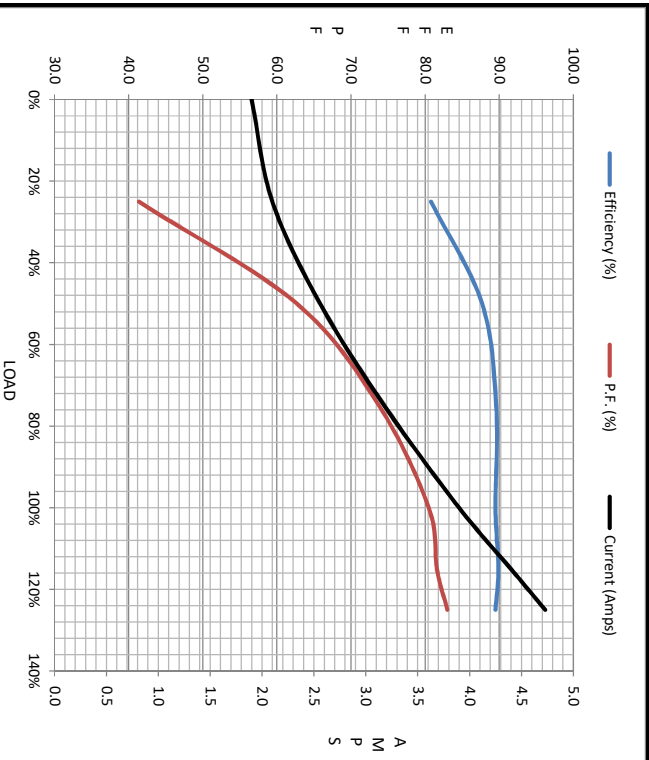
VOLTAGE	L1	L2	L3	JOIN & INSULATE
HIGH	T1	T2	T3	(T4,T7) (T5,T8) (T6,T9)
LOW	T1,T7	T2,T8	T3,T9	T4,T5,T6

		TOLERANCES UNLESS SPECIFIED		<b>Regal Beloit America, Inc.</b>		DRAWN RDW 04/12/02		
		DEC.	INCHES			CHK		
		.X	±.1	TITLE EXTERNAL WIRING DIAGRAM 3 PHASE W/O PROTECTOR		APPD		
		.XX	±.01			SCALE 1=1		
		.XXX	±.005			REF FIG.2-51		
A	UPDATED TO REGAL LOGO	SAJ 06/26/15	AJY .XXXX ±.0005	MAT'L. DECAL - 004014		FMF		
NO.	REVISION	BY & DATE	CHK ANG ±1/2°	FINISH		PREV		
THIS DRAWING IN DESIGN AND DETAIL IS OUR PROPERTY AND MUST NOT BE USED EXCEPT IN CONNECTION WITH OUR WORK ALL RIGHTS OF DESIGN AND INVENTION ARE RESERVED THIS IS AN ELECTRONICALLY GENERATED DOCUMENT - DO NOT SCALE THIS PRINT			RFP 04/12/02	CAD FILE 00501001		SIZE A	DRAWING NO. 005010-01	REV. A
			DIST BRF-NLV					



Motor Load Data								
Load	0%	25%	50%	75%	100%	115%	125%	LR
Current (Amps)	1.90	2.10	2.56	3.2	3.9	4.4	4.7	33.5
Torque (ft-lb)	0.00	2.20	4.4	6.6	8.9	10.3	11.2	22.5
RPM	1800	1792	1785	1777	1770	1766	1755	0
Efficiency (%)		80.8	87.7	89.6	89.5	89.9	89.5	
P.F. (%)	6.9	41.4	62.7	73.8	80.5	81.6	83.0	0.0

Motor Speed Data					Information Block					
Speed (RPM)	LR	Pull-Up	BD	Rated	Idle	HP	Sync. RPM	Frame	Enclosure	Construction
0		900	1656	1770	1800	3.0	1800	182	TEFC	TFW
Current (Amps)	33.5	33.0	21.5	3.9	1.90					208-230/460#190/380
Torque (ft-lb)	22.5	21.0	36.0	8.9	0.00					60
										Hz
										Design
										LR Code letter
										K
										Service Factor
										1.15
										Temp Rise @ FL
										40
										°C
										CON'T
										Ambient
										40
										°C
										Elevation
										1,000
										feet
										Rotor/Shaft wk²
										0.38
										LB-Ft²
										Ref Wdg
										T84174 FR
										Sound Pressure @ 1M
										0
										dB(A)
										VFD Rating
										CONSTANT 10:1
										Outline Dwg
										608-0003-900
										Conn. Diag
										005010.01
										Additional Specifications:
										0
										EQUIV CKT (OHMS / PHASE)
										R1
										R2
										X1
										X2
										Xm
										0.0000



Efficiency (%)	P.F. (%)	Current (Amps)
4.5	6.9	1.9
20	22.5	2.1
40	41.4	2.56
60	62.7	3.2
80	73.8	3.9
100	83.0	4.7

