

# PRODUCT INFORMATION PACKET



Model No: C182T17FZ23A

Catalog No: 132553.00

..3HP..1800RPM.182TYZ.TEFC.208-230/460VAC.3PH.60HZ.CONT.40C.1.15 SF.2-Bolt SAE B.....  
Hydraulic



Regal and Leeson are trademarks of Regal Beloit Corporation or one of its affiliated companies.  
©2018 Regal Beloit Corporation, All Rights Reserved. MC017097E





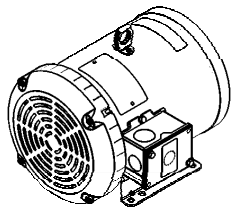
### Nameplate Specifications

Output HP	<b>3 Hp</b>	Output KW	<b>2.2 kW</b>
Frequency	<b>60 Hz</b>	Voltage	<b>208-230/460 V</b>
Current	<b>8.4-7.8/3.9 A</b>	Speed	<b>1770 rpm</b>
Service Factor	<b>1.15</b>	Phase	<b>3</b>
Efficiency	<b>89.5 %</b>	Duty	<b>Continuous</b>
Insulation Class	<b>F</b>	Design Code	<b>B</b>
KVA Code	<b>K</b>	Frame	<b>182TZ</b>
Enclosure	<b>Totally Enclosed Fan Cooled</b>	Overload Protector	<b>No</b>
Ambient Temperature	<b>40 °C</b>	Drive End Bearing Size	<b>6207</b>
Opp Drive End Bearing Size	<b>6205</b>	UL	<b>Recognized</b>
CSA	<b>Y</b>	CE	<b>N</b>
IP Code	<b>43</b>		

### Technical Specifications

Electrical Type	<b>Squirrel Cage Inverter Rated</b>	Starting Method	<b>Line Or Inverter</b>
Poles	<b>4</b>	Rotation	<b>Reversible</b>
Mounting	<b>Rigid base</b>	Motor Orientation	<b>HORIZONTAL</b>
Drive End Bearing	<b>BALL</b>	Opp Drive End Bearing	<b>BALL</b>
Frame Material	<b>Rolled Steel</b>	Shaft Type	<b>Single Special Extension</b>
Overall Length	<b>12.17 in</b>	Frame Length	<b>9.00 in</b>
Shaft Diameter	<b>1.187 in</b>	Shaft Extension	<b>SAE SPLINE SHAFT in</b>
Assembly/Box Mounting	<b>F1 ONLY</b>		
Outline Drawing	<b>608-0007-900</b>	Connection Diagram	<b>005010.01</b>

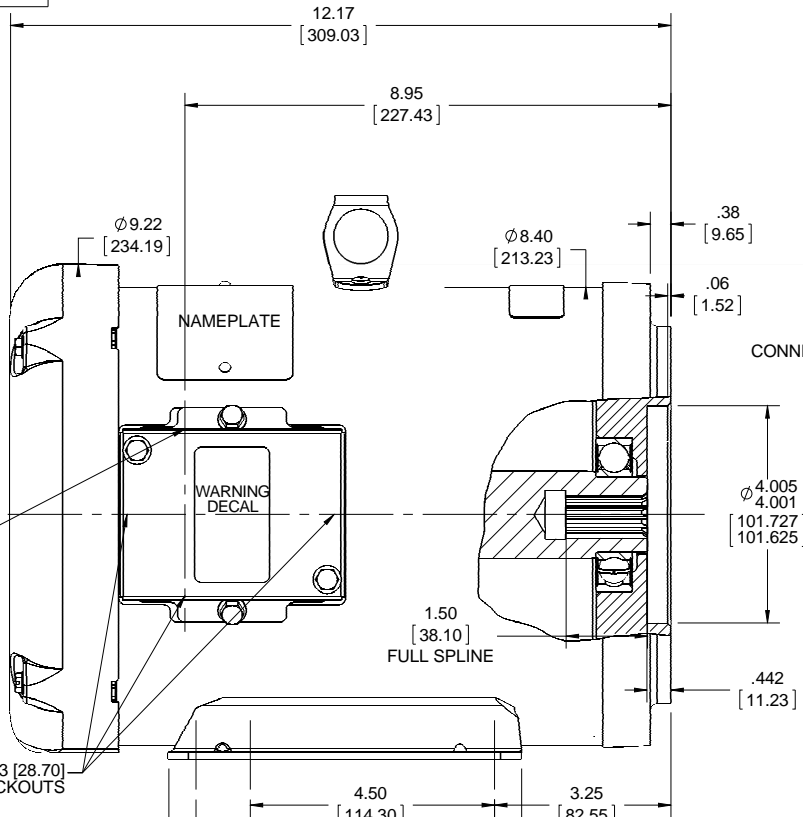
PART NUMBER	ORACLE PART REV.	EDGE PART REV.
608-0007	01	B



B

A

INTERNAL INVOLUTE SPLINE FLAT ROOT SIDE FIT - CLASS 5 FIT	
NO. OF TEETH	13
SPLINE PITCH	16/32
PRESSURE ANGLE	30°
BASE DIAMETER	.7036 [17.8714] REF.
PITCH DIAMETER	.8125 [20.6375]
MAJOR DIAMETER	.897 [22.784] MAX
FORM DIAMETER	.879 [22.327]
MINOR DIAMETER	.755/.750 [19.177/19.050]
CIRCULAR SPACE WIDTH	
MAXIMUM ACTUAL	.1008 [2.5603]
MINIMUM EFFECTIVE	.0982 [2.4943]
SIZE BETWEEN	BHT .654/.656 [16.612/16.662]
Ø.108[2.743] PINS	AHT .652/.654 [16.561/16.612]
ANSI B92.1-1996 PROVISIONS APPLY	



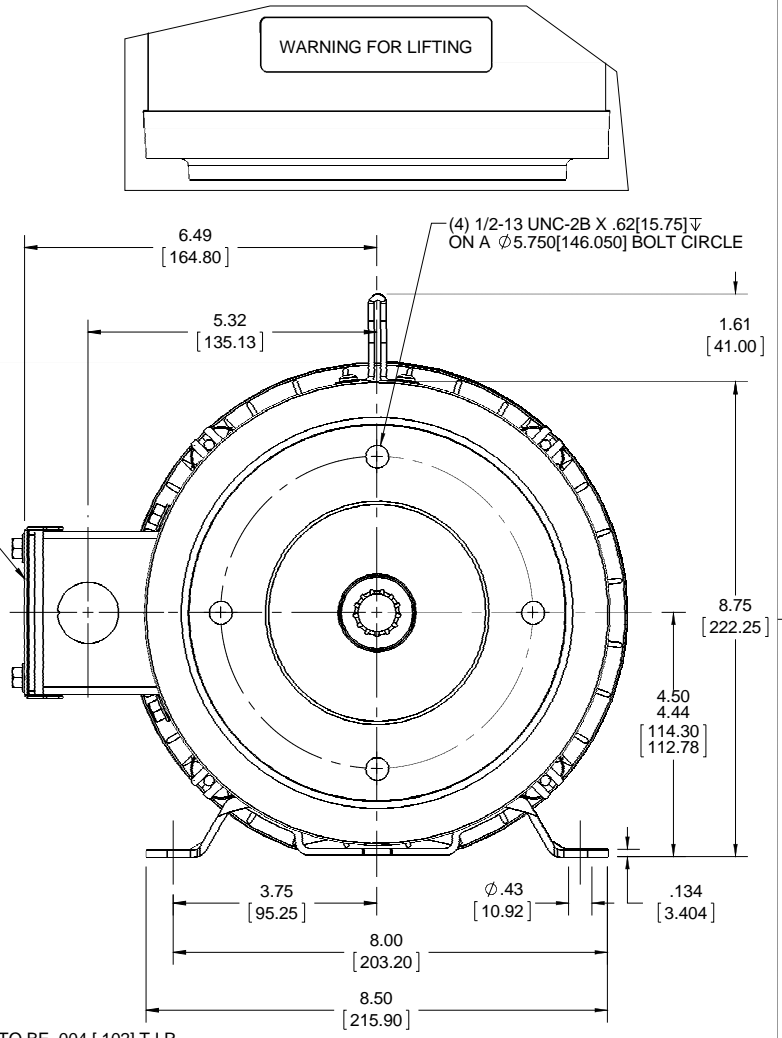
DASH NO	"C"	"AD"
900	12.17	8.95
1000	13.17	9.95

DRAWING REVISION C	REVISION BY SS	DATE 03/22/16
ECO ECO-0098710	APPROVED BY SS	DATE 03/22/16
ECO DESCRIPTION		
TABLE ADDED		
COPYRIGHT REGAL BELOIT AMERICA, INC. ALL RIGHTS RESERVED. PROPRIETARY AND CONFIDENTIAL INFORMATION - THIS DOCUMENT IS THE PROPERTY OF REGAL BELOIT AMERICA, INC. (OWNER) AND CONTAINS OWNER'S PROPRIETARY INFORMATION. ANY PERSON, CORPORATION OR OTHER FIRM RECEIVING IT IS DEEMED, BY RECEIVING IT, TO AGREE THAT IT, AND/OR ANY PART OF IT, SHALL NOT BE DISCLOSED TO ANY PERSON, CORPORATION OR OTHER ENTITY, DUPLICATED, AND/OR USED, EXCEPT AS EXPRESSLY APPROVED IN WRITING IN ADVANCE BY OWNER. THIS DOCUMENT SHALL BE RETURNED TO OWNER UPON REQUEST. IT MAY BE SUBJECT TO CERTAIN RESTRICTIONS UNDER APPLICABLE EXPORT CONTROL LAWS AND REGULATIONS.		

TOLERANCES UNLESS OTHERWISE SPECIFIED:			
DEC.	INCH	mm	ANGLE
X	+0.1	[+2.5]	±0.5°
XX	+0.03	[+0.76]	
XXX	+0.005	[+0.127]	
XXXX	+0.0005	[+0.0127]	
REMOVE BURRS & BREAK SHARP EDGES: .003/.015 [0.076/381] CORNER FILLETS: .02 [51] MACHINED SURFACES: 125/3.2 INCH/mm			
mm SHOWN IN [BRACKETS]			

DRAWN BY MITCH VERBICK
DATE 2/4/2014
APPROVED BY
DATE
PROCESS/FINISH
THIRD ANGLE PROJECTION

	Regal Beloit America, Inc.
DESCRIPTION	
OUTLINE 180 FR TEFC SAE B 2-BOLT	
MATERIAL	
SIZE B	DRAWING NUMBER 608-0007
SHEET 1 OF 1	



B

A

4

3

2

1

005010-01

VIEW FROM OUTSIDE OF MOTOR AT SWITCH END.



VOLTAGE	L1	L2	L3	JOIN & INSULATE
HIGH	T1	T2	T3	(T4,T7) (T5,T8) (T6,T9)
LOW	T1,T7	T2,T8	T3,T9	T4,T5,T6

				TOLERANCES UNLESS SPECIFIED		<b>Regal Beloit America, Inc.</b>		DRAWN RDW 04/12/02				
				DEC.	INCHES			CHK				
				.X	±.1			APPD				
				.XX	±.01			SCALE 1=1				
				.XXX	±.005	TITLE		REF FIG.2-51				
A	UPDATED TO REGAL LOGO			SAJ	06/26/15	AJY	.XXXX	±.0005	MAT'L. DECAL - 004014	FMF		
NO.	REVISION			BY & DATE	CHK	ANG	±1/2"	FINISH	PREV			
THIS DRAWING IN DESIGN AND DETAIL IS OUR PROPERTY AND MUST NOT BE USED EXCEPT IN CONNECTION WITH OUR WORK ALL RIGHTS OF DESIGN AND INVENTION ARE RESERVED THIS IS AN ELECTRONICALLY GENERATED DOCUMENT - DO NOT SCALE THIS PRINT				RFP	04/12/02		CAD FILE	00501001		SIZE	DRAWING NO.	REV.
				DIST	BRF-NLV				A	005010-01		A



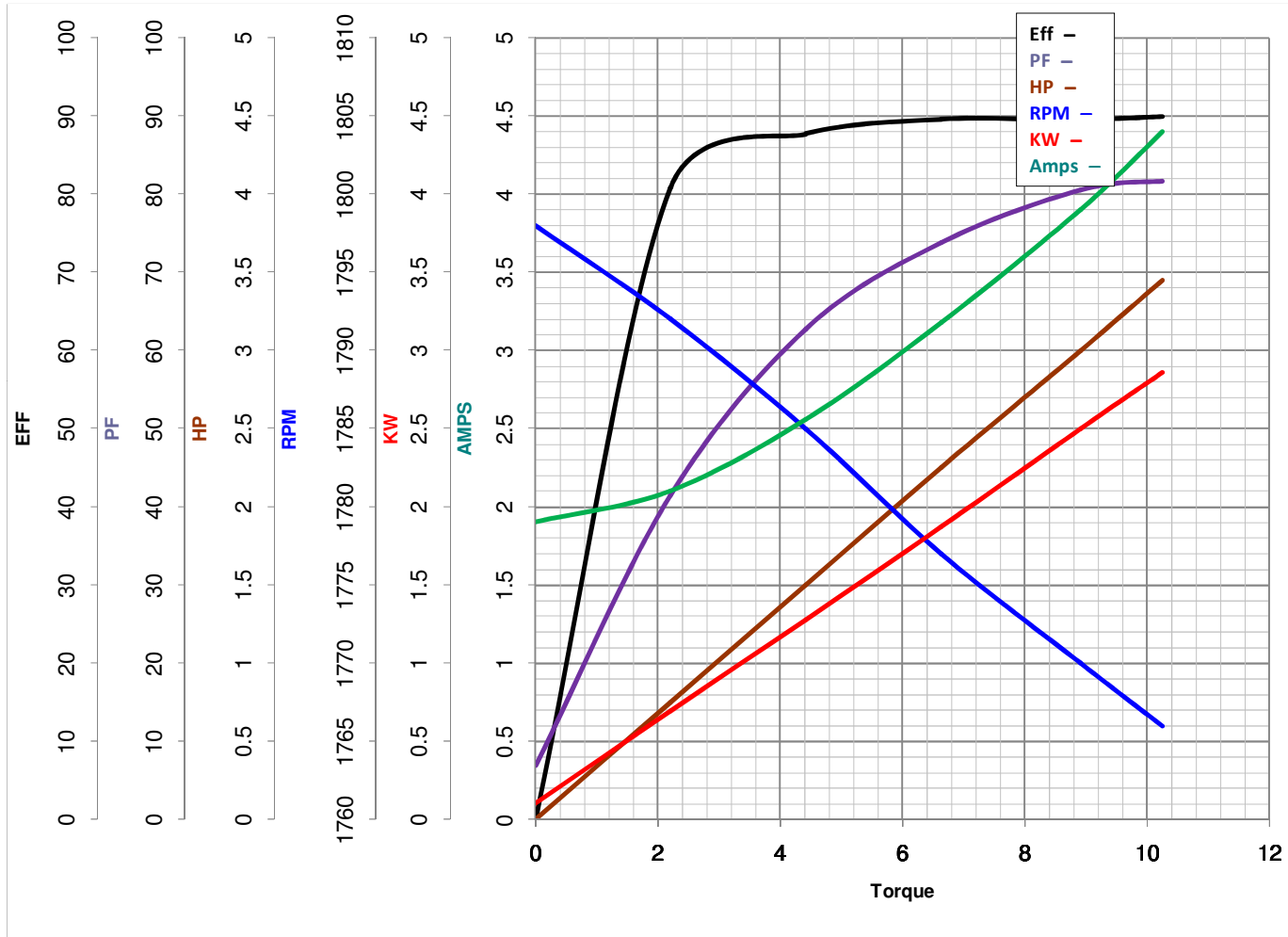
**LEESON ELECTRIC CORPORATION**  
 TYPICAL PERFORMANCE CURVE for AC MOTOR

Model No 132553.00

Catalog No 132553.00

Curve at 460 Volts      HP 3&2      PHASE 3  
60 HZ  
3 HP      VOLTS 208-230/460&190/380

HZ 60&50      RPM 1770&1475



Torque in Lb.Ft

FL TORQUE 8.914 Lb.Ft  
 BD TORQUE 36.0 Lb.Ft  
 LR TORQUE 22.5 Lb.Ft

FL AMPS 8.4-7.8/3.9  
 PU TORQUE 21.0 Lb.Ft  
 LR AMPS 33.5

WINDING T84174-3

Date 6/5/2018