

PRODUCT INFORMATION PACKET



Model No: C182T17WK20A

Catalog No: 132442.00

..3HP..1800RPM.182JM.TEFC.230/460V.3PH.60HZ.CONT.40C.1.15SF.JM PUMP.....WASHDOWN
MOTORS.....

Jm Pump



Regal and Leeson are trademarks of Regal Beloit Corporation or one of its affiliated companies.

©2018 Regal Beloit Corporation, All Rights Reserved. MC017097E



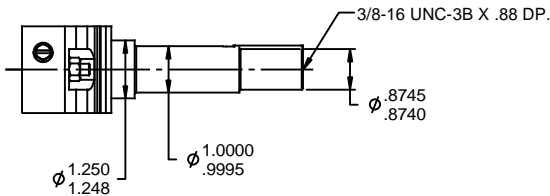
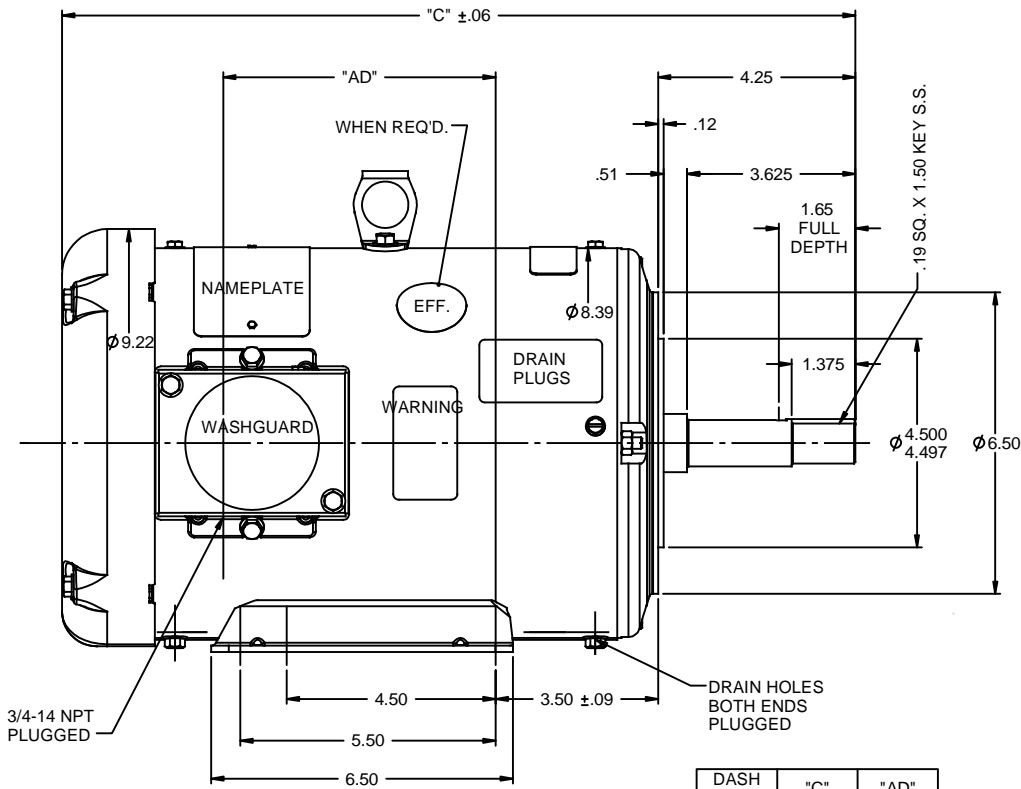


Nameplate Specifications

Output HP	3 Hp	Output KW	2.2 kW
Frequency	60 Hz	Voltage	208-230/460 V
Current	8.4-7.8/3.9 A	Speed	1770 rpm
Service Factor	1.15	Phase	3
Efficiency	89.5 %	Duty	Continuous
Insulation Class	F	Design Code	B
KVA Code	K	Frame	182JM
Enclosure	Totally Enclosed Fan Cooled	Overload Protector	No
Ambient Temperature	40 °C	Drive End Bearing Size	6207
Opp Drive End Bearing Size	6205	UL	Recognized
CSA	Y	CE	Y
IP Code	55		

Technical Specifications

Electrical Type	Squirrel Cage Induction Run	Starting Method	Across The Line
Poles	4	Rotation	Reversible
Mounting	Rigid base	Motor Orientation	HORIZONTAL
Drive End Bearing	BALL	Opp Drive End Bearing	BALL
Frame Material	Rolled Steel	Shaft Type	JM
Overall Length	16.13 in	Frame Length	9.00 in
Shaft Diameter	0.875 in	Shaft Extension	4.28 in
Assembly/Box Mounting	F1/F2 CAPABLE		
Outline Drawing	035480-900	Connection Diagram	005010.01

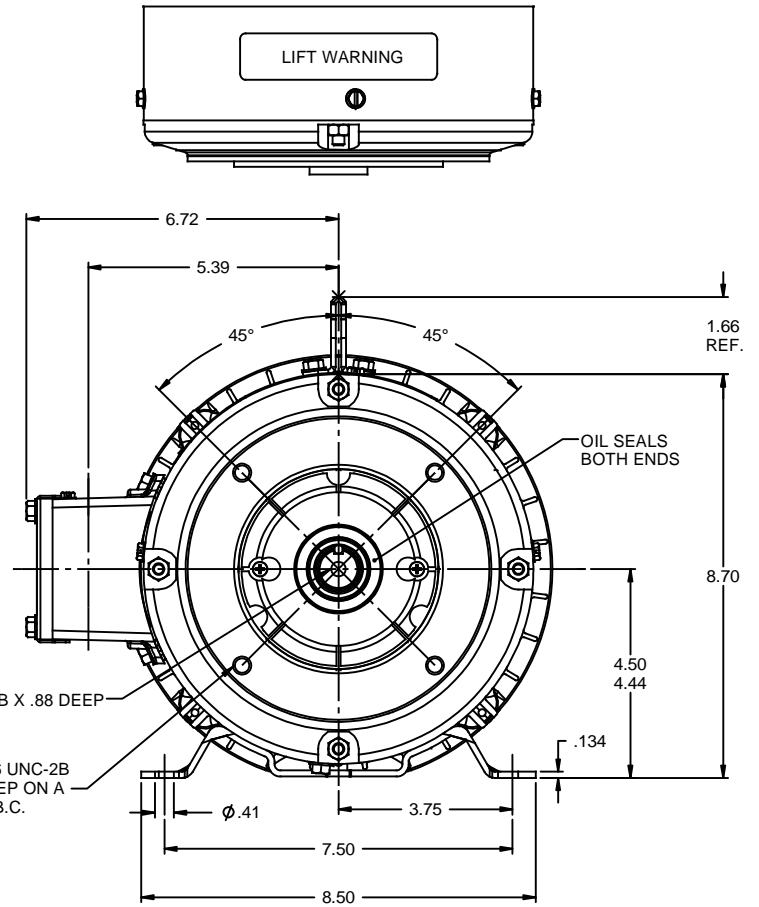


SHAFT DETAIL

DASH NO.	"C"	"AD"
900	16.13	4.87
950	16.63	5.37
1000	17.13	5.87
1050	17.63	6.37
1100	18.13	6.87
1150	18.63	7.37

SPECIAL FEATURES:
 SHAFT SEAL & V-RING
 DRAIN HOLES IN FRAME & CONDUIT BOX
 STAINLESS STEEL SHAFT, HARDWARE & NAMEPLATE
 GASKETS THROUGHOUT

MAXIMUM FACE RUNOUT TO BE .004 T.I.R.
 MAXIMUM PILOT ECCENTRICITY TO BE .004 T.I.R.
 PERMISSIBLE SHAFT RUNOUT TO BE .002 T.I.R.



				TOLERANCES UNLESS SPECIFIED		DRAWN LST 7/23/03	
				DEC	INCHES	CHK	
				x	±.1	APPR RW 7/29/03	
				.xx	±.03	SCALE 3:8	
				xx	±.005	REF 035357	
				xx	±.0005	FMF	
NO	REVISION	BY & DATE	CHK	ANG	±1/2°	FINISH	PAGE OF
			RFP			PREV	SIZE DRAWING NO
						NETWORK FILE NAME	035480
							035480
							REV 02
02	UPDATED PER ISAAC 10-0580	LST 5/12/2010	XX	xxx	±.005	TITLE OUTLINE - 180JM FRAME	
-	UPDATED & REDRAWN IN SOLIDWORKS	LST 12/8/2009	XX	xxxx	±.0005	TEFC - "JM" PUMP MOUNT	
						MATL WASHGUARD	

005010-01

VIEW FROM OUTSIDE OF MOTOR AT SWITCH END.



VOLTAGE	L1	L2	L3	JOIN & INSULATE
HIGH	T1	T2	T3	(T4,T7) (T5,T8) (T6,T9)
LOW	T1,T7	T2,T8	T3,T9	T4,T5,T6

				TOLERANCES UNLESS SPECIFIED		Regal Beloit America, Inc.		DRAWN RDW 04/12/02				
				DEC.	INCHES			CHK				
				.X	±.1			APPD				
				.XX	±.01			SCALE 1=1				
				.XXX	±.005	TITLE		REF FIG.2-51				
A	UPDATED TO REGAL LOGO			SAJ	06/26/15	AJY	.XXXX	±.0005	MAT'L. DECAL - 004014	FMF		
NO.	REVISION			BY & DATE	CHK	ANG	±1/2"	FINISH	PREV			
THIS DRAWING IN DESIGN AND DETAIL IS OUR PROPERTY AND MUST NOT BE USED EXCEPT IN CONNECTION WITH OUR WORK ALL RIGHTS OF DESIGN AND INVENTION ARE RESERVED THIS IS AN ELECTRONICALLY GENERATED DOCUMENT - DO NOT SCALE THIS PRINT				RFP	04/12/02		CAD FILE	00501001		SIZE	DRAWING NO.	REV.
				DIST	BRF-NLV			A	005010-01		A	

Data Sheet

Date: 1/24/2018

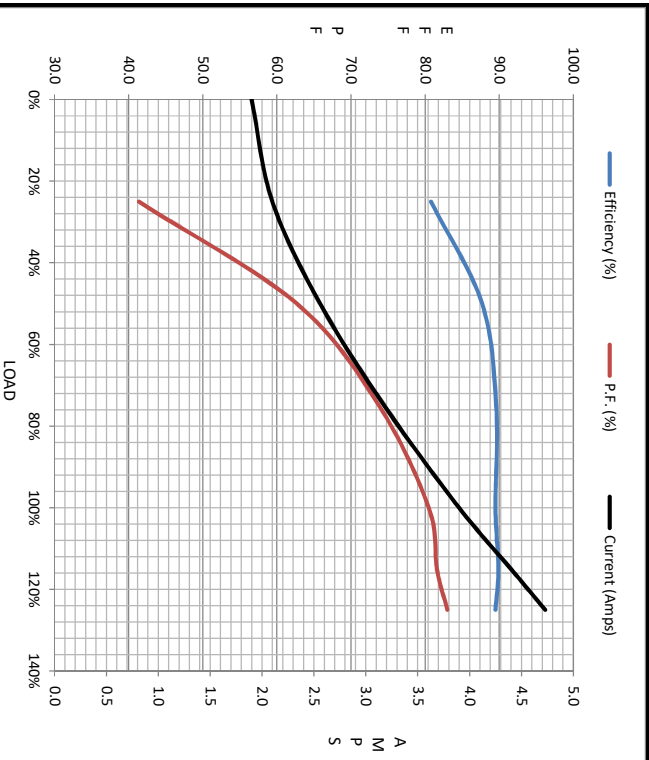
132442.00



Data @ 460 V

Motor Load Data								
Load	0%	25%	50%	75%	100%	115%	125%	LR
Current (Amps)	1.90	2.10	2.56	3.2	3.9	4.4	4.7	33.5
Torque (ft-lb)	0.00	2.20	4.4	6.6	8.9	10.3	11.2	22.5
RPM	1800	1792	1785	1777	1770	1766	1755	0
Efficiency (%)		80.8	87.7	89.6	89.5	89.9	89.5	
P.F. (%)	6.9	41.4	62.7	73.8	80.5	81.6	83.0	0.0

Motor Speed Data					Information Block				
LR	Pull-Up	BD	Rated	Idle	HP	Sync. RPM	Frame	Enclosure	Construction
0	900	1656	1770	1800	3.0	1800	182	TEFC	TFW
Current (Amps)	33.5	33.0	21.5	3.9	1.90				208-230/460#190/380
Torque (ft-lb)	22.5	21.0	36.0	8.9	0.00				60
									Hz
									Design
									B
									LR Code letter
									K
									Service Factor
									1.15
									Temp Rise @ FL
									40
									°C
									CON'T
									Duty
									40
									°C
									Ambient
									1,000
									feet
									Elevation
									1,000
									feet
									Rotor/Shaft wk ²
									0.38
									LB-Ft ²
									Rel Wdg
									T84174 FR
									Sound Pressure @ 1M
									0
									dB(A)
									VFD Rating
									NONE
									Outline Dwg
									035480-900
									Conn. Diag
									005010.01
									Additional Specifications:
									0
									EQUIV CKT (OHMS / PHASE)
									R1
									0.0000
									R2
									0.0000
									X1
									0.0000
									X2
									0.0000
									Xm
									0.0000



LR	Pull-Up	BD	Rated	Idle
0	900	1656	1770	1800
Current (Amps)	33.5	33.0	21.5	3.9
Torque (ft-lb)	22.5	21.0	36.0	8.9
				0.00

