

PRODUCT INFORMATION PACKET



Model No: C184T17FZ42A

Catalog No: 132558.00

.5HP..1800RPM.184Z.TEFC.230/460VAC.3PH.60HZ.CONT.40C.1.15 SF.2-Bolt SAE
A.C184T17FZ31.....NONE.....

Hydraulic



Regal and Leeson are trademarks of Regal Beloit Corporation or one of its affiliated companies.

©2018 Regal Beloit Corporation, All Rights Reserved. MC017097E





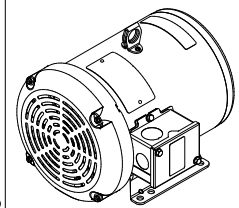
Nameplate Specifications

Output HP	5 Hp	Output KW	3.7 kW
Frequency	60 Hz	Voltage	230/460 V
Current	12.6/6.3 A	Speed	1760 rpm
Service Factor	1.15	Phase	3
Efficiency	89.5 %	Duty	Continuous
Insulation Class	F	Design Code	B
KVA Code	G	Frame	184TZ
Enclosure	Totally Enclosed Fan Cooled	Overload Protector	No
Ambient Temperature	40 °C	Drive End Bearing Size	6206
Opp Drive End Bearing Size	6205	UL	Recognized
CSA	Y	CE	N
IP Code	43		

Technical Specifications

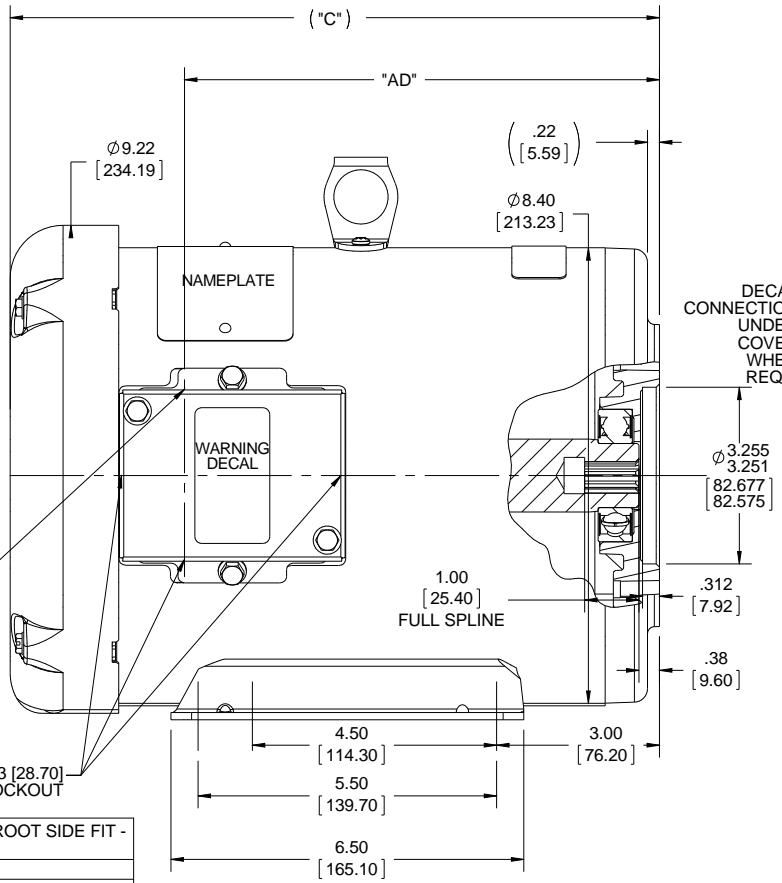
Electrical Type	Squirrel Cage Inverter Rated	Starting Method	Line Or Inverter
Poles	4	Rotation	Reversible
Mounting	Rigid base	Motor Orientation	HORIZONTAL
Drive End Bearing	BALL	Opp Drive End Bearing	BALL
Frame Material	Rolled Steel	Shaft Type	Single Special Extension
Overall Length	12.96 in	Frame Length	10.00 in
Shaft Diameter	1.187 in	Shaft Extension	SAE SPLINE SHAFT in
Assembly/Box Mounting	F1 ONLY		
Outline Drawing	608-0003-1000	Connection Diagram	005010.01

PART NUMBER	ORACLE PART REV.	EDGE PART REV.
608-0003	01	B



B

A



INTERNAL INVOLUTE SPLINE FLAT ROOT SIDE FIT - CLASS 5 FIT	
NO. OF TEETH	9
SPLINE PITCH	16/32
PRESSURE ANGLE	30°
BASE DIAMETER	.4871 [12.3723] REF.
PITCH DIAMETER	.5625 [14.2875] REF.
MAJOR DIAMETER	.651 [16.5354] MAX
FORM DIAMETER	.629 [15.9766]
MINOR DIAMETER	.509/.514 [12.9286/13.0556]
CIRCULAR SPACE WIDTH	
MAXIMUM ACTUAL	.1008 [2.5603]
MINIMUM EFFECTIVE	.0982 [2.4943]
SIZE BETWEEN	BHT .399/.401 [10.135/10.185]
Ø .108 [2.743] PINS	AHT .399/.402 [10.135/10.211]
ANSI B92.1-1996 PROVISIONS APPLY	

DASH NO	"C"	"AD"
900	11.96	8.75
1000	12.96	9.75

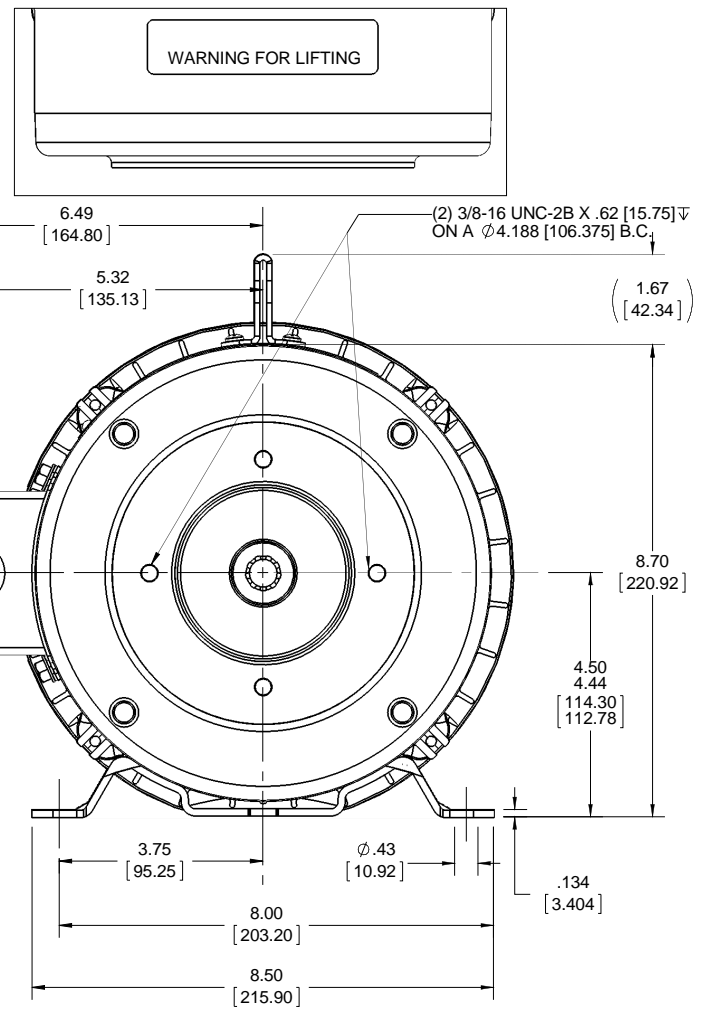
GASKETS THROUGHOUT
MAXIMUM SPLINE PITCH DIAMETER RUNOUT TO BE .004 [.102] T.I.R.

DRAWING REVISION C	REVISION BY SS	DATE 03/21/16
ECO ECO-0098659	APPROVED BY SS	DATE 03/21/16
ECO DESCRIPTION TABLE ADDED		
<small>COPYRIGHT REGAL BELOIT AMERICA, INC. ALL RIGHTS RESERVED. PROPRIETARY AND CONFIDENTIAL INFORMATION - THIS DOCUMENT IS THE PROPERTY OF REGAL BELOIT AMERICA, INC. ('OWNER') AND CONTAINS OWNER'S PROPRIETARY INFORMATION. ANY PERSON, CORPORATION OR OTHER FIRM RECEIVING IT IS DEEMED, BY RECEIVING IT, TO AGREE THAT IT, AND/OR ANY PART OF IT, SHALL NOT BE DISCLOSED TO ANY PERSON, CORPORATION OR OTHER ENTITY, DUPLICATED, AND/OR USED, EXCEPT AS EXPRESSLY APPROVED IN WRITING IN ADVANCE BY OWNER. THIS DOCUMENT SHALL BE RETURNED TO OWNER UPON REQUEST. IT MAY BE SUBJECT TO CERTAIN RESTRICTIONS UNDER APPLICABLE EXPORT CONTROL LAWS AND REGULATIONS.</small>		

TOLERANCES UNLESS OTHERWISE SPECIFIED:			
DEC.	INCH	mm	ANGLE
-X	+0.1	[+2.5]	±0.5°
.XX	+0.03	[+0.76]	
.XXX	+0.005	[+0.127]	
.XXXX	+0.0005	[+0.0127]	
REMOVE BURRS & BREAK SHARP			
EDGES: .003/.015 [0.076/3.81]			
CORNER FILLETS: .02 [.51]			
MACHINED SURFACES: 125 INCH 3.2 mm SHOWN IN [BRACKETS]			

DRAWN BY MITCH VERBICK
DATE 1/16/2014
APPROVED BY
DATE
PROCESS/FINISH
THIRD ANGLE PROJECTION

	Regal Beloit America, Inc.
DESCRIPTION	OUTLINE 180 FR TEFC SAE A 2-BOLT
MATERIAL	
SIZE	DRAWING NUMBER 608-0003
SHEET	1 OF 1



B

A

4

3

2

1

005010-01

VIEW FROM OUTSIDE OF MOTOR AT SWITCH END.



VOLTAGE	L1	L2	L3	JOIN & INSULATE
HIGH	T1	T2	T3	(T4,T7) (T5,T8) (T6,T9)
LOW	T1,T7	T2,T8	T3,T9	T4,T5,T6

				TOLERANCES UNLESS SPECIFIED		REGAL ™ Regal Beloit America, Inc.		DRAWN RDW 04/12/02				
				DEC.	INCHES			CHK				
				.X	±.1			APPD				
				.XX	±.01			SCALE 1=1				
				.XXX	±.005	TITLE		REF FIG.2-51				
A	UPDATED TO REGAL LOGO			SAJ	06/26/15	AJY	.XXXX	±.0005	MAT'L. DECAL - 004014	FMF		
NO.	REVISION			BY & DATE	CHK	ANG	±1/2"	FINISH	PREV			
THIS DRAWING IN DESIGN AND DETAIL IS OUR PROPERTY AND MUST NOT BE USED EXCEPT IN CONNECTION WITH OUR WORK ALL RIGHTS OF DESIGN AND INVENTION ARE RESERVED THIS IS AN ELECTRONICALLY GENERATED DOCUMENT - DO NOT SCALE THIS PRINT				RFP	04/12/02		CAD FILE	00501001		SIZE	DRAWING NO.	REV.
				DIST	BRF-NLV			A	005010-01		A	



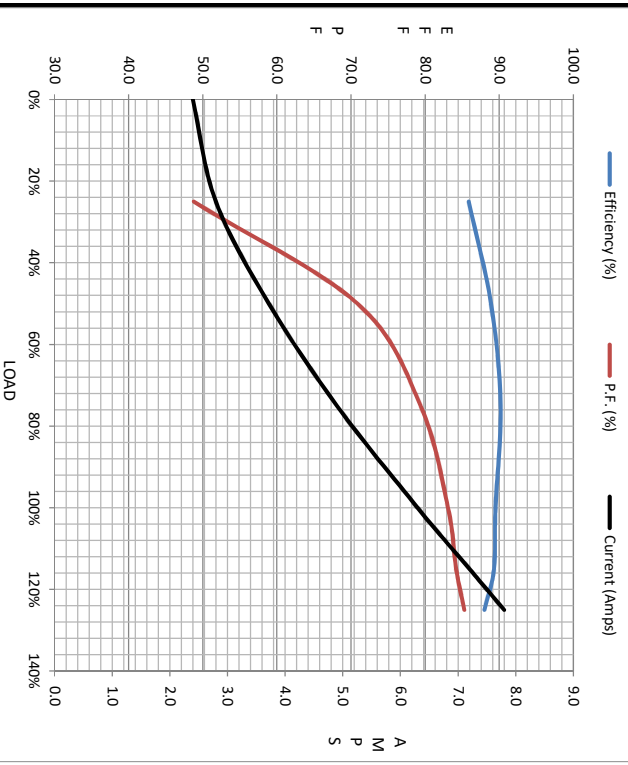
Motor Load Data						LR	
Load	0%	25%	50%	75%	100%	115%	125%
Current (Amps)	2.40	2.80	3.7	4.9	6.3	7.2	7.8
Torque (ft-lb)	0.00	3.7	7.4	11.1	15.0	17.4	18.8
RPM	1800	1790	1779	1768	1760	1747	1742
Efficiency (%)		85.9	88.9	90.2	89.5	89.3	88.0
P.F. (%)	6.8	48.8	70.9	79.4	83.1	84.2	85.3

Motor Speed Data

	LR	Pull-Up	BD	Rated	Idle
Speed (RPM)	0	900	1656	1760	1800
Current (Amps)	49.0	45.1	29.4	6.3	2.40
Torque (ft-lb)	30.1	29.8	50.2	15.0	0.00

Information Block

HP	5.0
Sync. RPM	1800
Frame	184
Enclosure	TEFC
Construction	TFW
Voltage	230/460#190/380 V
Frequency	60 Hz
Design	B
LR Code letter	J
Service Factor	1.15
Temp Rise @ FL	65 °C
Duty	CONT
Ambient	40 °C
Elevation	1,000 feet
Rotor/Shaft wk ²	0.49 LB-Ft ²
Ref Wdg	T84170 FR
Sound Pressure @ 1M	55 dBA
VFD Rating	CONSTANT 10:1
Outline Dwg	608-0003-1000
Conn. Diag	005010.01
Additional Specifications:	
0	
EQUIV CKT (OHMS / PHASE)	
R1	R2
0.0000	0.0000
X1	X2
0.0000	0.0000
Xm	Xm
0.0000	0.0000



Speed - Torque Curve

