

PRODUCT INFORMATION PACKET



Model No: C184T17FZ43A

Catalog No: 132559.00

.5HP..1800RPM.184TYZ.TEFC.208-230/460VAC.3PH.60HZ.CONT.40C.1.15 SF.2-Bolt SAE B.....

Hydraulic



Regal and Leeson are trademarks of Regal Beloit Corporation or one of its affiliated companies.

©2018 Regal Beloit Corporation, All Rights Reserved. MC017097E





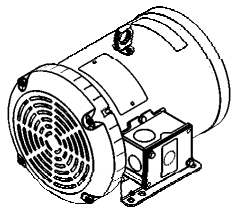
Nameplate Specifications

Output HP	5 Hp	Output KW	3.7 kW
Frequency	60 Hz	Voltage	230/460 V
Current	12.6/6.3 A	Speed	1760 rpm
Service Factor	1.15	Phase	3
Efficiency	89.5 %	Duty	Continuous
Insulation Class	F	Design Code	B
KVA Code	G	Frame	184TZ
Enclosure	Totally Enclosed Fan Cooled	Overload Protector	No
Ambient Temperature	40 °C	Drive End Bearing Size	6207
Opp Drive End Bearing Size	6205	UL	Recognized
CSA	Y	CE	N
IP Code	43		

Technical Specifications

Electrical Type	Squirrel Cage Inverter Rated	Starting Method	Line Or Inverter
Poles	4	Rotation	Reversible
Mounting	Rigid base	Motor Orientation	HORIZONTAL
Drive End Bearing	BALL	Opp Drive End Bearing	BALL
Frame Material	Rolled Steel	Shaft Type	Single Special Extension
Overall Length	13.17 in	Frame Length	10.00 in
Shaft Diameter	1.187 in	Shaft Extension	SAE SPLINE SHAFT in
Assembly/Box Mounting	F1 ONLY		
Outline Drawing	608-0007-1000	Connection Diagram	005010.01

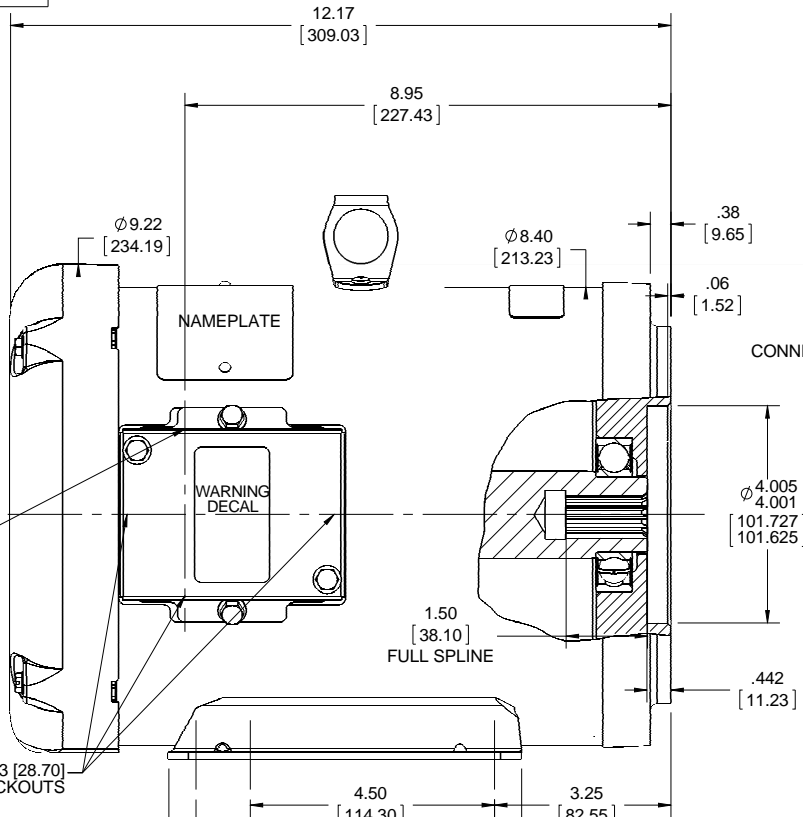
PART NUMBER	ORACLE PART REV.	EDGE PART REV.
608-0007	01	B



B

A

INTERNAL INVOLUTE SPLINE FLAT ROOT SIDE FIT - CLASS 5 FIT	
NO. OF TEETH	13
SPLINE PITCH	16/32
PRESSURE ANGLE	30°
BASE DIAMETER	.7036 [17.8714] REF.
PITCH DIAMETER	.8125 [20.6375]
MAJOR DIAMETER	.897 [22.784] MAX
FORM DIAMETER	.879 [22.327]
MINOR DIAMETER	.755/.750 [19.177/19.050]
CIRCULAR SPACE WIDTH	
MAXIMUM ACTUAL	.1008 [2.5603]
MINIMUM EFFECTIVE	.0982 [2.4943]
SIZE BETWEEN	BHT .654/.656 [16.612/16.662]
Ø.108[2.743] PINS	AHT .652/.654 [16.561/16.612]
ANSI B92.1-1996 PROVISIONS APPLY	

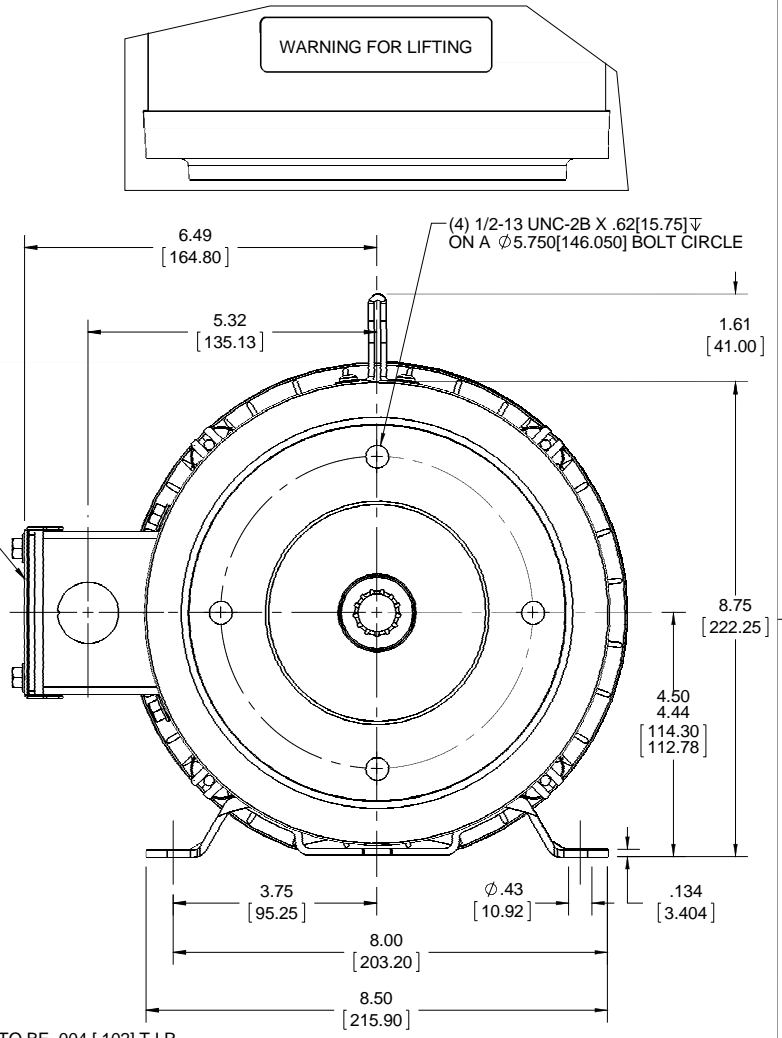


DASH NO	"C"	"AD"
900	12.17	8.95
1000	13.17	9.95

DRAWING REVISION	REVISION BY	DATE	TOLERANCES UNLESS OTHERWISE SPECIFIED:
C	SS	03/22/16	DEC. INCH mm ANGLE ±0.5°
ECO-0098710	APPROVED BY	DATE	X +0.1 [+2.5]
ECO DESCRIPTION	SS	03/22/16	XX ±0.03 [+0.76]
TABLE ADDED			XXX ±0.005 [+0.127]
			.XXXX ±0.0005 [+0.0127]
			REMOVE BURRS & BREAK SHARP EDGES: .003/.015 [.076/.381]
			CORNER FILLETS: .02 [.51]
			MACHINED SURFACES: 125/3.2 INCH/mm
			mm SHOWN IN [BRACKETS]

GASKETS THROUGHOUT	DRAWN BY
MAXIMUM SPLINE PITCH DIAMETER RUNOUT TO BE .004 [102] T.I.R.	MITCH VERBICK
	DATE
	2/4/2014
	APPROVED BY
	DATE
	PROCESS/FINISH
	THIRD ANGLE PROJECTION

	Regal Beloit America, Inc.
DESCRIPTION	
OUTLINE	
180 FR TEFC SAE B 2-BOLT	
MATERIAL	
SIZE	DRAWING NUMBER
B	608-0007
	SHEET
	1 OF 1



B

A

4

3

2

1

005010-01

VIEW FROM OUTSIDE OF MOTOR AT SWITCH END.



VOLTAGE	L1	L2	L3	JOIN & INSULATE
HIGH	T1	T2	T3	(T4,T7) (T5,T8) (T6,T9)
LOW	T1,T7	T2,T8	T3,T9	T4,T5,T6

				TOLERANCES UNLESS SPECIFIED		Regal Beloit America, Inc.		DRAWN RDW 04/12/02		
				DEC.	INCHES			CHK		
				.X	±.1			APPD		
				.XX	±.01			SCALE 1=1		
				.XXX	±.005	TITLE		REF FIG.2-51		
A	UPDATED TO REGAL LOGO	SAJ 06/26/15	AJY	.XXXX	±.0005	MAT'L.		FMF		
NO.	REVISION	BY & DATE	CHK	ANG	±1/2"	FINISH		PREV		
THIS DRAWING IN DESIGN AND DETAIL IS OUR PROPERTY AND MUST NOT BE USED EXCEPT IN CONNECTION WITH OUR WORK ALL RIGHTS OF DESIGN AND INVENTION ARE RESERVED THIS IS AN ELECTRONICALLY GENERATED DOCUMENT - DO NOT SCALE THIS PRINT				RFP	04/12/02	CAD FILE		SIZE	DRAWING NO.	REV.
				DIST	BRF-NLV	00501001		A	005010-01	A

