

PRODUCT INFORMATION PACKET



Model No: C184T34WK18A

Catalog No: 132443.00

..5HP..3600RPM.184JM.TEFC.230/460V.3PH.60HZ.CONT.40C.1.15SF.JM PUMP.....WASHDOWN
MOTORS.....

Jm Pump



Regal and Leeson are trademarks of Regal Beloit Corporation or one of its affiliated companies.

©2018 Regal Beloit Corporation, All Rights Reserved. MC017097E



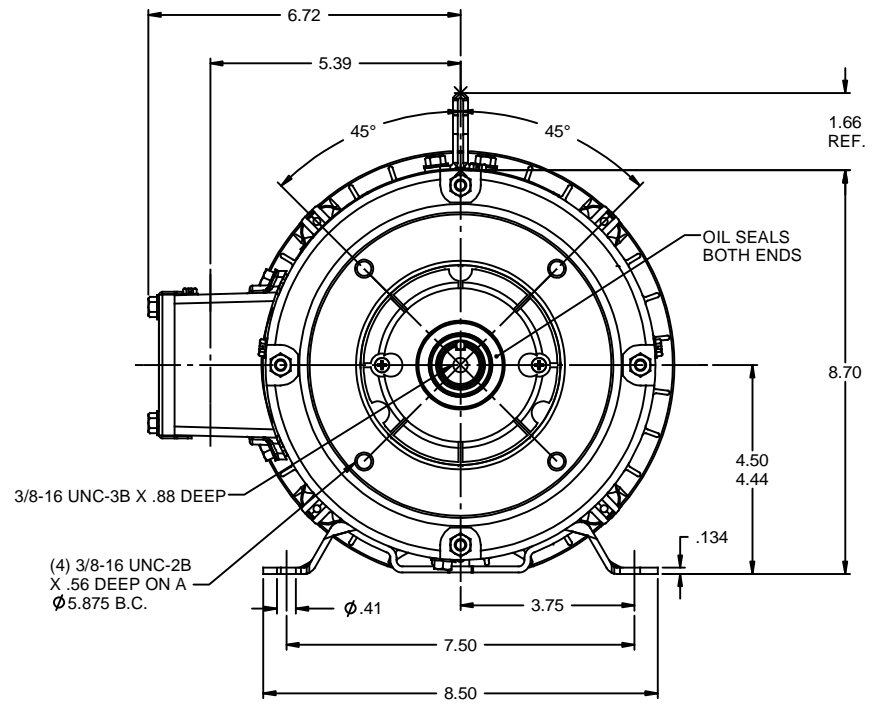
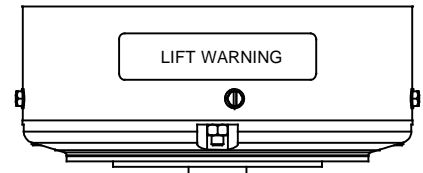
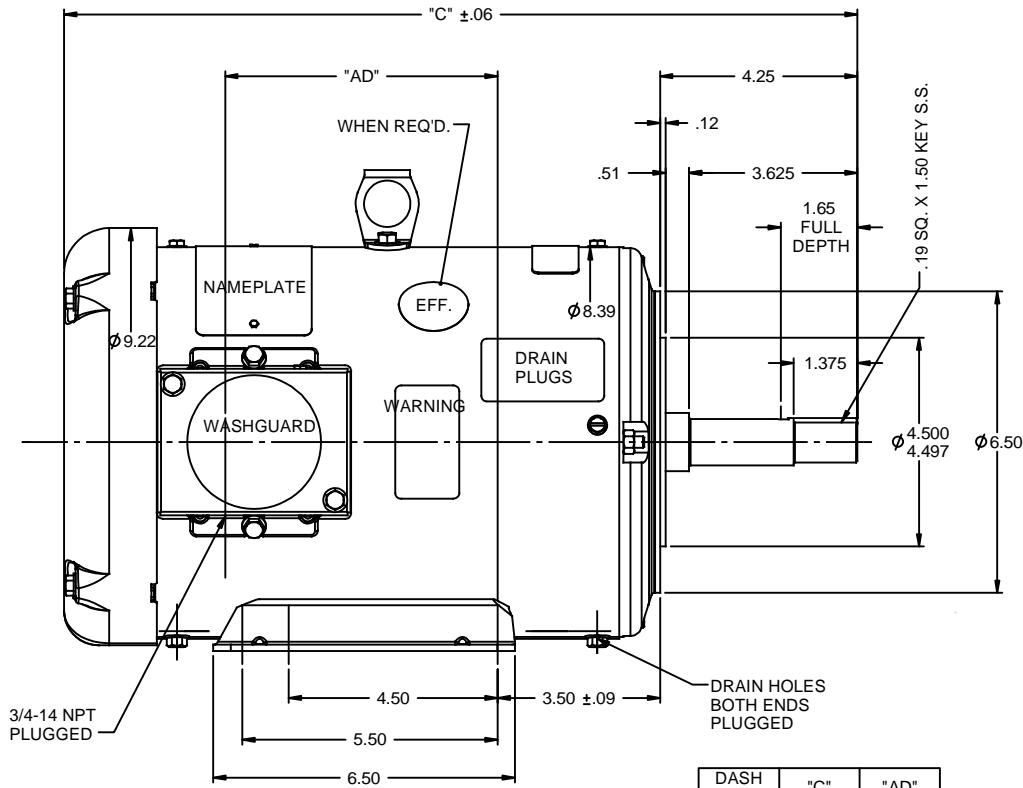


Nameplate Specifications

Output HP	5 Hp	Output KW	3.7 kW
Frequency	60 Hz	Voltage	208-230/460 V
Current	13.2-12.0/6.0 A	Speed	3495 rpm
Service Factor	1.15	Phase	3
Efficiency	88.5 %	Duty	Continuous
Insulation Class	F	Design Code	B
KVA Code	J	Frame	184JM
Enclosure	Totally Enclosed Fan Cooled	Overload Protector	No
Ambient Temperature	40 °C	Drive End Bearing Size	6207
Opp Drive End Bearing Size	6205	UL	Recognized
CSA	Y	CE	Y
IP Code	55		

Technical Specifications

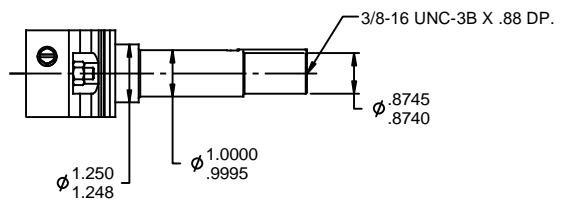
Electrical Type	Squirrel Cage Induction Run	Starting Method	Across The Line
Poles	2	Rotation	Reversible
Mounting	Rigid base	Motor Orientation	HORIZONTAL
Drive End Bearing	BALL	Opp Drive End Bearing	BALL
Frame Material	Rolled Steel	Shaft Type	JM
Overall Length	16.63 in	Frame Length	9.50 in
Shaft Diameter	0.875 in	Shaft Extension	4.21 in
Assembly/Box Mounting	F1/F2 CAPABLE		
Outline Drawing	035480-950	Connection Diagram	005010.01



DASH NO.	"C"	"AD"
900	16.13	4.87
950	16.63	5.37
1000	17.13	5.87
1050	17.63	6.37
1100	18.13	6.87
1150	18.63	7.37

SPECIAL FEATURES:
 SHAFT SEAL & V-RING
 DRAIN HOLES IN FRAME & CONDUIT BOX
 STAINLESS STEEL SHAFT, HARDWARE & NAMEPLATE
 GASKETS THROUGHOUT

MAXIMUM FACE RUNOUT TO BE .004 T.I.R.
 MAXIMUM PILOT ECCENTRICITY TO BE .004 T.I.R.
 PERMISSIBLE SHAFT RUNOUT TO BE .002 T.I.R.



SHAFT DETAIL

REVISION		BY & DATE	CHK	ANG	±1/2"	FINISH	REV	PREV	SIZE	DRAWING NO	REV
02	UPDATED PER ISAAC 10-0580	LST 5/12/2010	XX	XXX	±.005	TITLE	OUTLINE - 180JM FRAME				
-	UPDATED & REDRAWN IN SOLIDWORKS	LST 12/8/2009	XX	XXXX	±.0005	MATL	WASHGUARD				
TOLERANCES UNLESS SPECIFIED:							REGAL-BELOIT CORPORATION		DRAWN LST 7/23/03		
							DEC INCHES		CHK		
							X ±.1		APPR RW 7/29/03		
							.XX ±.03		SCALE 3:8		
							TITLE		REF 035357		
							TEFC - "JM" PUMP MOUNT		FMF		
							MATL		PAGE OF		
							FINISH				
							RFP		DRAWING NO		
							NETWORK FILE NAME 035480		REV		
							PREV		035480		
							SIZE		02		
							B				

005010-01

VIEW FROM OUTSIDE OF MOTOR AT SWITCH END.



VOLTAGE	L1	L2	L3	JOIN & INSULATE
HIGH	T1	T2	T3	(T4,T7) (T5,T8) (T6,T9)
LOW	T1,T7	T2,T8	T3,T9	T4,T5,T6

				TOLERANCES UNLESS SPECIFIED		Regal Beloit America, Inc.		DRAWN RDW 04/12/02				
				DEC.	INCHES			CHK				
				.X	±.1			APPD				
				.XX	±.01			SCALE 1=1				
				.XXX	±.005	TITLE		REF FIG.2-51				
A	UPDATED TO REGAL LOGO			SAJ	06/26/15	AJY	.XXXX	±.0005	MAT'L.	DECAL - 004014	FMF	
NO.	REVISION			BY & DATE	CHK	ANG	±1/2"	FINISH			PREV	
THIS DRAWING IN DESIGN AND DETAIL IS OUR PROPERTY AND MUST NOT BE USED EXCEPT IN CONNECTION WITH OUR WORK ALL RIGHTS OF DESIGN AND INVENTION ARE RESERVED THIS IS AN ELECTRONICALLY GENERATED DOCUMENT - DO NOT SCALE THIS PRINT				RFP	04/12/02		CAD FILE	00501001		SIZE	DRAWING NO.	REV.
				DIST	BRF-NLV				A	005010-01		A



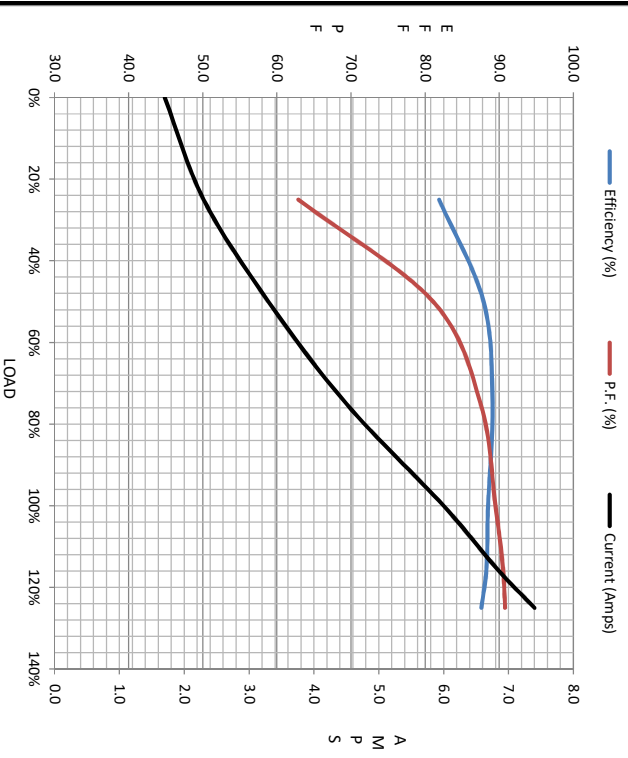
Motor Load Data						LR		
Load	0%	25%	50%	75%	100%	115%	125%	
Current (Amps)	1.70	2.30	3.3	4.5	6.0	6.8	7.4	47.0
Torque (ft-lb)	0.00	1.80	3.7	5.6	7.5	8.7	9.5	16.0
RPM	3600	3576	3551	3526	3495	3477	3463	0
Efficiency (%)		81.9	87.9	89.1	88.5	88.3	87.6	
P.F. (%)	14.8	62.9	81.1	87.5	89.5	90.5	90.8	0.0

Motor Speed Data

	LR	Pull-Up	BD	Rated	Idle
Speed (RPM)	0	1800	2850	3495	3600
Current (Amps)	47.0	42.0	30.0	6.0	1.70
Torque (ft-lb)	16.0	14.0	26.0	7.5	0.00

Information Block

HP	5.0			
Sync. RPM	3600			
Frame	180			
Enclosure	TEFC			
Construction	TFW			
Voltage	208-230/460#190/380 V			
Frequency	60 Hz			
Design	B			
LR Code letter	J			
Service Factor	1.15			
Temp Rise @ FL	55 °C			
Duty	CONT			
Ambient	40 °C			
Elevation	1,000 feet			
Rotor/Shaft wk ²	0.00 Lb-Ft ²			
Ref Wdg	T82103 FR			
Sound Pressure @ 1M	0 dbA			
VFD Rating	NONE			
Outline Dwg	035480-950			
Conn. Diag	005010.01			
Additional Specifications:				
0				
EQUIV CKT (OHMS / PHASE)				
R1	R2	X1	X2	Xm
0.0000	0.0000	0.0000	0.0000	0.0000



Speed - Torque Curve

