

# PRODUCT INFORMATION PACKET



Model No: C184T48FB63C

Catalog No: 131470.00

..3/1.5HP..1725/850RPM.184.TEFC./460V.3PH.60HZ.CONT.40C.1.0SF.RIGID.C184T48FB63C.....HVAC.NO  
T.....

Fan and Blower



Regal and Leeson are trademarks of Regal Beloit Corporation or one of its affiliated companies.

©2018 Regal Beloit Corporation, All Rights Reserved. MC017097E





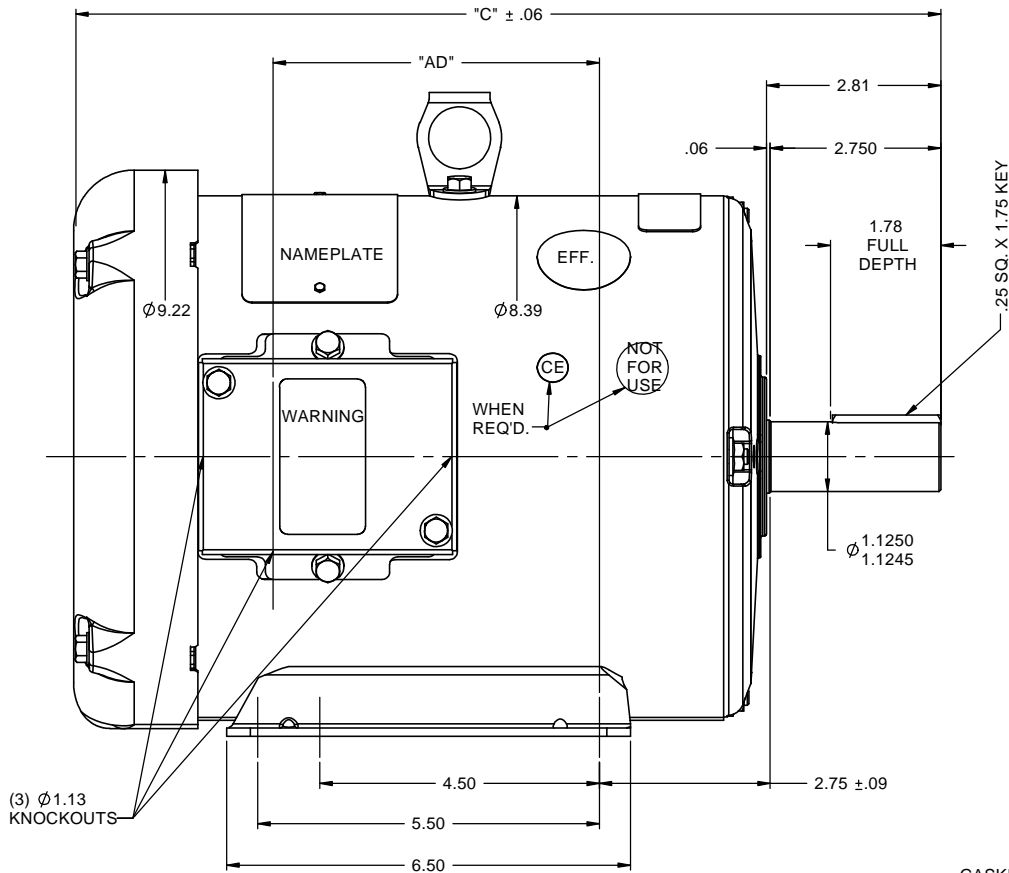
### Nameplate Specifications

Output HP	<b>3,1.50 Hp</b>	Output KW	<b>2.2 kW</b>
Frequency	<b>60 Hz</b>	Voltage	<b>460 V</b>
Current	<b>3.8,3.5 A</b>	Speed	<b>1725,850 rpm</b>
Service Factor	<b>1</b>	Phase	<b>3</b>
Efficiency	<b>80 %</b>	Duty	<b>Continuous</b>
Insulation Class	<b>F</b>	Design Code	<b>2VT</b>
KVA Code	<b>G</b>	Frame	<b>184T</b>
Enclosure	<b>Totally Enclosed Fan Cooled</b>	Overload Protector	<b>No</b>
Ambient Temperature	<b>40 °C</b>	Drive End Bearing Size	<b>6206</b>
Opp Drive End Bearing Size	<b>6205</b>	UL	<b>Recognized</b>
CSA	<b>Y</b>	CE	<b>N</b>
IP Code	<b>43</b>		

### Technical Specifications

Electrical Type	<b>Squirrel Cage Induction Run</b>	Starting Method	<b>Across The Line</b>
Poles	<b>4//8</b>	Rotation	<b>Reversible</b>
Mounting	<b>Rigid base</b>	Motor Orientation	<b>HORIZONTAL</b>
Drive End Bearing	<b>BALL</b>	Opp Drive End Bearing	<b>BALL</b>
Frame Material	<b>Rolled Steel</b>	Shaft Type	<b>T</b>
Overall Length	<b>14.96 in</b>	Frame Length	<b>9.50 in</b>
Shaft Diameter	<b>1.125 in</b>	Shaft Extension	<b>2.75 in</b>
Assembly/Box Mounting	<b>F1/F2 CAPABLE</b>		
Outline Drawing	<b>035465-950</b>	Connection Diagram	<b>005148.01</b>

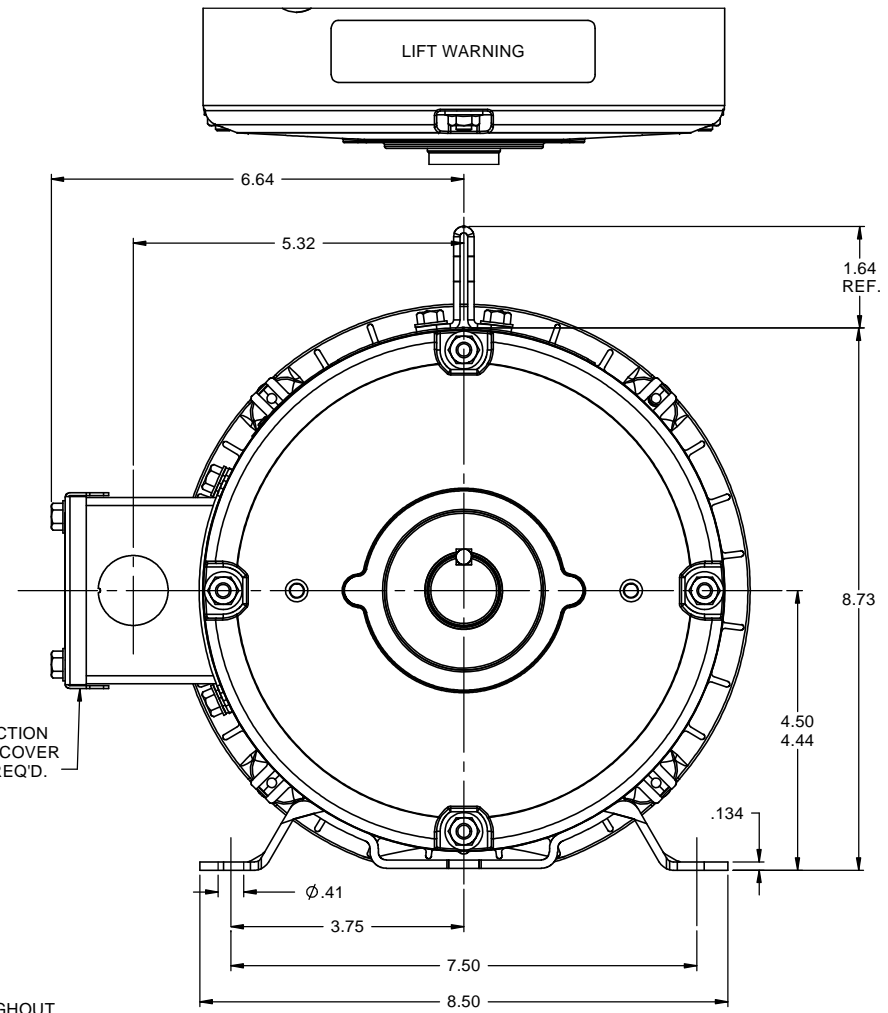
RBC PROPRIETARY AND CONFIDENTIAL INFORMATION  
 This document is the property of REGAL BELOIT CORPORATION ("RBC") including its subsidiaries and divisions and contains proprietary information of RBC. This document is loaned on the express condition that neither it nor the information contained therein shall be disclosed to others without the express written consent of RBC, and that the information shall be used by the recipient only as approved expressly by RBC. This document shall be returned to RBC upon its request. This document may be subject to certain restrictions under U.S. export control laws and regulations.



.25 SQ. X 1.75 KEY

DECAL-  
CONNECTION  
UNDER COVER  
WHEN REQ'D.

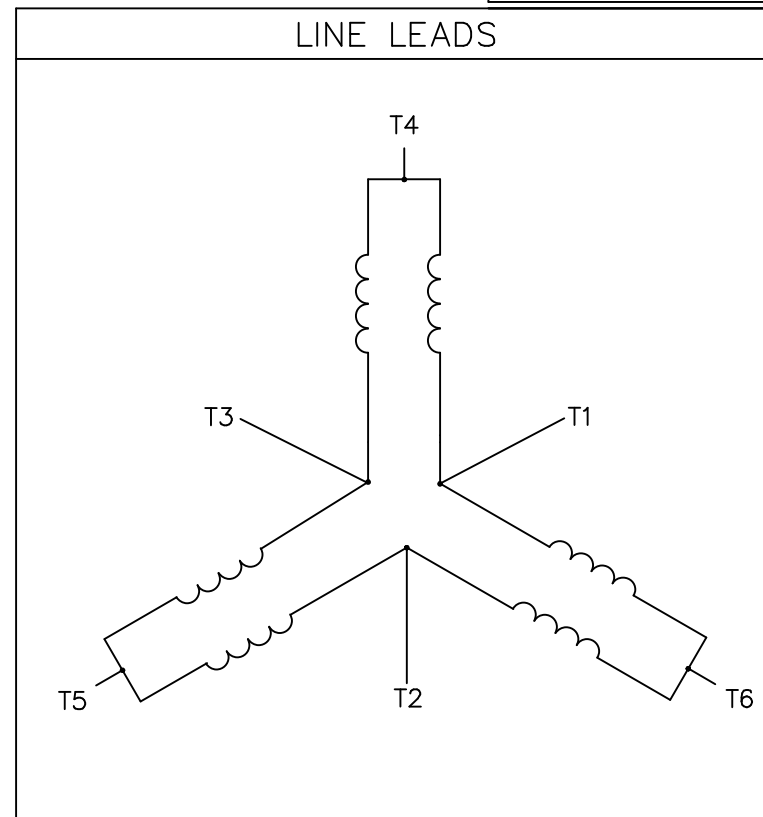
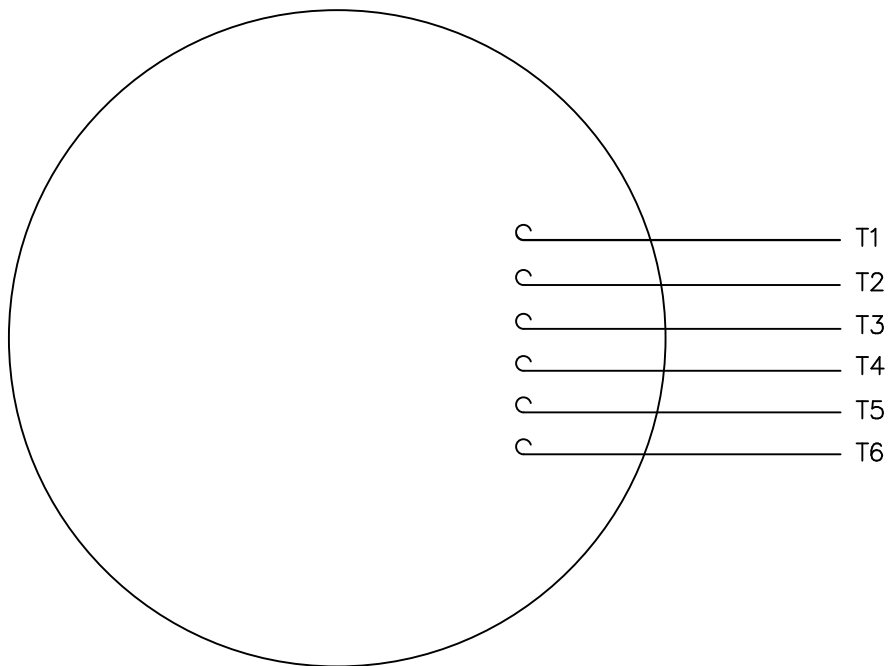
GASKET THROUGHOUT



DASH NO.	"C"	"AD"
750	12.96	4.25
800	13.46	4.75
850	13.96	5.25
900	14.46	5.75
950	14.96	6.25
1000	15.46	6.75
1050	15.96	7.25
1100	16.46	7.75
1150	16.96	8.25

				TOLERANCES UNLESS SPECIFIED				DRAWN MGM 2/21/03	
				DEC INCHES				CHK	
				X ±.1		XX ±.03		TITLE OUTLINE - 180T FRAME	
02 REV TO MATCH ORACLE				LST 8/13/2010		XX XXX ±.005		TEFC - RIGID	
- UPDATE & REDRAWN IN SOLIDWORKS				LST 12/10/2009		XX XXXX ±.0005		MATL GENERAL PURPOSE	
NO REVISION				BY & DATE		CHK ANG ±1/2°		FINISH	
THIRD ANGLE PROJECTION				RFP		PREV		SIZE DRAWING NO	
				NETWORK FILE NAME 035465		B		PAGE OF	
								035465	
								REV 02	

VIEW FROM OUTSIDE OF MOTOR AT SWITCH END.



SPEED	L1	L2	L3	JOIN	SEPARATE
HIGH	T6	T4	T5	(T1,T2,T3)	
LOW	T1	T2	T3		(T4),(T5), (T6)

		TOLERANCES UNLESS SPECIFIED	
		DEC.	INCHES
		.X	±.1
		.XX	±.01
03	SPEED WAS VOLTAGE	RLW 6/23/04	.XXX ±.005
02	REDRAWN TO CAD	DBT 5/30/97	.XXXX ±.0005
NO.	REVISION	BY & DATE	CHK ANG ±1/2°
			RFP 10/31/77
			DIST



ELECTRIC MOTORS  
GEARMOTORS  
AND DRIVES

DRAWN	DLL 10/19/77
CHK	RPB 10/28/77
APPD	JCW 10/31/77
SCALE	1=1
REF	W-T8(4-8)1
FMF	184T17FB9
PREV	

TITLE	EXT. WIRING DIAGRAMS 3 PHASE W/O PROTECTOR
MAT'L.DECAL:	004183 2SPEED/1WINDING/CONSTANT TORQUE
FINISH	
CAD FILE	00514801
SIZE	A
DRAWING NO.	005148-01
REV.	03

Data Sheet

Date: 1/19/2018

131470.00



Data @ 460 V

Motor Load Data									
Load	0%	25%	50%	75%	100%	115%	125%	LR	
Current (Amps)	1.35	1.69	2.33	3.1	4.0	4.5	4.9	23.5	
Torque (ft-lb)	0.00	2.25	4.5	6.8	9.0	4.5	0.00	21.0	
RPM	1800	1779	1760	1738	1714	1,703	1686	0	
Efficiency (%)		72.7	80.4	82.2	80.7	40.4	0.0		
P.F. (%)	21.0	58.1	75.6	82.1	85.3	86.2	87.1	0.0	

Motor Speed Data						Information Block																						
	LR	Pull-Up	BD	Rated	Idle	HP	Sync. RPM	Frame	Enclosure	Construction	Voltage	Frequency	Design	LR Code letter	Service Factor	Temp Rise @ FL	Duty	Ambient	Elevation	Rotor/Shaft wk <sup>2</sup>	Ref Wdg	Sound Pressure @ 1M	VFD Rating	Outline Dwg	Conn. Diag	Additional Specifications:		
Speed (RPM)	0	900	1656	1714	1800	3.0	1800	180	TEFC	NA	460	60	B	G	1.15	0	CONT	40	1,000	0.00	T8(4-8)9 FR	0	NONE	035465-950	005148.01			
Current (Amps)	23.5	21.6	14.1	4.0	1.35																							
Torque (ft-lb)	21.0	16.3	22.0	9.0	0.00																							

