

PRODUCT INFORMATION PACKET



Model No: C213T17FB34A

Catalog No: 141289.00

..7.5HP..1800RPM.213T.TEFC.200/400-416V.3PH.60HZ.CONT.40C.1.15 S.F..RIGID.....SPECIAL
VOLTAGE.....
200/400 Volts



Regal and Leeson are trademarks of Regal Beloit Corporation or one of its affiliated companies.

©2018 Regal Beloit Corporation, All Rights Reserved. MC017097E





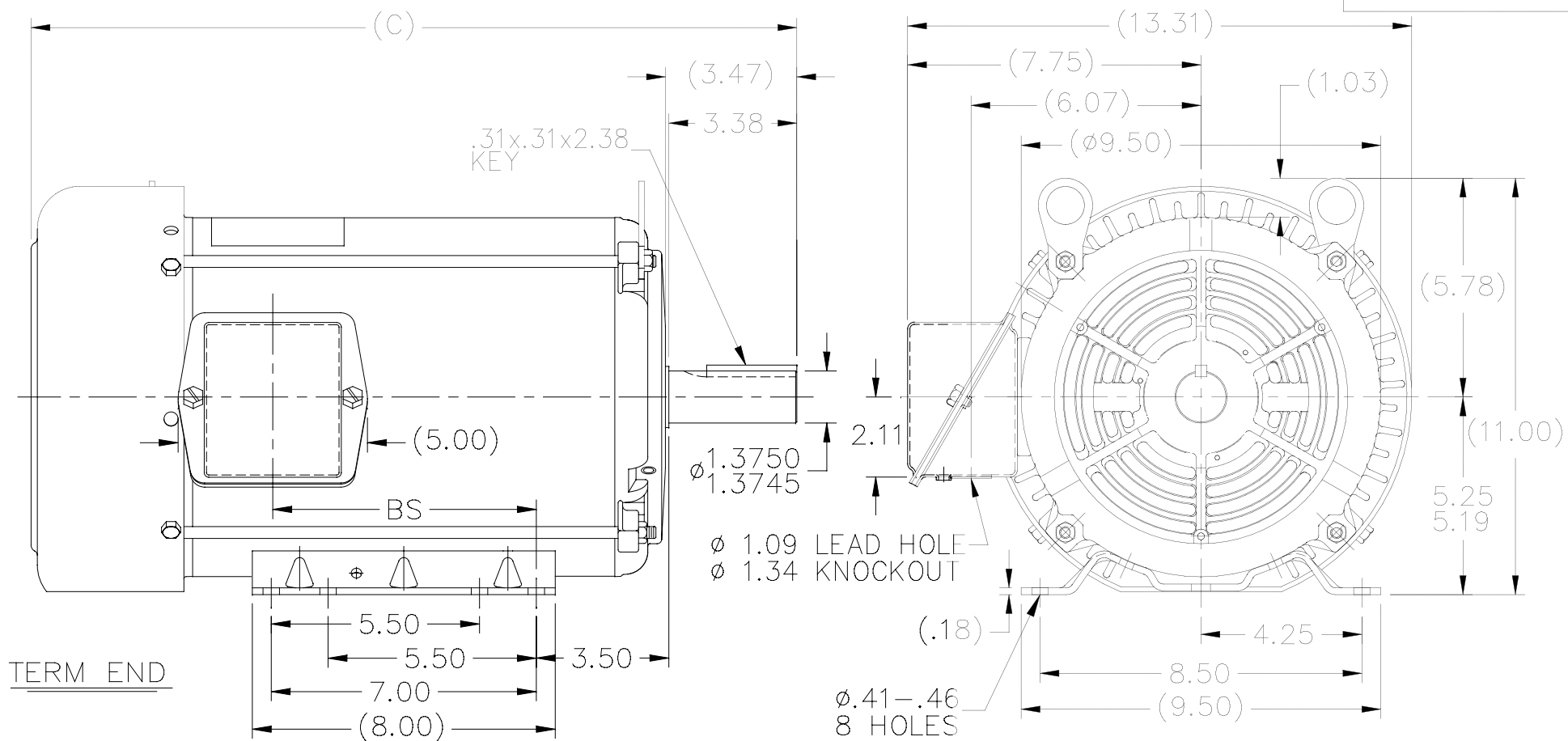
Nameplate Specifications

Output HP	7.50 Hp	Output KW	5.6 kW
Frequency	60 Hz	Voltage	200/400 V
Current	22.6/11.3 A	Speed	1765 rpm
Service Factor	1.15	Phase	3
Efficiency	91.7 %	Duty	Continuous
Insulation Class	F	Design Code	B
KVA Code	H	Frame	213TC
Enclosure	Totally Enclosed Fan Cooled	Overload Protector	No
Ambient Temperature	40 °C	Drive End Bearing Size	6207
Opp Drive End Bearing Size	6206	UL	Recognized
CSA	Y	CE	Y
IP Code	43		

Technical Specifications

Electrical Type	Squirrel Cage Induction Run	Starting Method	Across The Line
Poles	4	Rotation	Reversible
Mounting	Rigid base	Motor Orientation	HORIZONTAL
Drive End Bearing	BALL	Opp Drive End Bearing	BALL
Frame Material	Rolled Steel	Shaft Type	T
Overall Length	18.73 in	Frame Length	9.65 in
Shaft Diameter	1.375 in	Shaft Extension	3.38 in
Assembly/Box Mounting	F1/F2 CAPABLE		
Outline Drawing	SS86560-965	Connection Diagram	005010.01

SS86560



- NOTES:
1. NAMEPLATE TO BE READ FROM C'BOX SIDE OF MOTOR.
 2. BOX CAN BE MOUNTED IN 90° STEPS.
 3. BOX CAN BE MOUNTED ON OPPOSITE SIDE BY REMOVING BRACKETS AND TURNING FRAME 180°. (EXCEPT AS NOTED.)

DASH	FR.	C	BS	MOUNTING
965	213/15T	18.73	5.43	
1115	213/15T	20.23	6.93	
1240	213/15T	21.48	8.18	F1 ONLY

NO.	REVISION	BY & DATE	CHK	ANG	TOLERANCES UNLESS SPECIFIED	FINISH	CAD FILE	SIZE	DRAWING NO.	PAGE	OF	REV.	
													RFP
7	TITLE BLOCK LOGO CHANGE PER ECO-0078542	MDV 06/09/2015											
6	RE-ISSUED: REDRAWN AND REVISED DASH 965	ERH 12-04-2003			DEC.	INCHES							
5	UPDATED C'BOX GEOMETRY CN 28425	DRS 01-31-2000			.X	±.1							
4	REMOVED GRD. SCREW FROM FRAME CN 24453	MJD 10-01-1997			.XX	±.03							
3	REV.(13.21) WAS (12.39)&(3.47) WAS 3.47 CN23925-481	MH 09-10-1997			.XXX	±.005							
2	UPDATED PER REDESIGN CN 21725-775	DA 08-13-1996			.XXXX	±.0005							
<p>REGAL™ Regal Beloit America, Inc.</p> <p>TITLE OUTLINE 210T FR. - BB - TS - TEFC - R/S</p>							<p>DRAWN DA 08-26-1994</p> <p>CHK ML 08-29-1994</p> <p>APPD DRN 08-29-1994</p> <p>SCALE 1=4</p> <p>REF</p> <p>FMF</p> <p>PREV</p>						
<p>THIS DRAWING IN DESIGN AND DETAIL IS OUR PROPERTY AND MUST NOT BE USED EXCEPT IN CONNECTION WITH OUR WORK ALL RIGHTS OF DESIGN AND INVENTION ARE RESERVED THIS IS AN ELECTRONICALLY GENERATED DOCUMENT - DO NOT SCALE THIS PRINT</p>							<p>CAD FILE ss86560</p>		<p>SIZE A</p>		<p>DRAWING NO. SS86560</p>		<p>PAGE 7</p>

005010-01

VIEW FROM OUTSIDE OF MOTOR AT SWITCH END.



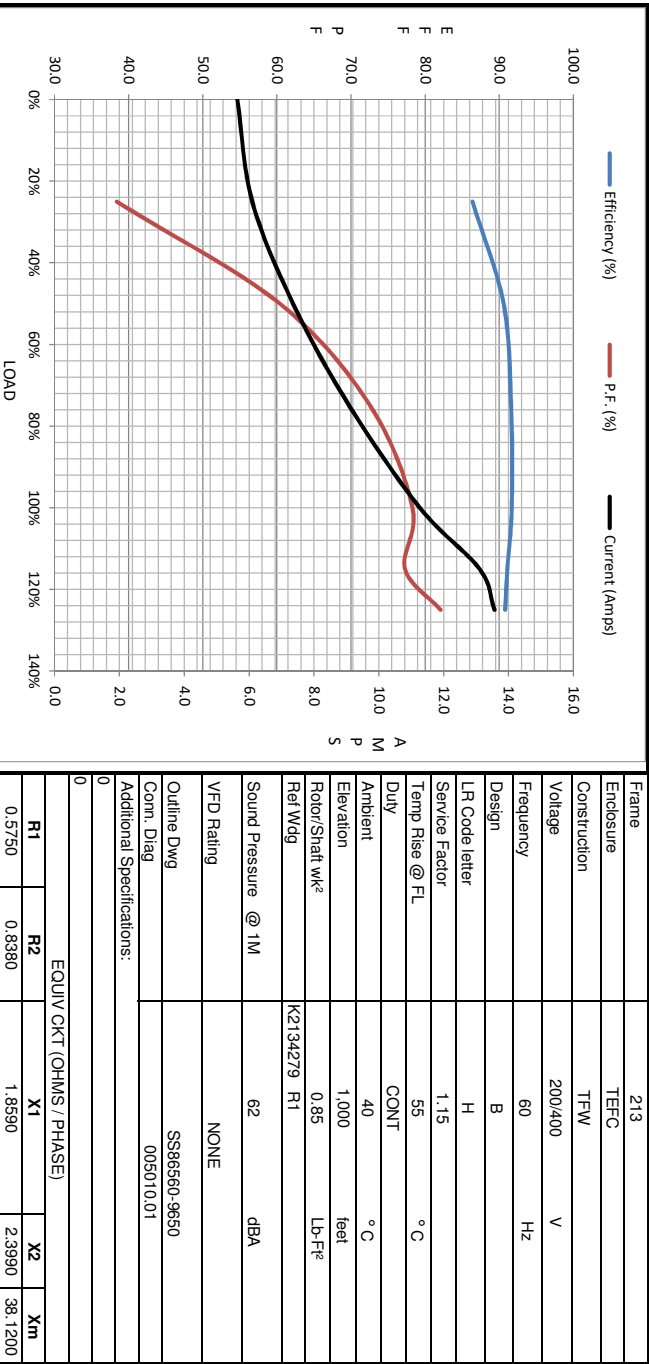
VOLTAGE	L1	L2	L3	JOIN & INSULATE
HIGH	T1	T2	T3	(T4,T7) (T5,T8) (T6,T9)
LOW	T1,T7	T2,T8	T3,T9	T4,T5,T6

				TOLERANCES UNLESS SPECIFIED		REGAL ™ Regal Beloit America, Inc.		DRAWN RDW 04/12/02		
				DEC.	INCHES			CHK		
				.X	±.1			APPD		
				.XX	±.01			SCALE 1=1		
				.XXX	±.005	TITLE		REF FIG.2-51		
A	UPDATED TO REGAL LOGO	SAJ 06/26/15	AJY	.XXXX	±.0005	MAT'L.		FMF		
NO.	REVISION	BY & DATE	CHK	ANG	±1/2"	FINISH		PREV		
THIS DRAWING IN DESIGN AND DETAIL IS OUR PROPERTY AND MUST NOT BE USED EXCEPT IN CONNECTION WITH OUR WORK ALL RIGHTS OF DESIGN AND INVENTION ARE RESERVED THIS IS AN ELECTRONICALLY GENERATED DOCUMENT - DO NOT SCALE THIS PRINT				RFP	04/12/02	CAD FILE		SIZE	DRAWING NO.	REV.
				DIST	BRF-NLV	00501001		A	005010-01	A



Motor Load Data						
Load	0%	25%	50%	75%	100%	LR
Current (Amps)	5.6	6.1	7.4	9.1	11.3	77.6
Torque (ft-lb)	0.00	5.5	11.0	16.6	22.3	52.9
RPM	1800	1792	1785	1775	1765	0
Efficiency (%)		86.4	90.6	91.6	91.7	
P.F. (%)	4.9	38.4	60.4	72.6	78.3	42.6

Motor Speed Data						Information Block																				
Speed (RPM)	LR	Pull-Up	BD	Rated	Idle	HP	Sync. RPM	Frame	Enclosure	Construction	Voltage	Frequency	Design	LR Code letter	Service Factor	Temp Rise @ FL	Duty	Ambient	Elevation	Rotor/Shaft wk ²	Ref Wdg	Sound Pressure @ 1M	VFD Rating	Outline Dwg	Conn. Diag	Additional Specifications:
0		900	1600	1765	1800	7.5	1800	213	TEFC	TFW	200/400	60	B	H	1.15	55	CONT	40	1,000	0.85	K2134279 R1	62	NONE	SS86560-9650	005010.01	
Current (Amps)	77.6	65.6	47.2	11.3	5.6																					
Torque (ft-lb)	52.9	49.0	75.0	22.3	0.00																					



EQUIV CKT (OHMS / PHASE)			
R1	R2	X1	Xm
0.5/50	0.8380	1.8590	2.3990
			38.1200

