

PRODUCT INFORMATION PACKET



Model No: C213T17WK17A

Catalog No: 141270.00

..7.5HP..1800RPM.213JM.TEFC.230/460V.3PH.60HZ.CONT.40C.1.15SF.JM PUMP.....WASHDOWN
MOTORS.....

Jm Pump



Regal and Leeson are trademarks of Regal Beloit Corporation or one of its affiliated companies.

©2018 Regal Beloit Corporation, All Rights Reserved. MC017097E



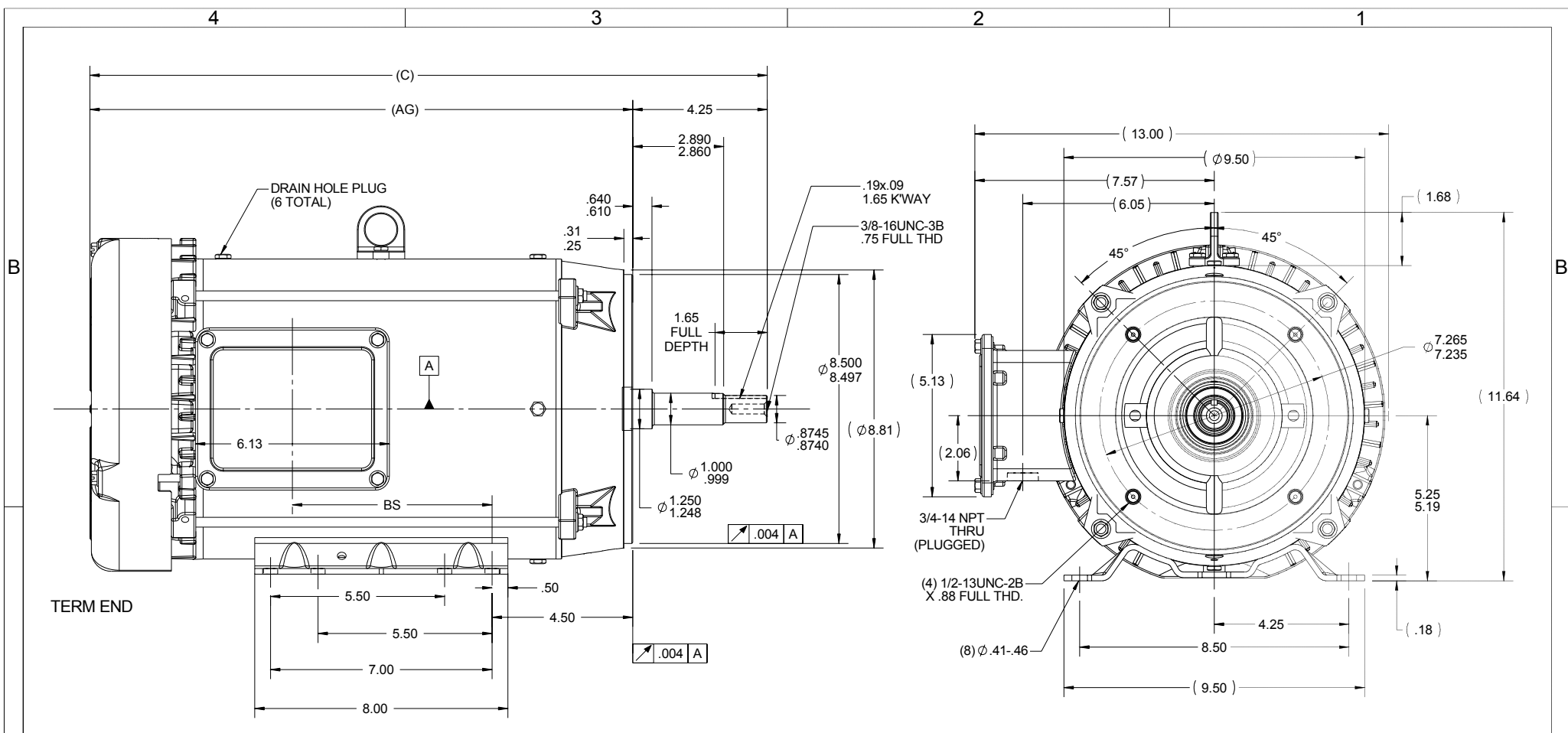


Nameplate Specifications

Output HP	7.50 Hp	Output KW	5.6 kW
Frequency	60 Hz	Voltage	230/460 V
Current	19.6/9.8 A	Speed	1765 rpm
Service Factor	1.15	Phase	3
Efficiency	91.7 %	Duty	Continuous
Insulation Class	F	Design Code	B
KVA Code	H	Frame	213JM
Enclosure	Totally Enclosed Fan Cooled	Overload Protector	No
Ambient Temperature	40 °C	Drive End Bearing Size	6309
Opp Drive End Bearing Size	6206	UL	Recognized
CSA	Y	CE	Y
IP Code	55		

Technical Specifications

Electrical Type	Squirrel Cage Induction Run	Starting Method	Across The Line
Poles	4	Rotation	Reversible
Mounting	Rigid base	Motor Orientation	HORIZONTAL
Drive End Bearing	BALL	Opp Drive End Bearing	BALL
Frame Material	Rolled Steel	Shaft Type	JM
Overall Length	21.40 in	Frame Length	9.65 in
Shaft Diameter	0.875 in	Shaft Extension	4.28 in
Assembly/Box Mounting	F1 ONLY		
Outline Drawing	038046-965	Connection Diagram	005010.01



- NOTES:
 1- NAMEPLATE TO BE READ FROM C'BOX SIDE OF MOTOR.
 DASH 965 TO BE READ FROM OPPOSITE SHAFT END
 2- C'BOX CAN BE MOUNTED ON OPPOSITE SIDE BY REMOVING BRACKETS AND TURNING FRAME 180 DEGREES (EXCEPT AS NOTED).

ORACLE REV
001

DASH	FRAME	C	BS	AG	MOUNTING
965	213JM	21.40	4.82	15.65	
1115	213/15JM	22.90	6.32	17.15	
1240	215JM	24.15	7.57	18.40	F1 ONLY

DRAWING REVISION	REVISION BY	DATE
A		
ECO	APPROVED BY	DATE
ECO-0086380		
ECO DESCRIPTION		
NEW DRAWING		
COPYRIGHT REGAL BELOIT AMERICA, INC. ALL RIGHTS RESERVED. PROPRIETARY AND CONFIDENTIAL INFORMATION - THIS DOCUMENT IS THE PROPERTY OF REGAL BELOIT AMERICA, INC. ("OWNER") AND CONTAINS OWNER'S PROPRIETARY INFORMATION. ANY PERSON, CORPORATION OR OTHER FIRM RECEIVING IT IS DEEMED, BY RECEIVING IT, TO AGREE THAT IT, AND/OR ANY PART OF IT, SHALL NOT BE DISCLOSED TO ANY PERSON, CORPORATION OR OTHER ENTITY, DUPLICATED, AND/OR USED, EXCEPT AS EXPRESSLY APPROVED IN WRITING IN ADVANCE BY OWNER. THIS DOCUMENT SHALL BE RETURNED TO OWNER UPON REQUEST. IT MAY BE SUBJECT TO CERTAIN RESTRICTIONS UNDER APPLICABLE EXPORT CONTROL LAWS AND REGULATIONS.		

TOLERANCES UNLESS OTHERWISE SPECIFIED:			
DEC.	INCH	mm	ANGLE
X	+0.1	[+2.5]	±0.5°
XX	+0.03	[+0.76]	
XXX	+0.005	[+0.127]	
XXXX	+0.0005	[+0.0127]	
REMOVE BURRS & BREAK SHARP EDGES: .003/.015 [076/.381] X 45° CORNER FILLETS: R.02 [51] MACHINED SURFACES: 125 $\sqrt{\text{mm}}$ 3.2 $\sqrt{\text{mm}}$ INCH $\sqrt{\text{mm}}$			
mm SHOWN IN [BRACKETS]			

DRAWN BY	SYED
DATE	10/14/15
APPROVED BY	SR
DATE	10/14/15
REFERENCE	
THIRD ANGLE PROJECTION	

REGAL™ Regal Beloit America, Inc.	
DESCRIPTION	OUTLINE WASHDOWN 210FR-TEFC-C-FACE-3PH
MATERIAL	PROCESS/FINISH
SIZE	DRAWING NUMBER
B	038046
SHEET	1 OF 1

005010-01

VIEW FROM OUTSIDE OF MOTOR AT SWITCH END.



VOLTAGE	L1	L2	L3	JOIN & INSULATE
HIGH	T1	T2	T3	(T4,T7) (T5,T8) (T6,T9)
LOW	T1,T7	T2,T8	T3,T9	T4,T5,T6

				TOLERANCES UNLESS SPECIFIED		Regal Beloit America, Inc.		DRAWN RDW 04/12/02				
				DEC.	INCHES			CHK				
				.X	±.1			APPD				
				.XX	±.01			SCALE 1=1				
				.XXX	±.005	TITLE		REF FIG.2-51				
A	UPDATED TO REGAL LOGO			SAJ	06/26/15	AJY	.XXXX	±.0005	MAT'L. DECAL - 004014	FMF		
NO.	REVISION			BY & DATE	CHK	ANG	±1/2"		FINISH	PREV		
THIS DRAWING IN DESIGN AND DETAIL IS OUR PROPERTY AND MUST NOT BE USED EXCEPT IN CONNECTION WITH OUR WORK ALL RIGHTS OF DESIGN AND INVENTION ARE RESERVED THIS IS AN ELECTRONICALLY GENERATED DOCUMENT - DO NOT SCALE THIS PRINT				RFP	04/12/02		CAD FILE	00501001		SIZE	DRAWING NO.	REV.
				DIST	BRF-NLV				A	005010-01		A



P.O. BOX 8003
WAUSAU, WI 54401-8003
PH. 715-675-3311

DATA VOLTS: 460

CERTIFICATION DATA SHEET

CONN. DIAGRAM: 005010.01
OUTLINE: 038046-9665
WINDING: K2134279

CAT #: 141270.00

R1 2

TYPICAL MOTOR PERFORMANCE DATA

HP	KW	SYNC RPM	FL RPM	FRAME	ENCLOSURE	TYPE	KVA CODE	DESIGN	
7.5	5.6	1800	1765	213JM	TEFC	TFW	H	B	
PH	HZ	VOLTS	AMPS	START TYPE	DUTY	INSL	S.F.	AMB	ELEV.
3	60/50	230/460#190/380	19.6/9.8&16.6/8.3	ACROSS THE LINE	CONT	F	1.15	40	3300
	F.L. EFF	91.7	3/4 LD EFF	91.6	1/2 LD EFF	90.6	GTD EFF		ELECT. TYPE
	F.L. PF	78.3	3/4 LD PF	72.6	1/2 LD PF	60.4	91.0		SQ CAGE IND RUN
	F.L. TORQUE	LR AMPS @ 460 V	L.R. TORQUE	B.D. TORQUE	F.L. RISE (°C)				
	22.3 LB-FT	67.5	52.9 LB-FT	237%	75.0 LB-FT	336%	55		
	PRESSURE @ 3 DBA	POWER	ROTOR WK²	MAX. LOAD WK²	SAFE STALL TIME	STARTS/HOUR	MOTOR WGT		
	62 DBA	71 DBA	0.85 LB-FT²	62 LB-FT²	15 SEC.	2	140 LB.		

*** SUPPLEMENTAL INFORMATION ***

DE BRACKET TYPE	ODE BRACKET TYPE	MOUNT TYPE	MOTOR ORIENTATION	SEVERE DUTY	HAZARDOUS LOCATION	DRIIP COVER	SCREENS	PAINT
C-FACE	STANDARD	RIGID	HORIZONTAL	NO	NONE	NO	NONE	ITE - LEESON (EPO
BEARINGS DE	ODE	GREASE	SHAFT TYPE	SPECIAL DE	SPECIAL ODE	SHAFT	MATERIAL	FRAME MATERIAL
BALL	BALL	POLYREX EM	JM	NONE	NONE	303 STAINLESS (C-501)		ROLLED STEEL
6309	6206							

THERMOSTATS	PROTECTORS	WDG RTD's	BRG RTD's	THERMISTORS	CONTROL	SPACE HEATERS
NONE	NOT	NONE	NONE	NONE	FALSE	NA
R1 (ohms/ph)	R2 (ohms/ph)	X1 (ohms/ph)	X2 (ohms/ph)	Xm (ohms/ph)	VIBRATION (in/sec)	FLOAT
0.76	1.108	2.458	3.173	50.414	0.080	ODE

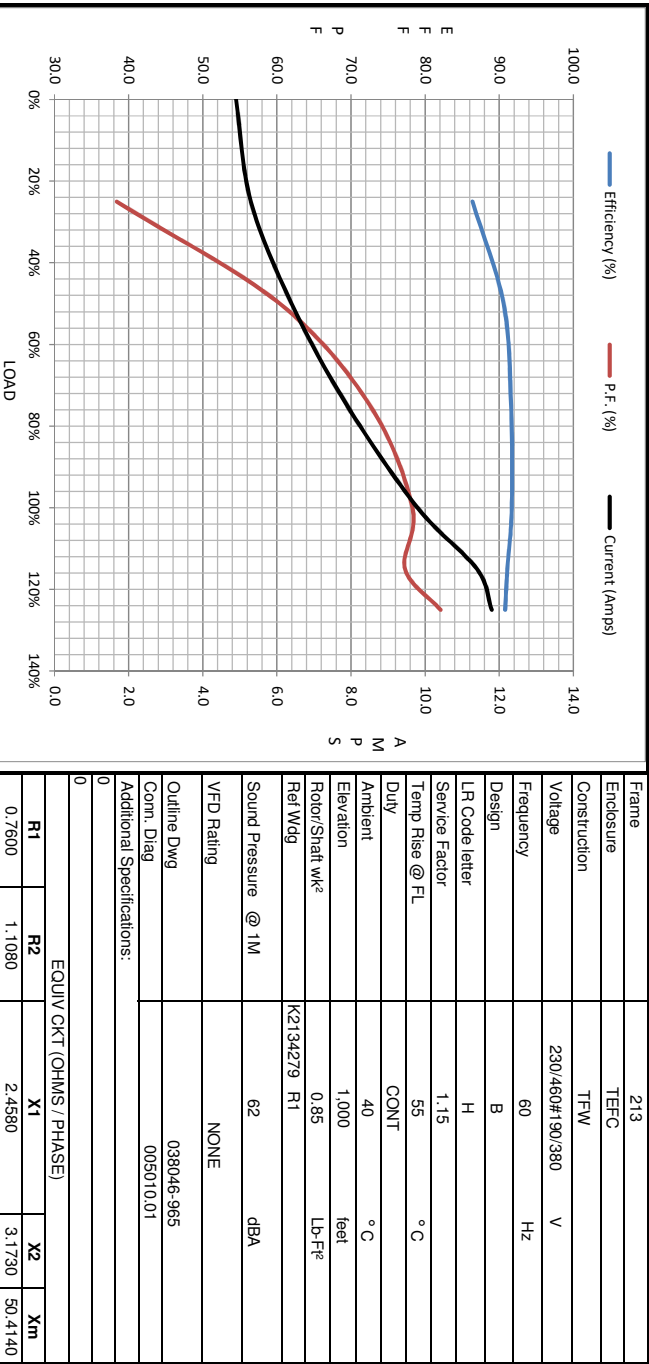
* N O T E S *	INVERTER TORQUE: NONE INV. HP SPEED RANGE: NONE	
	ENCODER: NONE	
	BRAKE: NONE	
	FT-LB: NA	
	VOLTAGE: NONE	
	UL: Y-(LEESON UL REC)	

DATE:	2/19/2018	HZ:	
-------	-----------	-----	--



Motor Load Data						
Load	0%	25%	50%	75%	100%	LR
Current (Amps)	4.9	5.3	6.4	7.9	9.8	67.5
Torque (ft-lb)	0.00	5.5	11.0	16.6	22.3	25.5
HPM	1800	1792	1785	1775	1765	0
Efficiency (%)		86.4	90.6	91.6	91.7	91.1
P.F. (%)	4.9	38.4	60.4	72.6	78.3	82.1

Motor Speed Data						Information Block																				
Speed (RPM)	LR	Pull-Up	BD	Rated	Idle	HP	Sync. RPM	Frame	Enclosure	Construction	Voltage	Frequency	Design	LR Code letter	Service Factor	Temp Rise @ FL	Duty	Ambient	Elevation	Rotor/Shaft wk ²	Ref Wdg	Sound Pressure @ 1M	VFD Rating	Outline Dwg	Conn. Diag	Additional Specifications:
0		900	1600	1765	1800	7.5	1800	213	TEFC	TFW	230/460#190/380	60	B	H	1.15	55	CONT	40 °C	1,000	0.85	K2134279 R1	62	NONE	038046-965	005010.01	
Current (Amps)	67.5	57.0	41.0	9.8	4.9																					
Torque (ft-lb)	52.9	49.0	75.0	22.3	0.00																					



EQUIV CKT (OHMS / PHASE)			
R1	R2	X1	Xm
0.7600	1.1080	2.4580	3.1790
			50.4140

