

# PRODUCT INFORMATION PACKET



Model No: C213T34WK8A

Catalog No: 141274.00

..7.5HP..3600RPM.213JM.TEFC.230/460V.3PH.60HZ.CONT.40C.1.15 S.F..RIGID C FACE.....STAINLESS  
JM PUMP.....

JM Pump



Regal and Leeson are trademarks of Regal Beloit Corporation or one of its affiliated companies.

©2018 Regal Beloit Corporation, All Rights Reserved. MC017097E



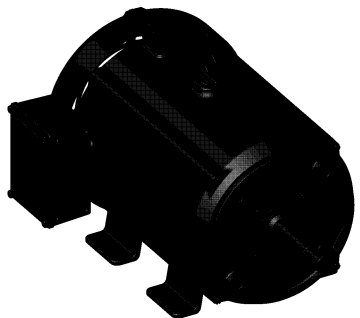
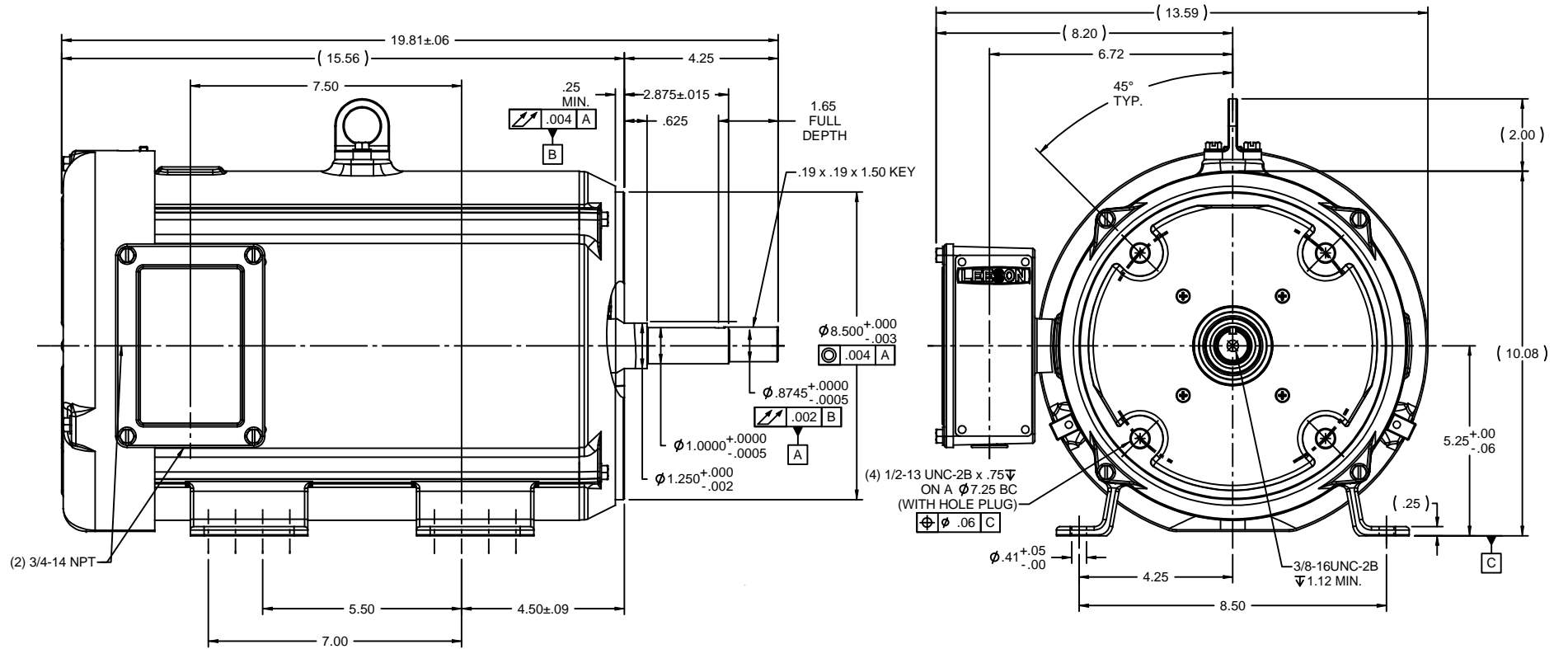


### Nameplate Specifications

Output HP	<b>7.50 Hp</b>	Output KW	<b>5.6 kW</b>
Frequency	<b>60 Hz</b>	Voltage	<b>230/460 V</b>
Current	<b>18.6/9.3 A</b>	Speed	<b>3525 rpm</b>
Service Factor	<b>1.15</b>	Phase	<b>3</b>
Efficiency	<b>89.5 %</b>	Duty	<b>Continuous</b>
Insulation Class	<b>F</b>	Design Code	<b>B</b>
KVA Code	<b>H</b>	Frame	<b>213JM</b>
Enclosure	<b>Totally Enclosed Fan Cooled</b>	Overload Protector	<b>No</b>
Ambient Temperature	<b>40 °C</b>	Drive End Bearing Size	<b>6209</b>
Opp Drive End Bearing Size	<b>6207</b>	UL	<b>Recognized</b>
CSA	<b>Y</b>	CE	<b>Y</b>
IP Code	<b>43</b>		

### Technical Specifications

Electrical Type	<b>Squirrel Cage Inverter Rated</b>	Starting Method	<b>Line Or Inverter</b>
Poles	<b>2</b>	Rotation	<b>Reversible</b>
Mounting	<b>Rigid base</b>	Motor Orientation	<b>HORIZONTAL</b>
Drive End Bearing	<b>BALL</b>	Opp Drive End Bearing	<b>BALL</b>
Frame Material	<b>Stainless Steel</b>	Shaft Type	<b>JM</b>
Overall Length	<b>19.81 in</b>	Frame Length	<b>12.00 in</b>
Shaft Diameter	<b>0.875 in</b>	Shaft Extension	<b>4.21 in</b>
Assembly/Box Mounting	<b>F1 ONLY</b>		
Outline Drawing	<b>037618</b>	Connection Diagram	<b>005010.01</b>



ISOMETRIC VIEW  
SCALE 1=6

		TOLERANCES UNLESS SPECIFIED			ELECTRIC MOTORS GEARMOTORS AND DRIVES	DRAWN	JJK 07/21/04
DEC	INCHES	X	±.1			CHK	
XX	±.03	XXX	±.005	TITLE OUTLINE - 210TC FRAME TEFC - RIGID "C" - JM PUMP		APPR	
XXXX	±.0005			MAT'L WASHGUARD ALL STAINLESS STEEL MOTOR		SCALE	3:8
NO	REVISION	BY & DATE	CHK	ANG	FINISH	REF	037616
THIS DRAWING IN DESIGN AND DETAIL IS OUR PROPERTY AND MUST NOT BE USED EXCEPT IN CONNECTION WITH OUR WORK. ALL RIGHTS OF DESIGN AND INVENTION ARE RESERVED. THIS IS AN ELECTRONICALLY GENERATED DOCUMENT - DO NOT SCALE THIS PRINT				RFP	CAD FILE 037618	SIZE	B
				DIST	NLV	DRAWING NO	037618
						REV	

005010-01

VIEW FROM OUTSIDE OF MOTOR AT SWITCH END.



VOLTAGE	L1	L2	L3	JOIN & INSULATE
HIGH	T1	T2	T3	(T4,T7) (T5,T8) (T6,T9)
LOW	T1,T7	T2,T8	T3,T9	T4,T5,T6

				TOLERANCES UNLESS SPECIFIED		<b>Regal Beloit America, Inc.</b>		DRAWN RDW 04/12/02	
				DEC.	INCHES			CHK	
				.X	±.1	TITLE EXTERNAL WIRING DIAGRAM 3 PHASE W/O PROTECTOR		APPD	
				.XX	±.01			SCALE 1=1	
				.XXX	±.005			REF FIG.2-51	
A	UPDATED TO REGAL LOGO	SAJ 06/26/15	AJY .XXXX ±.0005	MAT'L. DECAL - 004014		FMF		PREV	
NO.	REVISION	BY & DATE	CHK ANG ±1/2"	RFP 04/12/02	CAD FILE 00501001	SIZE A	DRAWING NO. 005010-01		REV. A
THIS DRAWING IN DESIGN AND DETAIL IS OUR PROPERTY AND MUST NOT BE USED EXCEPT IN CONNECTION WITH OUR WORK ALL RIGHTS OF DESIGN AND INVENTION ARE RESERVED THIS IS AN ELECTRONICALLY GENERATED DOCUMENT - DO NOT SCALE THIS PRINT				DIST BRF-NLV					



Motor Load Data

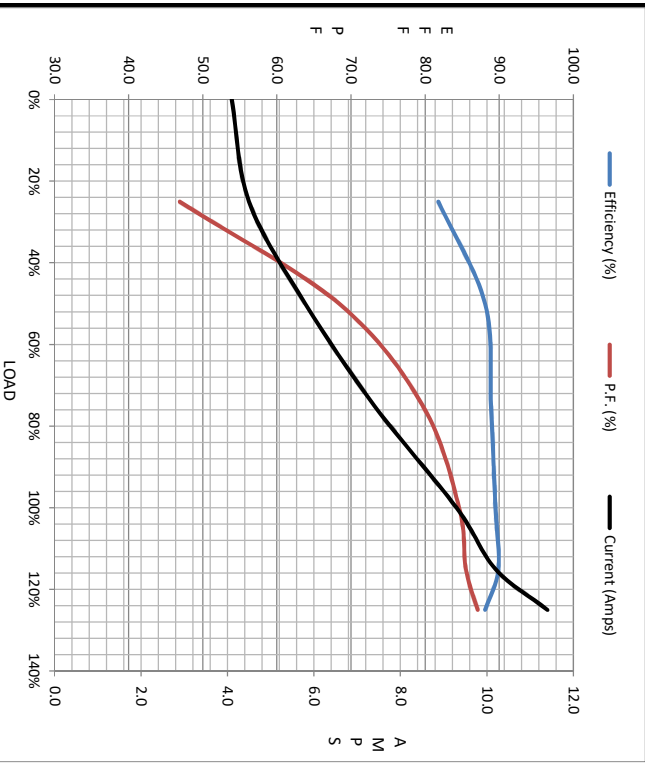
Load	0%	25%	50%	75%	100%	115%	125%	LR
Current (Amps)	4.1	4.5	5.8	7.4	9.3	10.2	11.4	63.0
Torque (ft-lb)	0.00	2.70	5.5	8.3	11.2	12.5	14.0	19.3
RPM	3600	3585	3565	3545	3525	3520	3505	0
Efficiency (%)		81.8	88.1	88.9	89.5	89.9	88.1	88.1
P.F. (%)	8.0	46.9	88.4	79.7	84.6	85.5	87.1	0.0

Motor Speed Data

	LR	Pull-Up	BD	Rated	Idle
Speed (RPM)	0	552	3130	3525	3600
Current (Amps)	63.0	60.0	38.0	9.3	4.1
Torque (ft-lb)	19.3	19.0	33.0	11.2	0.00

Information Block

HP	7.5			
Sync. RPM	3600			
Frame	213			
Enclosure	TEFC			
Construction	TFW			
Voltage	230/460#190/380 V			
Frequency	60 Hz			
Design	B			
LR Code letter	H			
Service Factor	1.15			
Temp Rise @ FL	55 °C			
Duty	CONT			
Ambient	40 °C			
Elevation	1,000 feet			
Rotor/Shaft wk <sup>2</sup>	0.55 LB-Ft <sup>2</sup>			
Ref Wdg	K2132124 NONE			
Sound Pressure @ 1M	72 dBA			
VFD Rating	CONSTANT 3:1			
Outline Dwg	037618-1200			
Conn. Diag	005010.01			
Additional Specifications:				
EQUIV CKT (OHMS / PHASE)				
R1	R2	X1	X2	Xm
1-.0550	0.5750	2.3440	1.4140	56.7000



Speed -Torque Curve

