

PRODUCT INFORMATION PACKET



Model No: C215K17DB13A
Catalog No: 140816.00
10HP..1730RPM.215.DPAO./V.1PH.60HZ..NOT.80C..RIGID..C215K17DB13A
Tobacco Barn



Regal and Leeson are trademarks of Regal Beloit Corporation or one of its affiliated companies.
©2018 Regal Beloit Corporation, All Rights Reserved. MC017097E



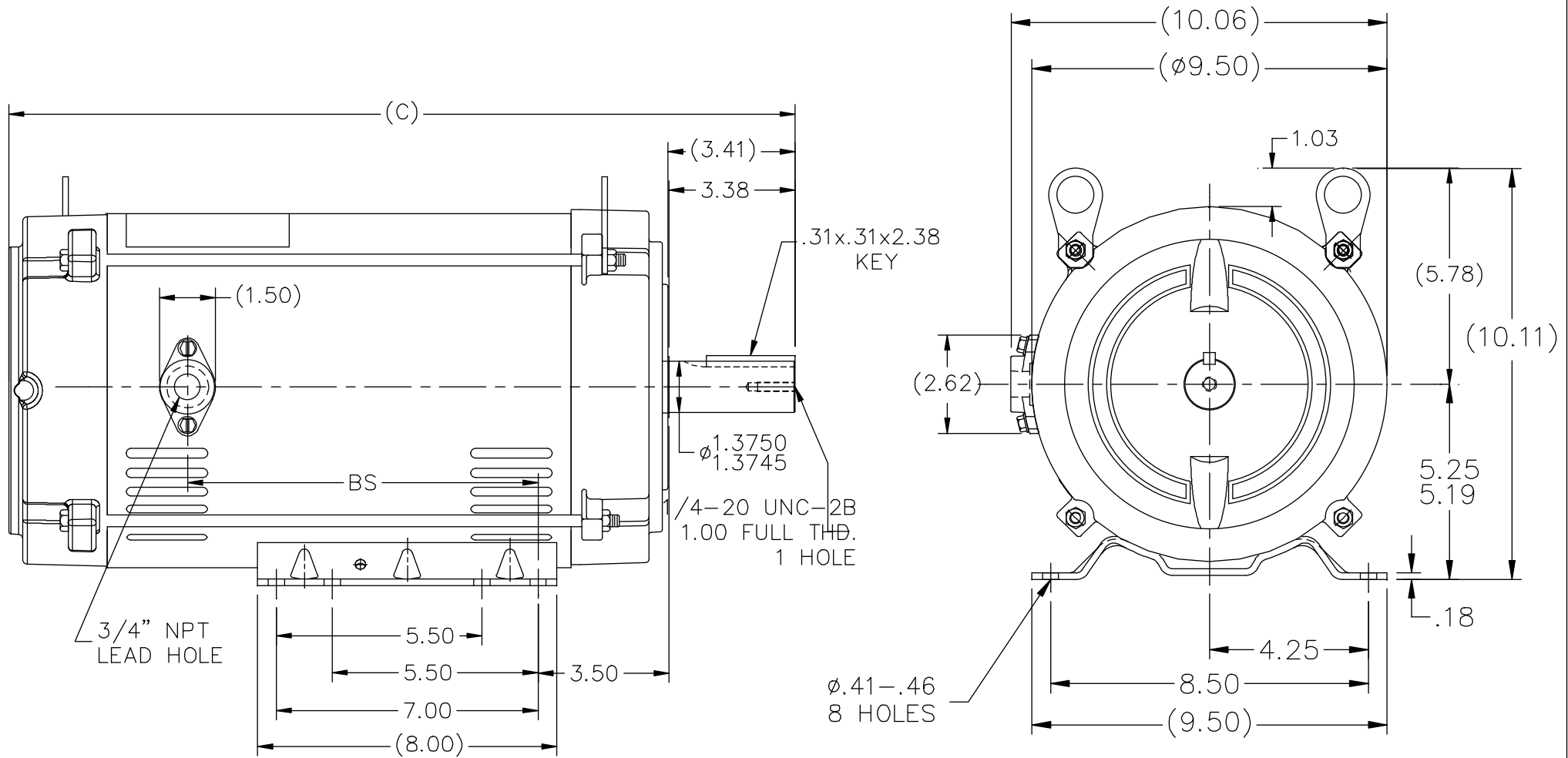


Nameplate Specifications

Output HP	10 Hp	Output KW	7.5 kW
Frequency	60 Hz	Voltage	230 V
Current	44.0 A	Speed	1730 rpm
Service Factor	1.15	Phase	1
Efficiency	82.5 %	Duty	Continuous
Insulation Class	H	Design Code	L
KVA Code	G	Frame	215TVZ
Enclosure	Drip Proof Air Over	Overload Protector	No
Ambient Temperature	80 °C	Drive End Bearing Size	6307
Opp Drive End Bearing Size	6206	UL	Recognized
CSA	Y	CE	N
IP Code	22		

Technical Specifications

Electrical Type	Capacitor Start Capacitor Run	Starting Method	Across The Line
Poles	4	Rotation	Selective Counterclockwise
Mounting	Rigid base	Motor Orientation	SHAFT UP
Drive End Bearing	BALL	Opp Drive End Bearing	BALL
Frame Material	Rolled Steel	Shaft Type	Single Special Extension
Overall Length	20.65 in	Frame Length	12.40 in
Shaft Diameter	1.375 in	Shaft Extension	3.38 in
Assembly/Box Mounting	F1 ONLY		
Outline Drawing	A-SS89636LE-1240	Connection Diagram	A-EE9048MF-LE



NOTES:

1. NAMEPLATE TO BE READ FROM LEAD EXIT SIDE OF MOTOR.

1240	215T	20.65	9.37
DASH	FRAME	C	BS

TOLERANCES UNLESS SPECIFIED

DEC.	INCHES
.X	±.1
.XX	±.03
.XXX	±.005
.XXXX	±.0005
ANG	±7'30"



ELECTRIC MOTORS
GEARMOTORS
AND DRIVES

DRAWN	KVN	06/18/2009
CHK	SVL	06/18/2009
APPD	SVL	06/18/2009
SCALE	1=4	
REF	SS87033	
FMF	MU91424	
PREV	PR0901190L-LE	

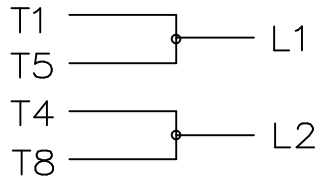
TITLE OUTLINE - SINGLE PHASE
210T FR. - BB - SS - DRIP PROOF

02	BS - DIMENSION REVISED	UD	08/26/13
01	ENDBELLS CHANGED TO CAST IRON	GR	03/28/13
NO.	REVISION	BY &	DATE

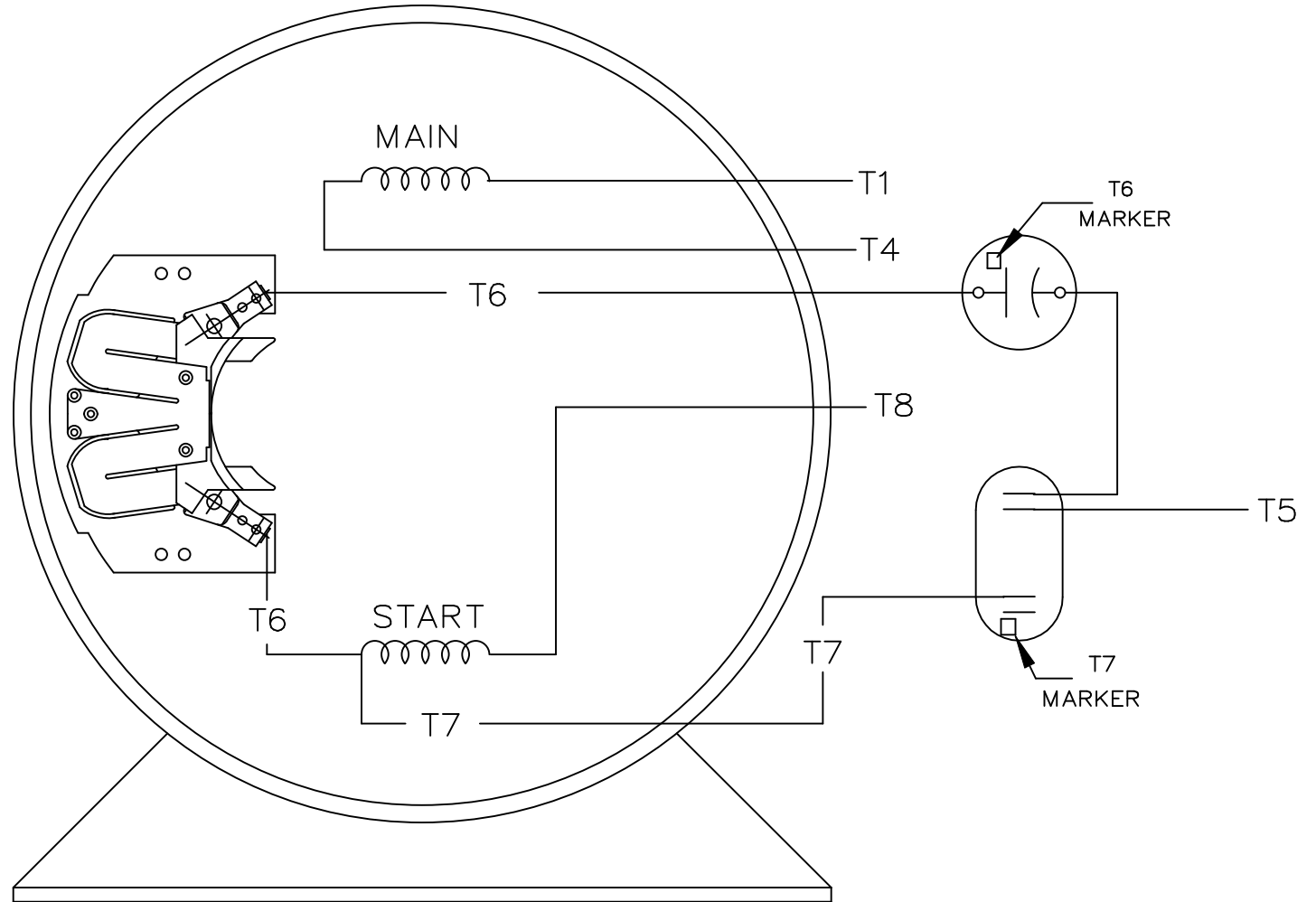
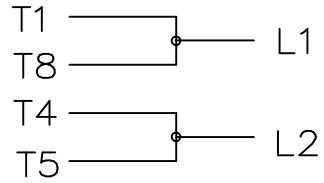
THIS DRAWING IN DESIGN AND DETAIL IS OUR PROPERTY AND MUST NOT BE USED EXCEPT IN CONNECTION WITH OUR WORK ALL RIGHTS OF DESIGN AND INVENTION ARE RESERVED THIS IS AN ELECTRONICALLY GENERATED DOCUMENT - DO NOT SCALE THIS PRINT

RFP	CAD FILE	SS89636LE	SIZE	DRAWING NO.	PAGE	OF	REV.
DIST			A	SS89636LE			02

C.W. ROTATION




C.C.W. ROTATION



SINGLE VOLTAGE
CAPACITOR START
CAPACITOR RUN
REVERSIBLE

VIEW OF TERMINAL END

				TOLERANCES UNLESS SPECIFIED		 ELECTRIC MOTORS GEARMOTORS AND DRIVES	DRAWN RJM 07-25-2002		
				DEC.	INCHES		CHK		
				.X	±.1		APPD		
				.XX	±.02		SCALE 1=1		
				.XXX	±.005		REF		
1	NEW DRAWING - DES/DEV	RJM		.XXXX	±.0005	MAT'L.	FMF		
NO.	REVISION	BY & DATE	CHK	ANG	±7'30"	FINISH	PREV		
THIS DRAWING IN DESIGN AND DETAIL IS OUR PROPERTY AND MUST NOT BE USED EXCEPT IN CONNECTION WITH OUR WORK ALL RIGHTS OF DESIGN AND INVENTION ARE RESERVED THIS IS AN ELECTRONICALLY GENERATED DOCUMENT - DO NOT SCALE THIS PRINT				RFP	CAD FILE EE9048MF-LE		SIZE	DRAWING NO. PAGE OF	REV.
				DIST LB			A	EE9048MF-LE	1

