

# PRODUCT INFORMATION PACKET

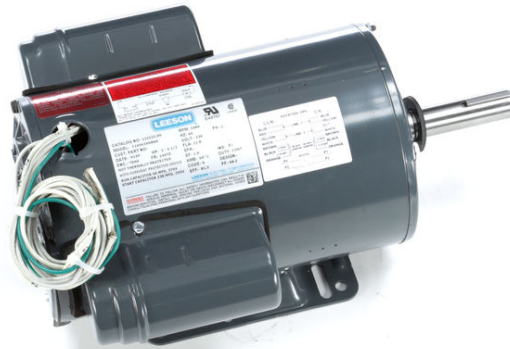


Model No: C215K34NB73A

Catalog No: 141220.00

..10-15 -HP..3600RPM.215TZ.TEAO.230V.1PH.60HZ.CONT.50C.1.0SF.RIGID.....CROP DRYER.....

Crop Dryer



Regal and Leeson are trademarks of Regal Beloit Corporation or one of its affiliated companies.

©2018 Regal Beloit Corporation, All Rights Reserved. MC017097E





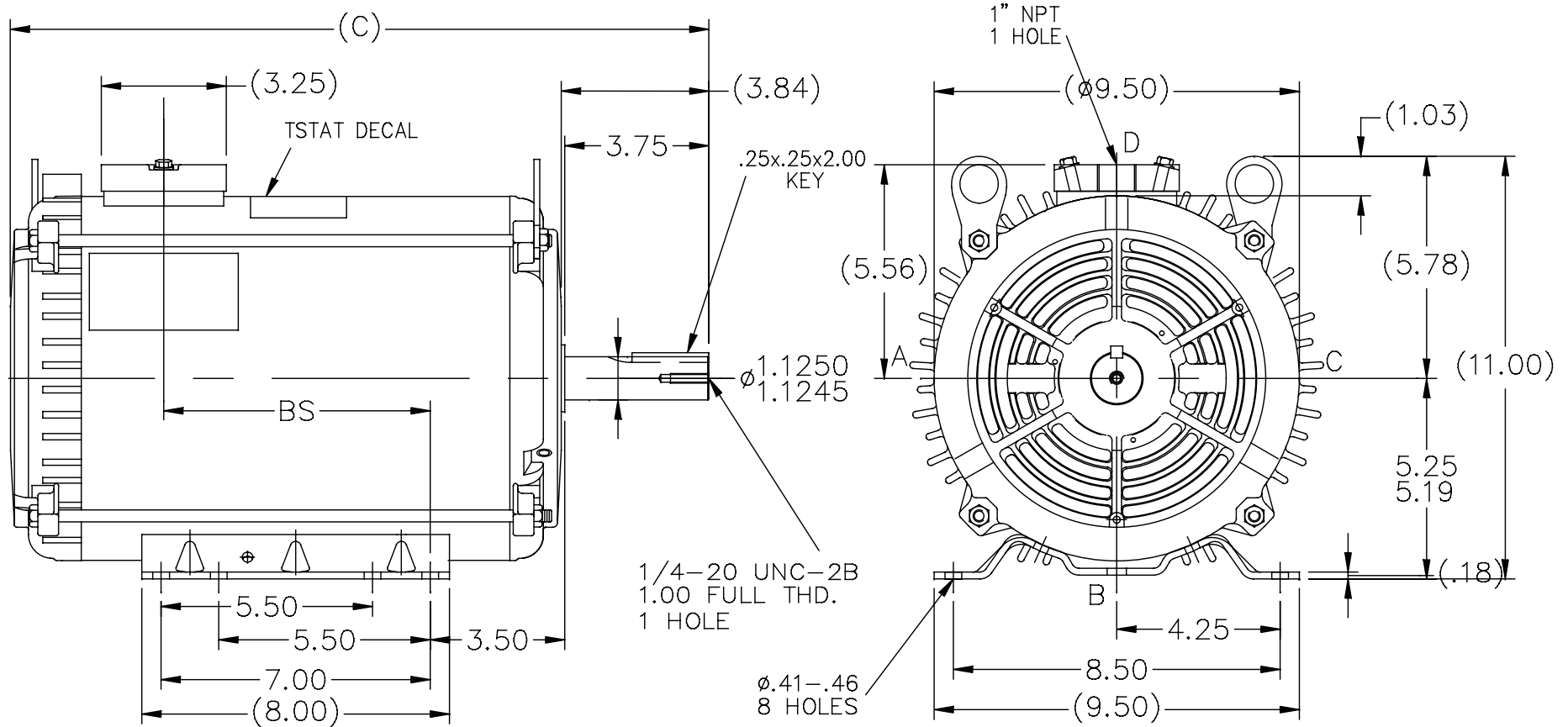
### Nameplate Specifications

Output HP	<b>10 Hp</b>	Output KW	<b>7.5 kW</b>
Frequency	<b>60 Hz</b>	Voltage	<b>230 V</b>
Current	<b>45.8 A</b>	Speed	<b>3475 rpm</b>
Service Factor	<b>1.5</b>	Phase	<b>1</b>
Efficiency	<b>82.5 %</b>	Duty	<b>Continuous</b>
Insulation Class	<b>F</b>	Design Code	<b>NO DESIGN CODE</b>
KVA Code	<b>D</b>	Frame	<b>215TZ</b>
Enclosure	<b>Totally Enclosed Air Over</b>	Overload Protector	<b>No</b>
Ambient Temperature	<b>40 °C</b>	Drive End Bearing Size	<b>6307</b>
Opp Drive End Bearing Size	<b>6206</b>	UL	<b>Recognized</b>
CSA	<b>Y</b>	CE	<b>N</b>
IP Code	<b>43</b>		

### Technical Specifications

Electrical Type	<b>Capacitor Start Induction Run</b>	Starting Method	<b>Across The Line</b>
Poles	<b>2</b>	Rotation	<b>Selective Counterclockwise</b>
Mounting	<b>Rigid base</b>	Motor Orientation	<b>HORIZONTAL</b>
Drive End Bearing	<b>BALL</b>	Opp Drive End Bearing	<b>BALL</b>
Frame Material	<b>Rolled Steel</b>	Shaft Type	<b>Single Special Extension</b>
Overall Length	<b>18.17 in</b>	Frame Length	<b>11.15 in</b>
Shaft Diameter	<b>1.125 in</b>	Shaft Extension	<b>3.75 in</b>
Assembly/Box Mounting	<b>F3</b>		
Outline Drawing	<b>038026-1115</b>	Connection Diagram	<b>EE7090KL</b>

038026



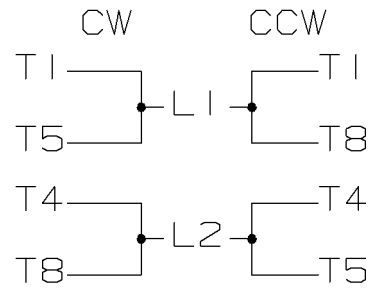
DASH	FR.	C	BS	
965	213T	16.67	5.43	
1115	213/15T	18.17	6.93	
1240	213/15T	19.42	8.18	F1 ONLY

NOTES:

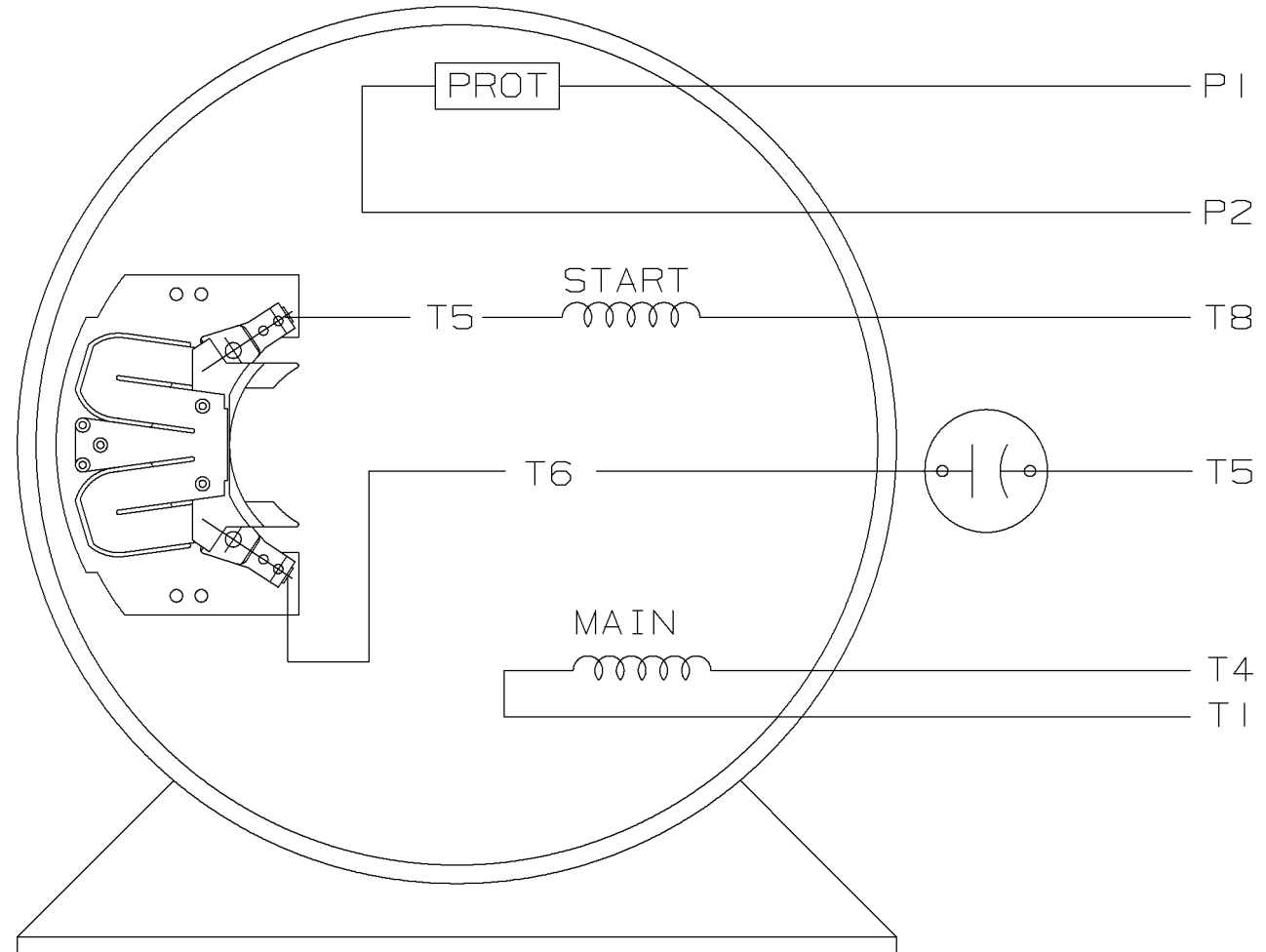
1. NAMEPLATE TO BE READ FROM "A" SIDE OF MOTOR.
2. SEE MODEL FOR LEAD LENGTH.

				TOLERANCES UNLESS SPECIFIED		LEESON	ELECTRIC MOTORS GEARMOTORS AND DRIVES	DRAWN	SAJ 7/7/15
				DEC.	INCHES			CHK	SR 7/7/15
				.X	$\pm .1$			APPD	
				.XX	$\pm .03$	TITLE OUTLINE		SCALE	1=4
				.XXX	$\pm .005$	210TZ FR. - BB - SS - TENV - 1 $\phi$		REF	OLSPR112641
01	NEW DRAWING	SAJ 7/7/15	SR	.XXXX	$\pm .0005$	MAT'L.		FMF	
NO.	REVISION	BY & DATE	CHK	ANG	$\pm 7'30''$	FINISH		PREV	
THIS DRAWING IN DESIGN AND DETAIL IS OUR PROPERTY AND MUST NOT BE USED EXCEPT IN CONNECTION WITH OUR WORK ALL RIGHTS OF DESIGN AND INVENTION ARE RESERVED THIS IS AN ELECTRONICALLY GENERATED DOCUMENT - DO NOT SCALE THIS PRINT				RFP		CAD FILE 038026		SIZE	DRAWING NO. PAGE OF REV.
				DIST	LB	A		038026	01

SINGLE VOLTAGE CAPACITOR START MOTOR, ELECTRICALLY REVERSIBLE



P1 & P2 ARE THERMAL PROTECTOR LEADS



VIEW OF TERMINAL END

				✓ MAX. SURFACE ROUGHNESS UNLESS NOTED OTHERWISE	UNLESS OTHERWISE SPECIFIED DIMENSIONS ARE IN INCHES TOL. ON XX±.02 XXX±.005 XXXX±.0005 ANGLES± 7'30"		
2	11-3-95	REVISED - P2 LEAD WAS P1 CN 20775-671	KL	MATL SPEC	180-210 SWITCH	DRAWN BY	BLR 8-24-95
1	08-24-95	NEW DRAWING 4311347	BLR	FINISH	MARATHON ELECTRIC WAUSAU, WISCONSIN 54401	CHKD BY	DA 8-24-95
REV	DATE	CHANGE	NAME	PART NAME CONNECTION DIAGRAM			DRWG NO A-EE7090KL
		SHOP BOOK	PURCHASED	DISTRIBUTION - WA - LB - WP - LM		CADD FILE NO.	EE7090KL

```
ERROR: syntaxerror  
OFFENDING COMMAND: --nostringval--
```

```
STACK:
```

```
-dictionary-  
-dictionary-  
/Pscript_WinNT_Compact  
-dictionary-
```