

PRODUCT INFORMATION PACKET



Model No: C215T48FB43C
Catalog No: 140445.00
5/2.5HP..1725/850RPM.215.TEFC./460V.3PH.60HZ.CONT.NOT.40C.1.0SF.RIGID.TWO-
SPEED.C215T48FB43C
Fan and Blower



Regal and Leeson are trademarks of Regal Beloit Corporation or one of its affiliated companies.
©2018 Regal Beloit Corporation, All Rights Reserved. MC017097E



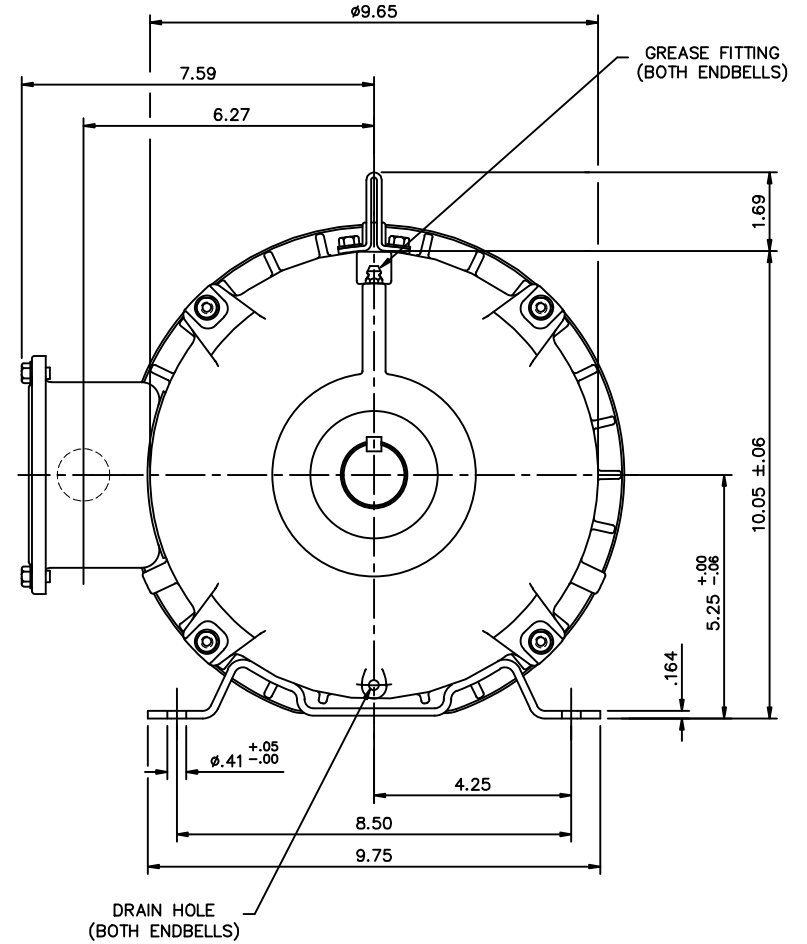
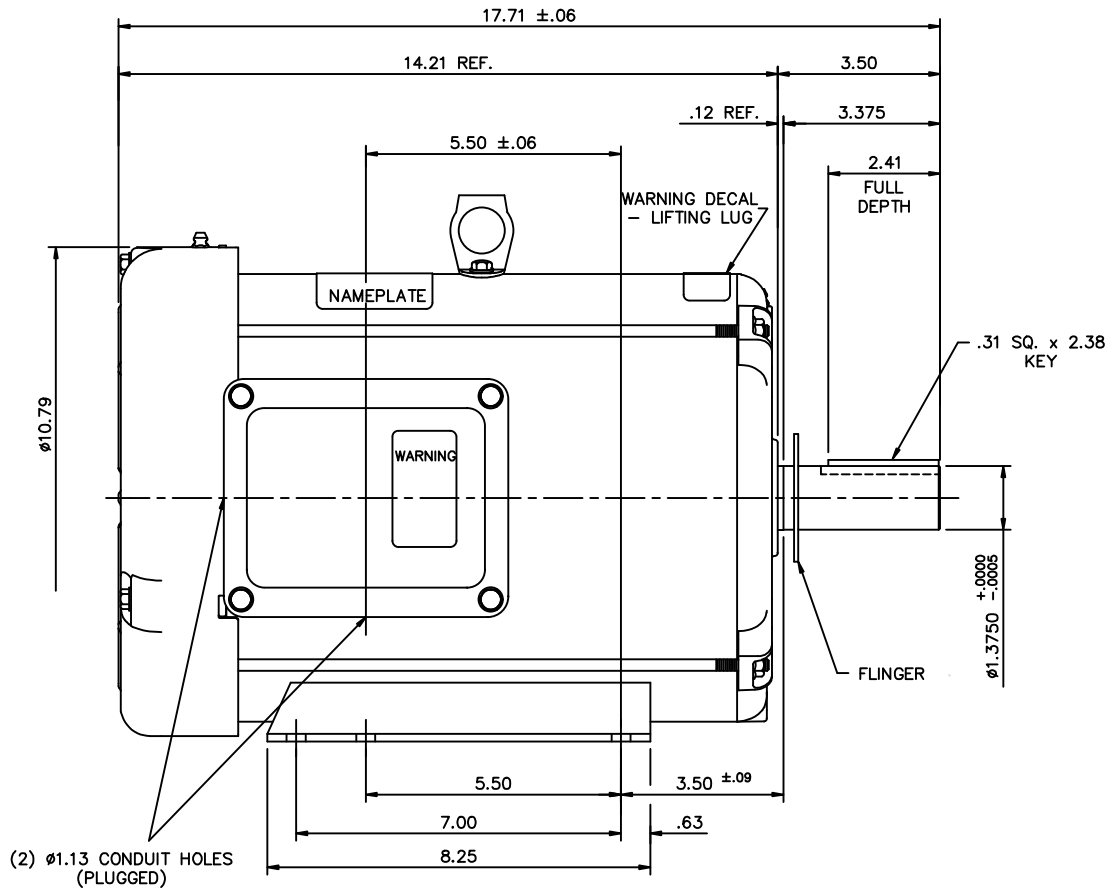


Nameplate Specifications

Output HP	5 Hp	Output KW	3.7 kW
Frequency	60 Hz	Voltage	460 V
Current	6.7 A	Speed	1725 rpm
Service Factor	1	Phase	3
Efficiency	80 %	Duty	Continuous
Insulation Class	F	Design Code	NO DESIGN CODE
KVA Code	H	Frame	215T
Enclosure	Totally Enclosed Fan Cooled	Overload Protector	No
Ambient Temperature	40 °C	Drive End Bearing Size	6207
Opp Drive End Bearing Size	6206	UL	Recognized
CSA	Y	CE	N
IP Code	43		

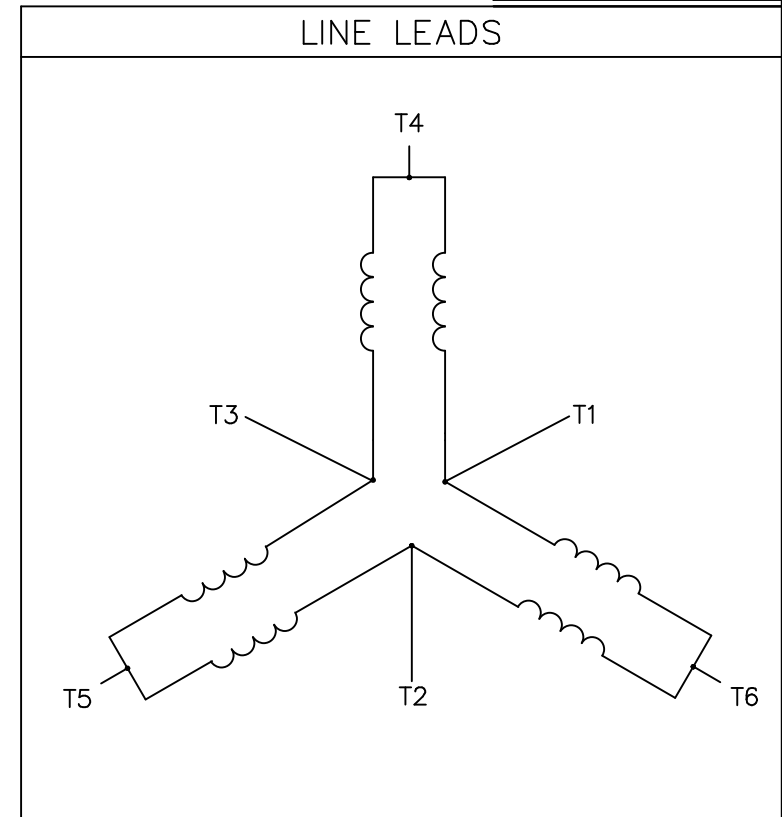
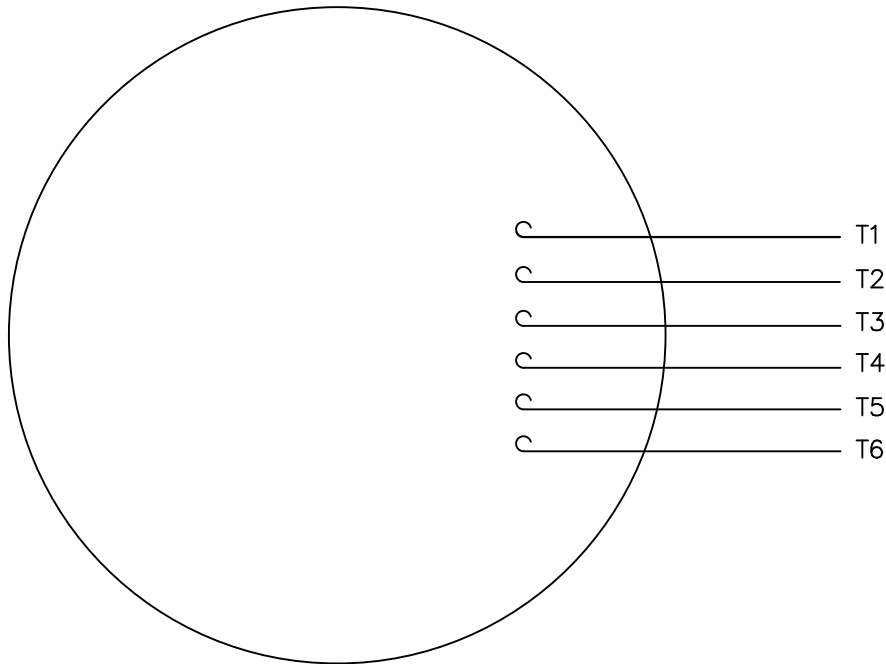
Technical Specifications

Electrical Type	Squirrel Cage Induction Run	Starting Method	Across The Line
Poles	4	Rotation	Reversible
Mounting	Rigid base	Motor Orientation	HORIZONTAL
Drive End Bearing	BALL	Opp Drive End Bearing	BALL
Frame Material	Rolled Steel	Shaft Type	T
Overall Length	17.71 in	Frame Length	11.00 in
Shaft Diameter	1.375 in	Shaft Extension	3.38 in
Assembly/Box Mounting	F1/F2 CAPABLE		
Outline Drawing	OL140445	Connection Diagram	005148.01



02 ADDED: WARNING DECAL - LIFTING LUG & WARNING DECAL - WITH/OUT PROTECTOR; REMOVED: DECAL - WIRING INSTRUCTION, NAMEPLATE -was- TV SCREEN STYLE			KVN 4/19/2010	TOLERANCES UNLESS OTHERWISE SPECIFIED			LEESON ELECTRIC CORPORATION		
01 REMOVED "LEESON" FROM CONDUIT BOX COVER EFF. 07/31/01			BPW 05/16/01	DEC.	INCHES	METRIC	DRAWN PG 02/21/00	TITLE	OUTLINE - 215T FRAME TEFC - RIGID MOUNT
NO. REVISION			BY & DATE	CH'K'D.	.X	±.1	±.25	MAT'L.	NLV
THIS DRAWING IN DESIGN AND DETAIL IS OUR PROPERTY AND MUST NOT BE USED EXCEPT IN CONNECTION WITH OUR WORK. ALL RIGHTS OF DESIGN AND INVENTION ARE RESERVED. THIS IS AN ELECTRONICALLY GENERATED DOCUMENT - DO NOT SCALE THIS PRINT.				FRACTIONS	±1/64	REF.	037511	FINISH	STANDARD
				ANGLES	±1/2°	FMF	140445	REV.	02
								DRAWING NO.	OL140445

VIEW FROM OUTSIDE OF MOTOR AT SWITCH END.



SPEED	L1	L2	L3	JOIN	SEPARATE
HIGH	T6	T4	T5	(T1,T2,T3)	
LOW	T1	T2	T3		(T4),(T5), (T6)

		TOLERANCES UNLESS SPECIFIED	
		DEC.	INCHES
		.X	±.1
		.XX	±.01
03	SPEED WAS VOLTAGE	RLW 6/23/04	.XXX ±.005
02	REDRAWN TO CAD	DBT 5/30/97	.XXXX ±.0005
NO.	REVISION	BY & DATE	CHK ANG ±1/2°
			RFP 10/31/77
THIS DRAWING IN DESIGN AND DETAIL IS OUR PROPERTY AND MUST NOT BE USED EXCEPT IN CONNECTION WITH OUR WORK ALL RIGHTS OF DESIGN AND INVENTION ARE RESERVED THIS IS AN ELECTRONICALLY GENERATED DOCUMENT - DO NOT SCALE THIS PRINT			DIST



ELECTRIC MOTORS
GEARMOTORS
AND DRIVES

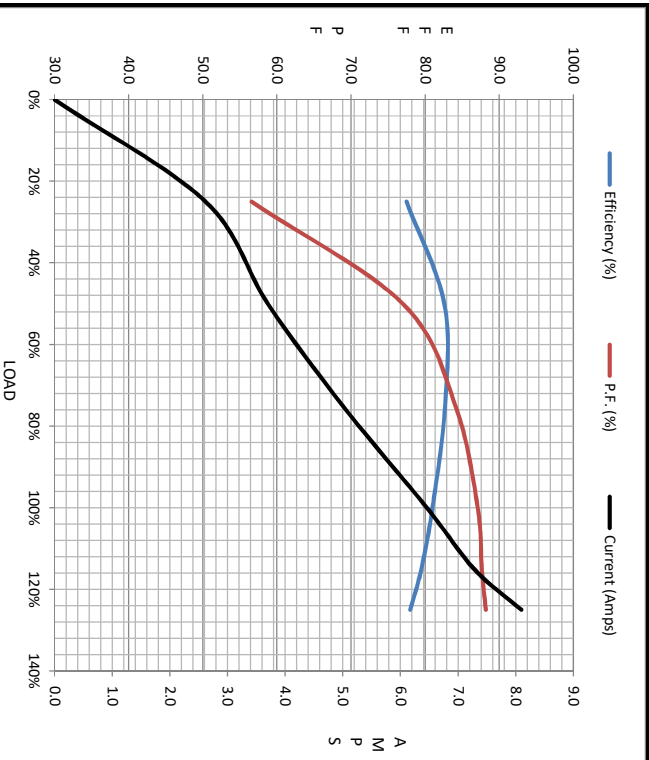
DRAWN	DLL 10/19/77
CHK	RPB 10/28/77
APPD	JCW 10/31/77
SCALE	1=1
REF	W-T8(4-8)1
FMF	184T17FB9
PREV	

TITLE	EXT. WIRING DIAGRAMS 3 PHASE W/O PROTECTOR
MAT'L.DECAL:	004183 2SPEED/1WINDING/CONSTANT TORQUE
FINISH	
CAD FILE	00514801
SIZE	A
DRAWING NO.	005148-01
REV.	03



Motor Load Data						
Load	0%	25%	50%	75%	100%	LR
Current (Amps)	0.00	2.62	3.7	5.0	6.5	41.5
Torque (ft-lb)	0.00	3.8	7.5	11.3	15.0	42.0
RPM	1800	1779	1757	1733	1705	0
Efficiency (%)		77.5	82.6	82.7	81.0	79.5
P.F. (%)	0.0	56.6	77.0	84.1	87.1	88.2

Motor Speed Data						Information Block																											
LR	Pull-Up	BD	Rated	Idle		HP	Sync. RPM	Frame	Enclosure	Construction	Voltage	Frequency	Design	LR Code letter	Service Factor	Temp Rise @ FL	Duty	Ambient	Elevation	Rotor/Shaft wk ²	Ref Wdg	Sound Pressure @ 1M	VFD Rating	Outline Dwg	Conn. Diag	Additional Specifications:	R1	R2	X1	X2	Xm		
0	900	1656	1705	1800		5.0	1800	210	TEFC	NA	460	60	B	H	1.15	0	CONT	40	1,000	0.00	NONE	0	NONE	NONE	OL140445	005148.01		0.0000	0.0000	0.0000	0.0000	0.0000	
41.5	38.2	24.9	6.5	0.00																													
42.0	36.5	45.0	15.0	0.00																													



EQUIV CKT (OHMS / PHASE)			
R1	R2	X1	Xm
0.0000	0.0000	0.0000	0.0000

