

PRODUCT INFORMATION PACKET



Model No: C215T48FB46C

Catalog No: 140447.00

..7 1/2HP..1740RPM.215.TEFC./460V.3PH.60HZ.CONT.40C.1.0SF.RIGID.C215T48FB46C.....TWO-SPEED.NOT.....

2 Speed



Regal and Leeson are trademarks of Regal Beloit Corporation or one of its affiliated companies.

©2018 Regal Beloit Corporation, All Rights Reserved. MC017097E



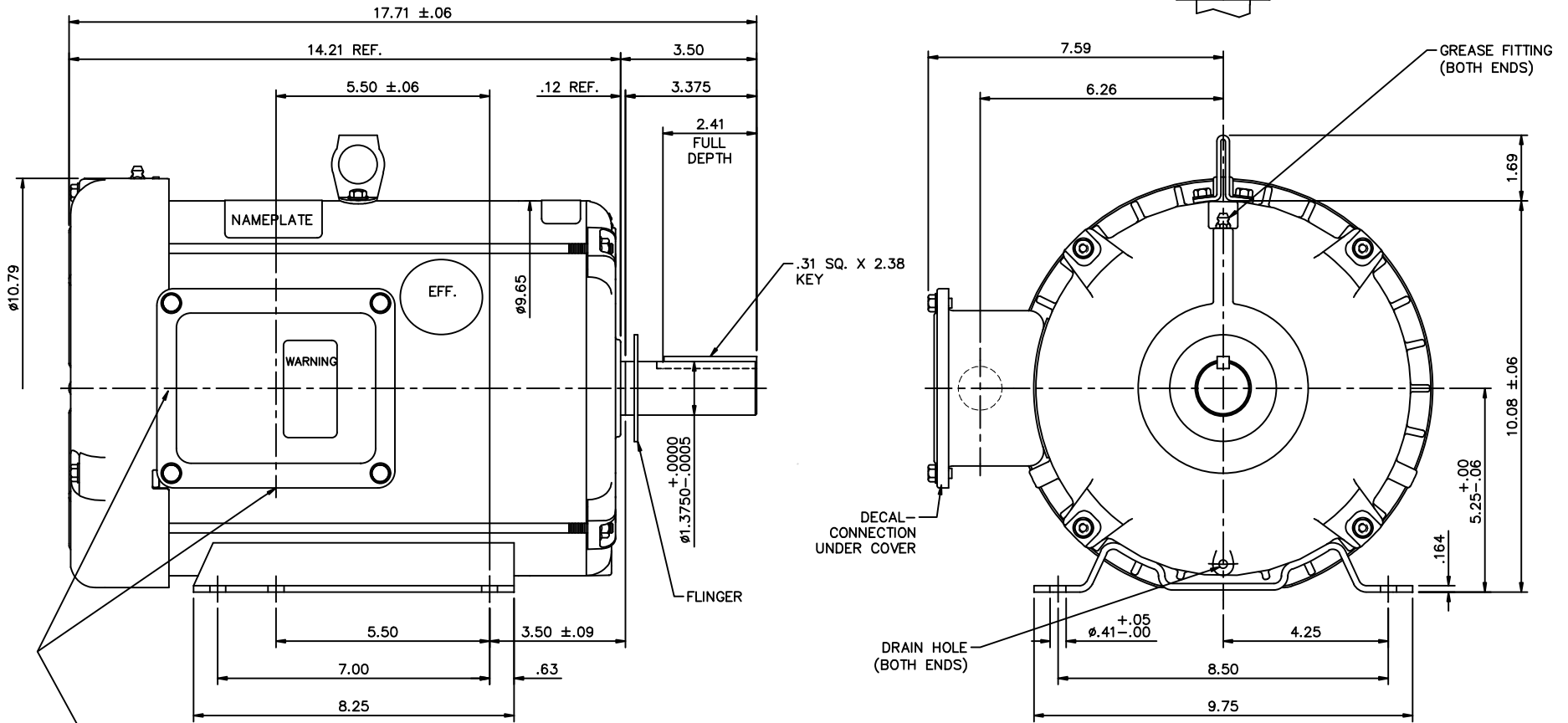


Nameplate Specifications

Output HP	7.50 Hp	Output KW	5.6 kW
Frequency	60 Hz	Voltage	460 V
Current	9.7 A	Speed	1740 rpm
Service Factor	1	Phase	3
Efficiency	85.5 %	Duty	Continuous
Insulation Class	F	Design Code	NO DESIGN CODE
KVA Code	J	Frame	215T
Enclosure	Totally Enclosed Fan Cooled	Overload Protector	No
Ambient Temperature	40 °C	Drive End Bearing Size	6207
Opp Drive End Bearing Size	6206	UL	Recognized
CSA	Y	CE	N
IP Code	43		

Technical Specifications

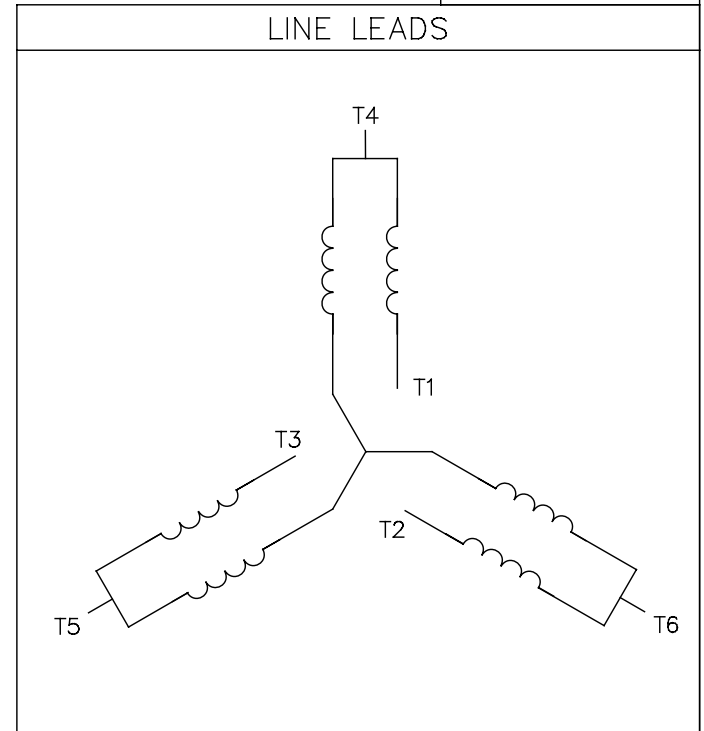
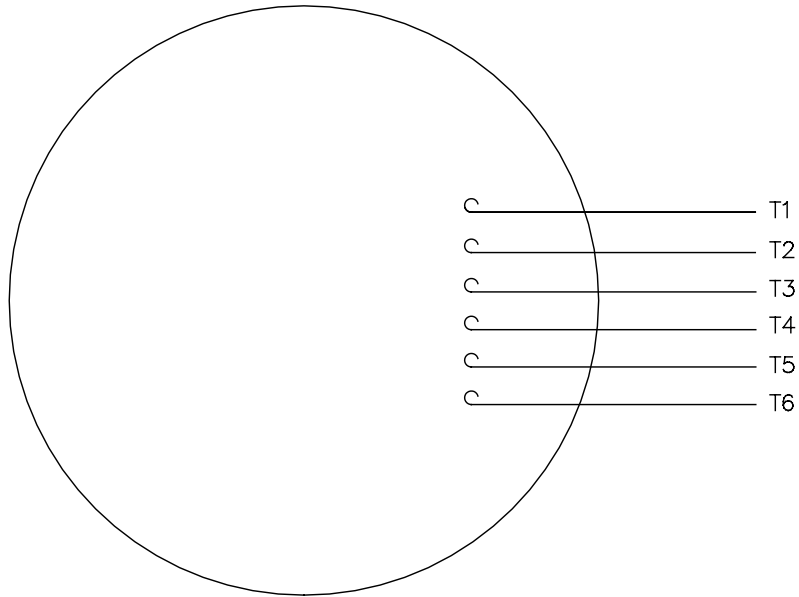
Electrical Type	Squirrel Cage Induction Run	Starting Method	Across The Line
Poles	4	Rotation	Reversible
Mounting	Rigid base	Motor Orientation	HORIZONTAL
Drive End Bearing	BALL	Opp Drive End Bearing	BALL
Frame Material	Rolled Steel	Shaft Type	T
Overall Length	17.71 in	Frame Length	11.00 in
Shaft Diameter	1.375 in	Shaft Extension	3.38 in
Assembly/Box Mounting	F1/F2 CAPABLE		
Outline Drawing	OL140447	Connection Diagram	005200.01



				TOLERANCES UNLESS OTHERWISE SPECIFIED			LEESON ELECTRIC CORPORATION			
				DEC.	INCHES	METRIC				
02	UPDATED PER MT2 CONVERSION	LST 6/9/10		.X	±.1	±2.5	DRAWN RDW 05/09/00	TITLE OUTLINE - L215T FRAME		
01	REMOVED "LEESON" FROM CONDUIT BOX COVER	BPW 05/16/01		.XX	±.03	±.76	APPR. DWF 05/09/00	TEFC - RIGID MOUNT		
	EFF. 07/31/01			.XXX	±.005	±.127	R.F.P. 05/09/00	MAT'L.		
NO.	REVISION	BY & DATE	CH'KD.	.XXXX	±.0005	±.0127	SCALE 3=8	NLV		
THIS DRAWING IN DESIGN AND DETAIL IS OUR PROPERTY AND MUST NOT BE USED EXCEPT IN CONNECTION WITH OUR WORK. ALL RIGHTS OF DESIGN AND INVENTION ARE RESERVED. THIS IS AN ELECTRONICALLY GENERATED DOCUMENT - DO NOT SCALE THIS PRINT.				FRACTIONS	±1/64	REF.	037511	FINISH STANDARD	REV. 02	DRAWING NO. OL140447
				ANGLES	±1/2°	FMF				

005200-01

VIEW FROM OUTSIDE OF MOTOR AT SWITCH END.



SPEED	L1	L2	L3	JOIN	SEPARATE
HIGH	T6	T4	T5	(T1,T2,T3)	
LOW	T1	T2	T3		(T4)(T5) (T6)

				TOLERANCES UNLESS OTHERWISE SPECIFIED		Regal Beloit America, Inc.				
				DECIMALS						
				.00	± .01	DRAWN PG 08/08/83	TITLE EXTERNAL WIRING DIAGRAM TYPE "T" W/O PROTECTOR			
04	SPEED WAS VOLTAGE	EPB	1/17/00	.000	± .005	CH'K'D. DLL 08/09/83				
03	REDRAWN TO CURRENT STANDARDS	DBT	05/30/97	.0000	± .0005	APPR. KG 08/09/83	MAT'L. DECAL - 004183/080066 2 SPEED 1 WDG. VARIABLE TORQUE MOTOR			
NO.	REVISION	BY	DATE	FRACTIONS	± 1/64	SCALE 1=1				
THIS DRAWING IN DESIGN AND DETAIL IS OUR PROPERTY AND MUST NOT BE USED EXCEPT IN CONNECTION WITH OUR WORK ALL RIGHTS OF DESIGN AND INVENTION ARE RESERVED				ANGLES		± 1/2°	REF. 080066	FINISH	SIZE	DRAWING NO.
				INCH/MM			FMF 83648D1		A	005200-01

