

PRODUCT INFORMATION PACKET



Model No: C4C34NB2E

Catalog No: 100362.00

1/3HP..3450RPM.48.TENV.115/208-230V.1PH.60HZ.CONT.NOT.40C.1.0SF.RIGID.GENERAL
PURPOSE.C4C34NB2E

Totally Enclosed Non-Ventilated (TENV)



Regal and Leeson are trademarks of Regal Beloit Corporation or one of its affiliated companies.

©2018 Regal Beloit Corporation, All Rights Reserved. MC017097E





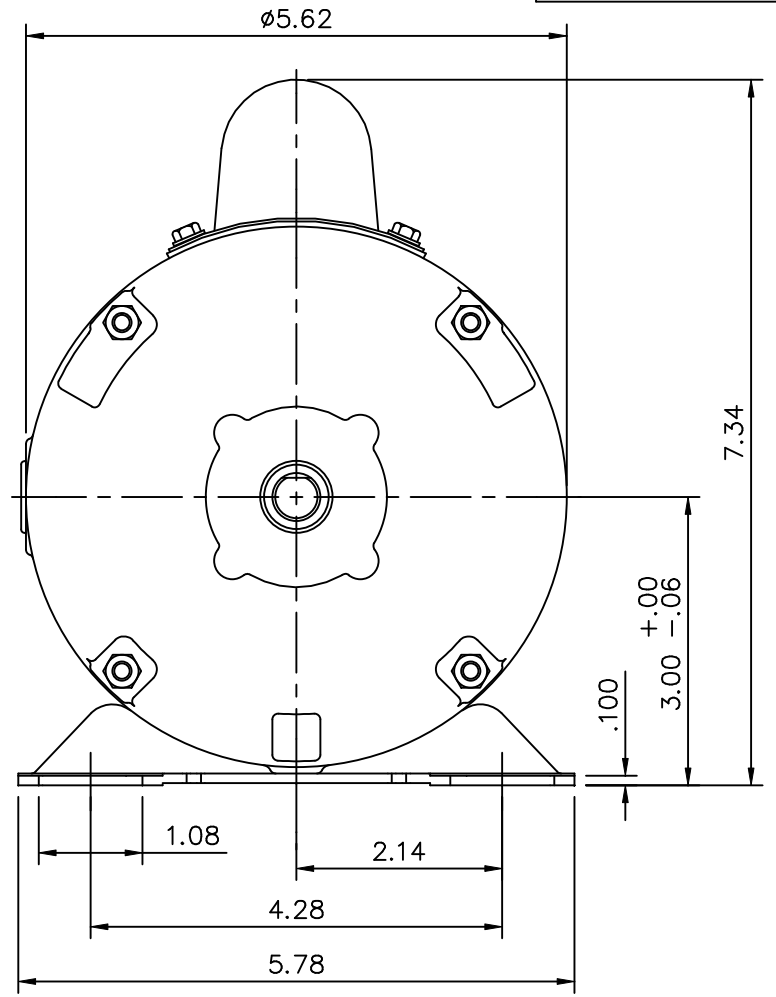
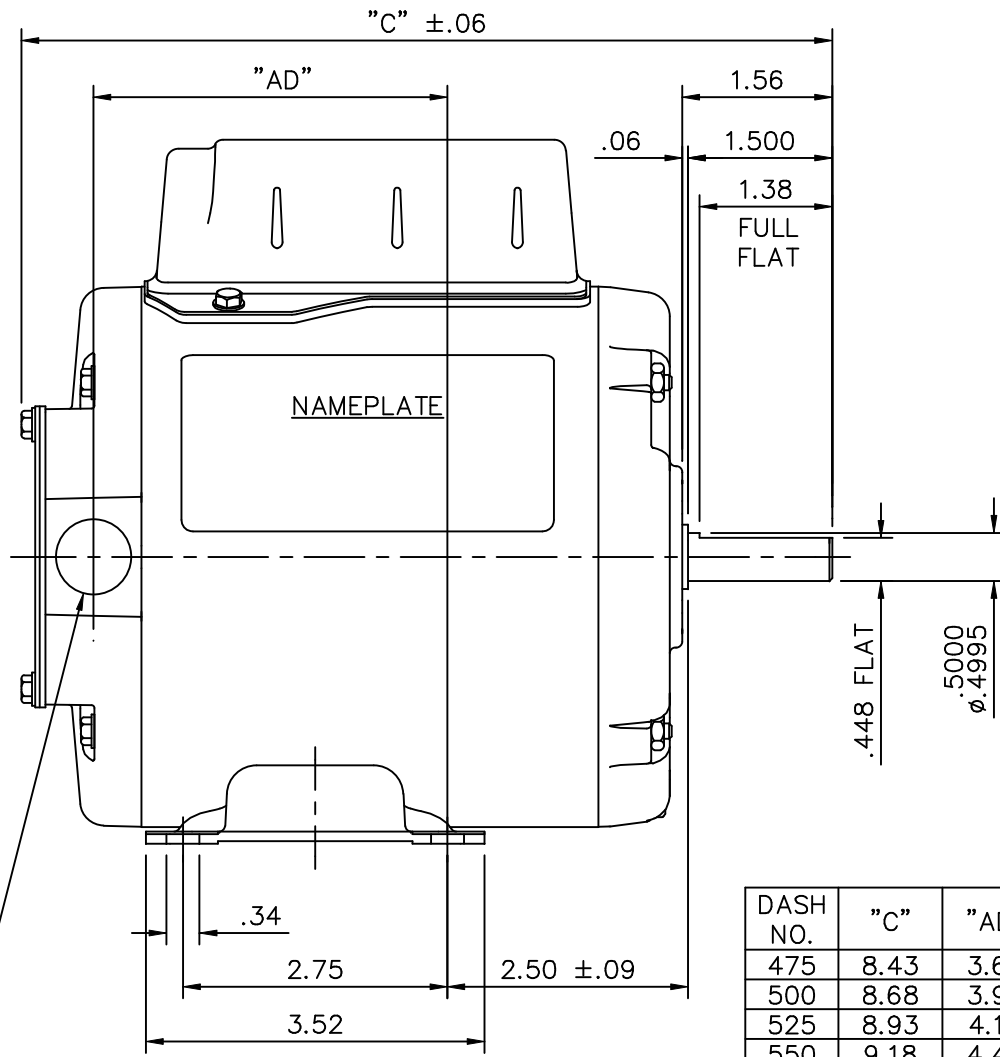
Nameplate Specifications

Output HP	0.33 Hp	Output KW	0.25 kW
Frequency	60 Hz	Voltage	115/208-230 V
Current	4.0/2.0 A	Speed	3450 rpm
Service Factor	1	Phase	1
Efficiency	69 %	Duty	Continuous
Insulation Class	B	Design Code	N
KVA Code	L	Frame	48
Enclosure	Totally Enclosed Non Ventilated	Overload Protector	No
Ambient Temperature	40 °C	Drive End Bearing Size	6203
Opp Drive End Bearing Size	6203	UL	Recognized
CSA	Y	CE	N
IP Code	43		

Technical Specifications

Electrical Type	Capacitor Start Induction Run	Starting Method	Across The Line
Poles	2	Rotation	Selective Counterclockwise
Mounting	Rigid base	Motor Orientation	HORIZONTAL
Drive End Bearing	BALL	Opp Drive End Bearing	BALL
Frame Material	Rolled Steel	Shaft Type	T
Overall Length	9.93 in	Frame Length	6.25 in
Shaft Diameter	0.500 in	Shaft Extension	1.5 in
Assembly/Box Mounting	F1 ONLY		
Outline Drawing	031714-625	Connection Diagram	005005.44


031714



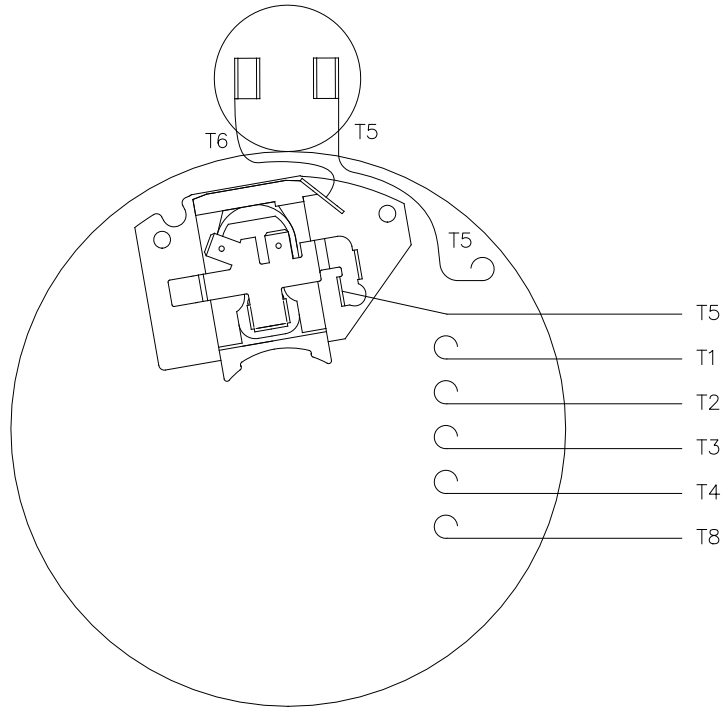
DASH NO.	"C"	"AD"
475	8.43	3.68
500	8.68	3.93
525	8.93	4.18
550	9.18	4.43
575	9.43	4.68
600	9.68	4.93
625	9.93	5.18
650	10.18	5.43
675	10.43	5.68

1/2-14 NPT
CONDUIT HOLE
(PLUGGED)

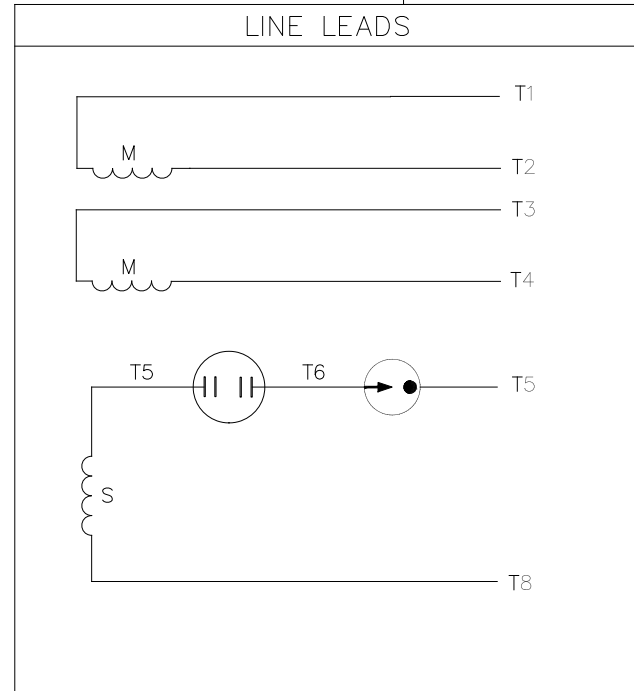
GASKETS THROUGHOUT

				TOLERANCES UNLESS SPECIFIED		 ELECTRIC MOTORS GEARMOTORS AND DRIVES		DRAWN PG 10/3/02	
				DEC. INCHES				CHK	
				.X ±.1				APPD	
				.XX ±.03				SCALE 1=2	
				.XXX ±.005				REF 031086	
				.XXXX ±.0005		TITLE		OUTLINE - 48 FRAME RIGID MOUNT - ENCLOSED	
				ANG ±1/2"		MAT'L.		1 PHASE	
NO. REVISION				BY & DATE		FINISH		FMF 100361.00	
THIS DRAWING IN DESIGN AND DETAIL IS OUR PROPERTY AND MUST NOT BE USED EXCEPT IN CONNECTION WITH OUR WORK ALL RIGHTS OF DESIGN AND INVENTION ARE RESERVED THIS IS AN ELECTRONICALLY GENERATED DOCUMENT - DO NOT SCALE THIS PRINT				RFP		CAD FILE 031714		SIZE DRAWING NO.	
				DIST		A		031714	
								REV.	


005005-44



VIEW FROM OUTSIDE OF MOTOR AT SWITCH END



	ROTATION FACING LEAD END	L1	L2	JOIN
HIGH VOLT	C.C.W.	T1	T4, T5	T2, T3, T8
	C.W.	T1	T4, T8	T2, T3, T5
LOW VOLT	C.C.W.	T1, T3, T8	T2, T4, T5	
	C.W.	T1, T3, T5	T2, T4, T8	

				TOLERANCES UNLESS OTHERWISE SPECIFIED			 Regal Beloit America, Inc.		
				DEC.	INCHES	METRIC			
				.X	±.1	±2.5	DRAWN PG 5/7/01	TITLE EXTERNAL WIRING DIAGRAM TYPE "C" W/O PROTECTOR	
				.XX	±.01	±.25	APPR.	MAT'L. DUAL VOLTAGE - DUAL ROTATION	
01	MOVED T5 TO "INSIDE" SWITCH TERMINAL	PG 8/2/01		.XXX	±.005	±.127	R.F.P.		
NO.	REVISION	BY & DATE	CH'K'D.	.XXXX	±.0005	±.0127	SCALE 5=8		
THIS DRAWING IN DESIGN AND DETAIL IS OUR PROPERTY AND MUST NOT BE USED EXCEPT IN CONNECTION WITH OUR WORK ALL RIGHTS OF DESIGN AND INVENTION ARE RESERVED THIS IS AN ELECTRONICALLY GENERATED DOCUMENT - DO NOT SCALE THIS PRINT				FRACTIONS	±1/64		REF. 005005-01	FINISH	REV. 01
				ANGLES	±1/2'		FMF 100006		DRAWING NO. 005005-44

