

# PRODUCT INFORMATION PACKET



Model No: C4C34NC15B

Catalog No: 102873.00

1/3HP..3450RPM.56.TENV.115/208-230V.1PH.60HZ.CONT.NOT.40C.1.0SF.ROUND.S56C Platform  
Model.C4C34NC15B

Totally Enclosed Non-Ventilated (TENV)



Regal and Leeson are trademarks of Regal Beloit Corporation or one of its affiliated companies.

©2018 Regal Beloit Corporation, All Rights Reserved. MC017097E





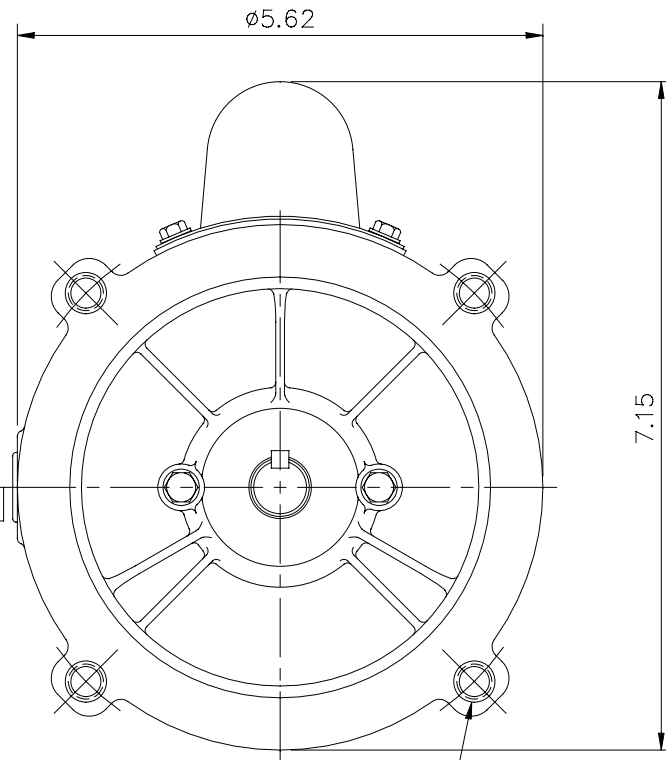
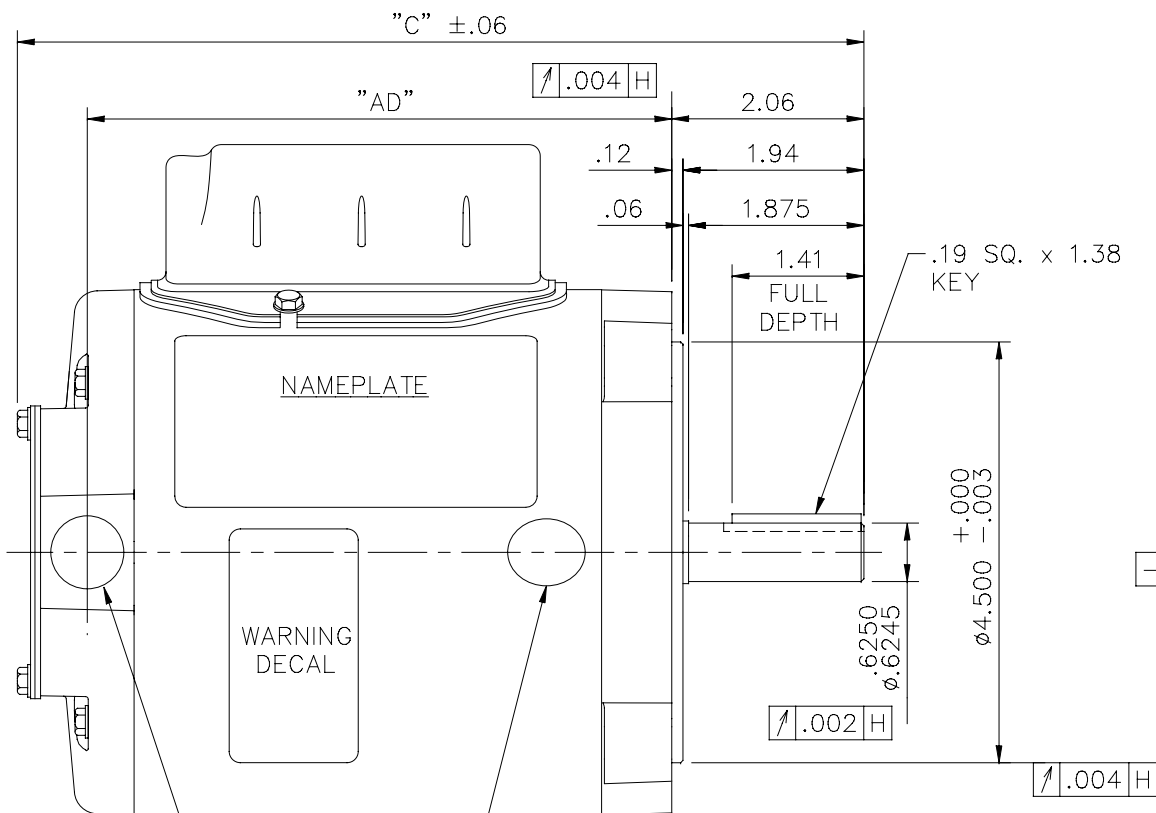
### Nameplate Specifications

Output HP	<b>0.33 Hp</b>	Output KW	<b>0.25 kW</b>
Frequency	<b>60 Hz</b>	Voltage	<b>115/208-230 V</b>
Current	<b>3.8/2.0-1.9 A</b>	Speed	<b>3450 rpm</b>
Service Factor	<b>1</b>	Phase	<b>1</b>
Efficiency	<b>74 %</b>	Duty	<b>Continuous</b>
Insulation Class	<b>B</b>	Design Code	<b>N</b>
KVA Code	<b>K</b>	Frame	<b>56C</b>
Enclosure	<b>Totally Enclosed Non Ventilated</b>	Overload Protector	<b>No</b>
Ambient Temperature	<b>40 °C</b>	Drive End Bearing Size	<b>6203</b>
Opp Drive End Bearing Size	<b>6203</b>	UL	<b>Recognized</b>
CSA	<b>Y</b>	CE	<b>N</b>
IP Code	<b>43</b>		

### Technical Specifications

Electrical Type	<b>Capacitor Start Induction Run</b>	Starting Method	<b>Across The Line</b>
Poles	<b>2</b>	Rotation	<b>Selective Counterclockwise</b>
Mounting	<b>Round</b>	Motor Orientation	<b>HORIZONTAL</b>
Drive End Bearing	<b>BALL</b>	Opp Drive End Bearing	<b>BALL</b>
Frame Material	<b>Rolled Steel</b>	Shaft Type	<b>T</b>
Overall Length	<b>9.30 in</b>	Frame Length	<b>5.25 in</b>
Shaft Diameter	<b>0.625 in</b>	Shaft Extension	<b>1.88 in</b>
Assembly/Box Mounting	<b>F1 ONLY</b>		
Outline Drawing	<b>031754-525</b>	Connection Diagram	<b>005005.44</b>

031754




1/2-14 NPT  
CONDUIT HOLE  
(PLUGGED)

EFF. DECAL  
(WHEN REQUIRED)

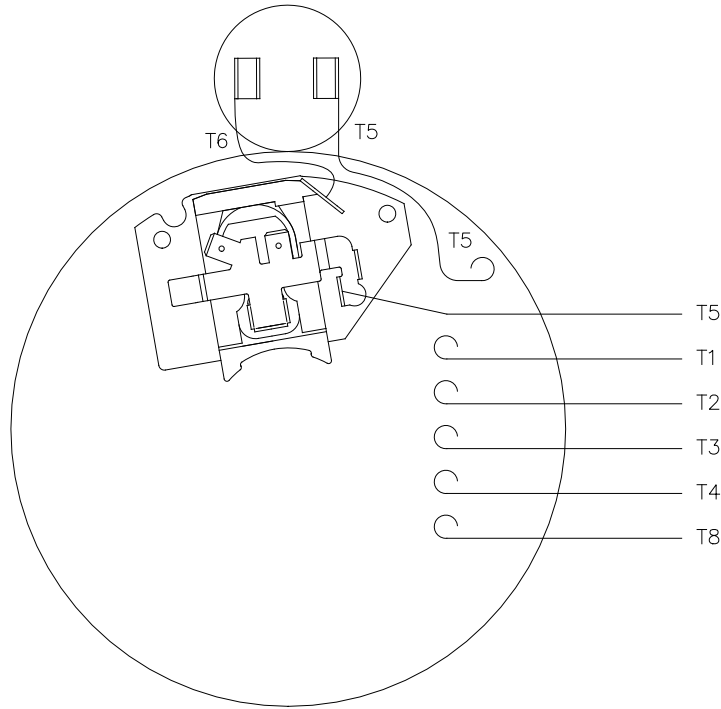
GASKETS THROUGHOUT

DASH NO.	"C"	"AD"
475	8.80	6.00
500	9.05	6.25
525	9.30	6.50
550	9.55	6.75
575	9.80	7.00
600	10.05	7.25
625	10.30	7.50
650	10.55	7.75
675	10.80	8.00
700	11.05	8.25

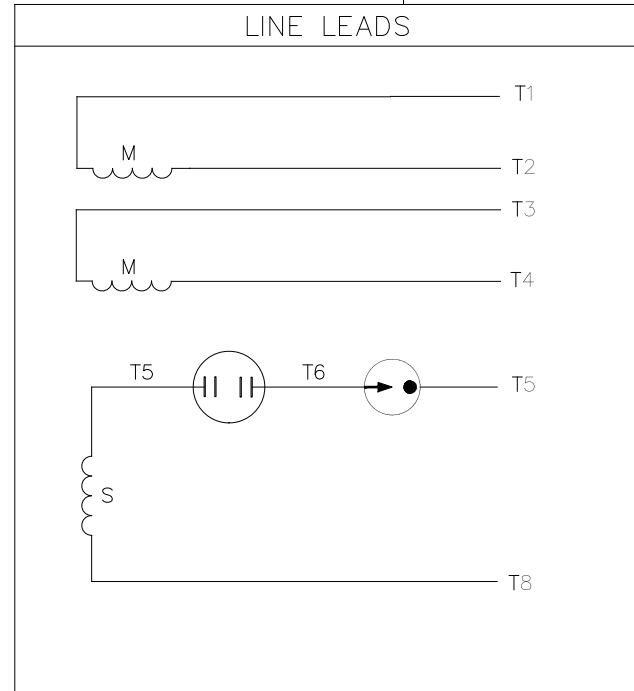
3/8-16 UNC 2B TAP x .56 DEEP  
(4) REQ'D. ON A 5.875 B.C.

				TOLERANCES UNLESS SPECIFIED		 ELECTRIC MOTORS GEARMOTORS AND DRIVES		DRAWN PG 10/27/03			
				DEC.	INCHES			CHK			
				.X	±.1	APPD					
				.XX	±.03	TITLE		SCALE	1=2		
				.XXX	±.005	OUTLINE - S56C FRAME "C" FACE MOUNT - ENCLOSED		REF	031727		
A	UPDATED WITH CAP BOX, WARNING DECAL & EFF DECAL	SL	10/08/15	VS	.XXXX	±.0005	MAT'L.	1 PHASE	FMF	110405.00	
NO.	REVISION	BY & DATE	CHK	ANG	±1/2"	FINISH	STANDARD	PREV			
THIS DRAWING IN DESIGN AND DETAIL IS OUR PROPERTY AND MUST NOT BE USED EXCEPT IN CONNECTION WITH OUR WORK ALL RIGHTS OF DESIGN AND INVENTION ARE RESERVED THIS IS AN ELECTRONICALLY GENERATED DOCUMENT - DO NOT SCALE THIS PRINT				RFP	CAD FILE			031754	SIZE	DRAWING NO.	REV.
				DIST				A	031754		


005005-44



VIEW FROM OUTSIDE OF MOTOR AT SWITCH END



	ROTATION FACING LEAD END	L1	L2	JOIN
HIGH VOLT	C.C.W.	T1	T4, T5	T2, T3 T8
	C.W.	T1	T4, T8	T2, T3 T5
LOW VOLT	C.C.W.	T1 T3, T8	T2, T4 T5	
	C.W.	T1 T3, T5	T2, T4 T8	

				TOLERANCES UNLESS OTHERWISE SPECIFIED			 <b>Regal Beloit America, Inc.</b>		
				DEC.	INCHES	METRIC			
				.X	±.1	±2.5	DRAWN PG 5/7/01	TITLE EXTERNAL WIRING DIAGRAM TYPE "C" W/O PROTECTOR	
				.XX	±.01	±.25	APPR.	MAT'L. DUAL VOLTAGE - DUAL ROTATION	
01	MOVED T5 TO "INSIDE" SWITCH TERMINAL	PG 8/2/01		.XXX	±.005	±.127	R.F.P.		
NO.	REVISION	BY & DATE	CH'K'D.	.XXXX	±.0005	±.0127	SCALE 5=8		
THIS DRAWING IN DESIGN AND DETAIL IS OUR PROPERTY AND MUST NOT BE USED EXCEPT IN CONNECTION WITH OUR WORK ALL RIGHTS OF DESIGN AND INVENTION ARE RESERVED THIS IS AN ELECTRONICALLY GENERATED DOCUMENT - DO NOT SCALE THIS PRINT				FRACTIONS	±1/64		REF. 005005-01	FINISH	REV. 01
				ANGLES	±1/2'		FMF 100006		DRAWING NO. 005005-44



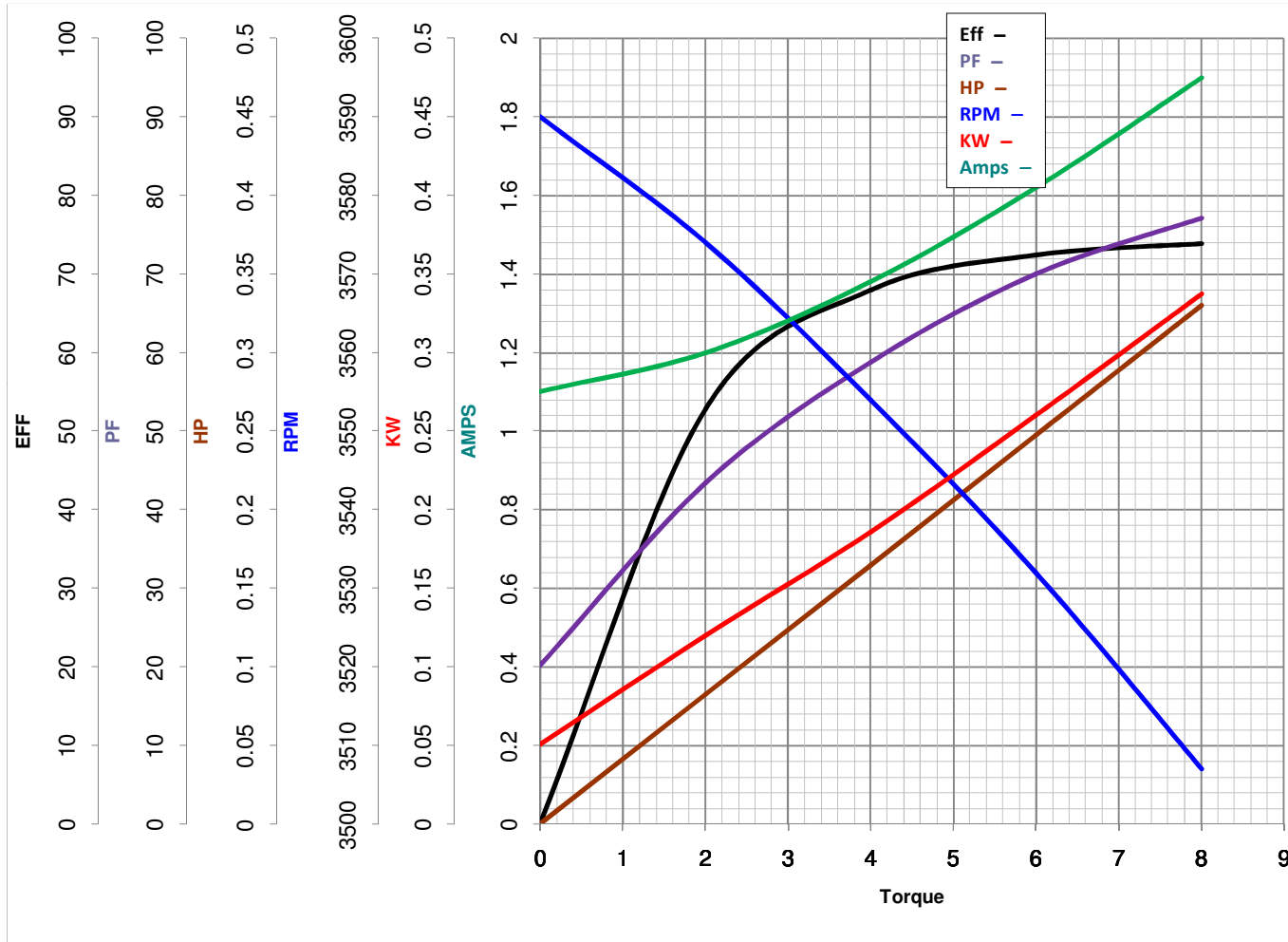
**LEESON ELECTRIC CORPORATION**  
 TYPICAL PERFORMANCE CURVE for AC MOTOR

Model No 102873.00

Catalog No 102873.00

Curve at 230 Volts      HP 0.34      PHASE 1  
60 HZ  
0.33 HP      VOLTS 115/208-230

HZ 60      RPM 3450



Torque in Oz.Ft

FL TORQUE 8 Oz.Ft  
 BD TORQUE 22.0 Oz.Ft  
 LR TORQUE 31.2 Oz.Ft

FL AMPS 3.8/2-1.9  
 PU TORQUE 21.4 Oz.Ft  
 LR AMPS 12.55

WINDING CE482278-3

Date 3/22/2018