

# PRODUCT INFORMATION PACKET



Model No: C4D17FZ23C  
Catalog No: 108707.00  
..1/2HP..18RPM.P1103-48.TEFC.90V..DC.....C4D17FZ23C.P1100...95:1.DC  
GEARMOTORS..1112LBIN..TRIPLE....  
P1100 Series



Regal and Leeson are trademarks of Regal Beloit Corporation or one of its affiliated companies.  
©2018 Regal Beloit Corporation, All Rights Reserved. MC017097E





### Nameplate Specifications

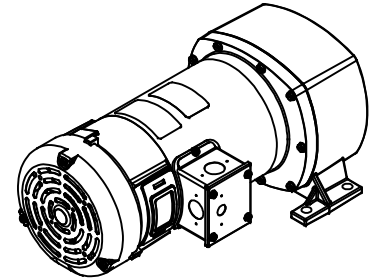
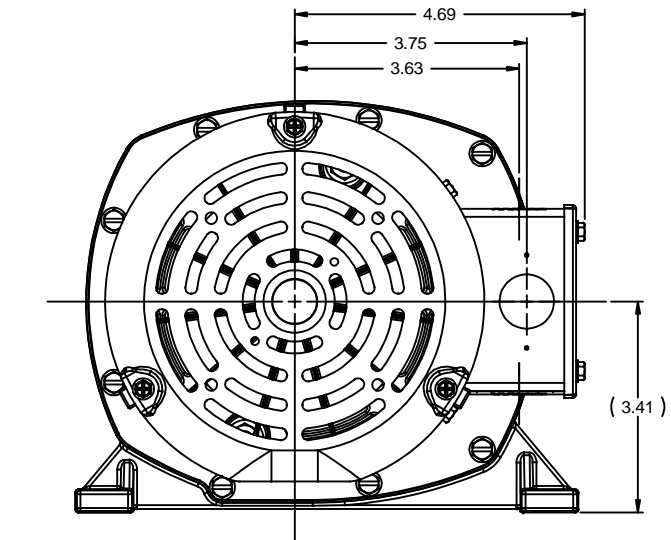
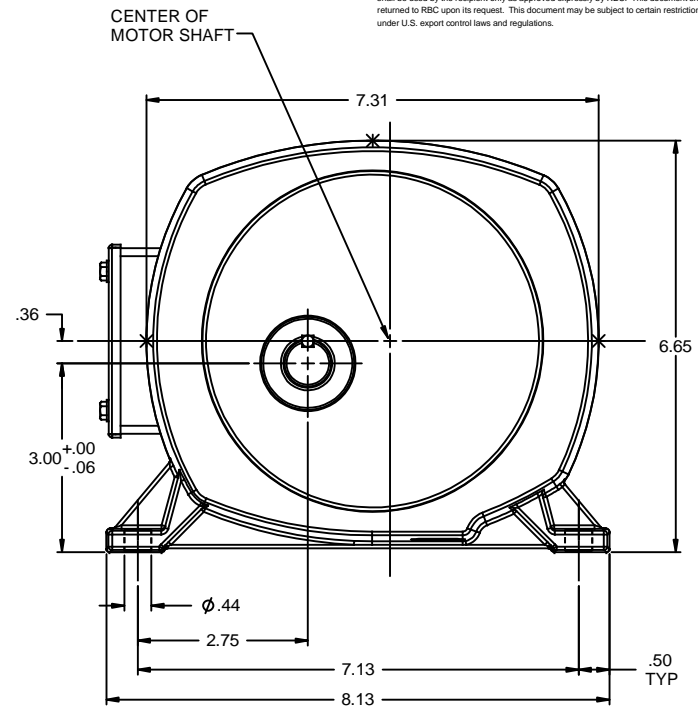
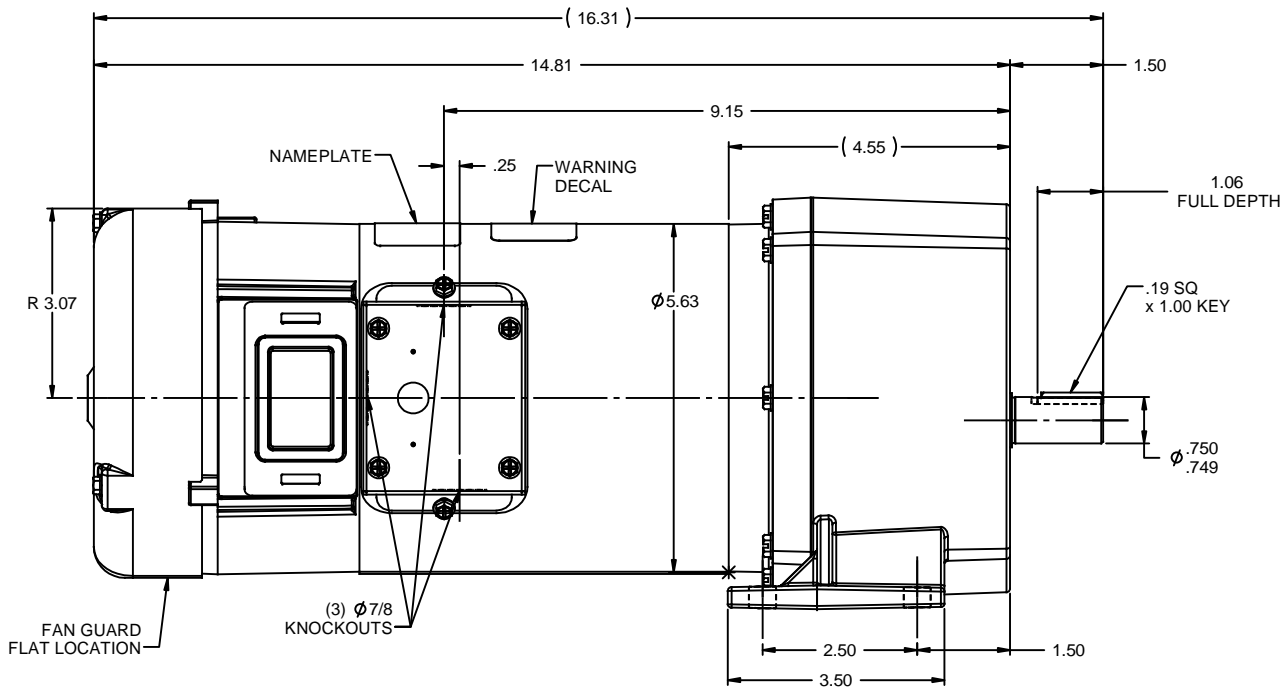
Output HP	<b>0.50 Hp</b>	Output KW	<b>0.37 kW</b>
Voltage	<b>90 V</b>	Current	<b>5.0 A</b>
Speed	<b>18 rpm</b>	Service Factor	<b>1</b>
Efficiency	<b>66.9 %</b>	Duty	<b>Continuous</b>
Insulation Class	<b>F</b>	Frame	<b>48Y</b>
Enclosure	<b>Totally Enclosed Fan Cooled</b>	Overload Protector	<b>No</b>
Ambient Temperature	<b>40 °C</b>	Drive End Bearing Size	<b>6203</b>
Opp Drive End Bearing Size	<b>6203</b>	UL	<b>Recognized</b>
CSA	<b>Y</b>	CE	<b>N</b>

### Technical Specifications

Rotation	<b>Reversible</b>	Mounting	<b>Special</b>
Shaft Type	<b>Parallel</b>	Overall Length	<b>16.31 in</b>
Frame Length	<b>5.97 in</b>	Shaft Diameter	<b>0.750 in</b>
Shaft Extension	<b>1.5 in</b>		
Outline Drawing	<b>032031-108707</b>	Connection Diagram	<b>NONE</b>

This is an uncontrolled document once printed or downloaded and is subject to change without notice. Date Created: 10/15/2018

RBC PROPRIETARY AND CONFIDENTIAL INFORMATION  
 This document is the property of REGAL BELOIT CORPORATION ("RBC") including its subsidiaries and divisions and contains proprietary information of RBC. This document is loaned on the express condition that neither it nor the information contained therein shall be disclosed to others without the express written consent of RBC, and that the information shall be used by the recipient only as approved expressly by RBC. This document shall be returned to RBC upon its request. This document may be subject to certain restrictions under U.S. export control laws and regulations.



NOTES:  
 1) GEARBOX OIL: MOBIL-MOBIL GEAR 600XP-320

108712.00	90	1/2	13:1	135	210
108711.00	90	1/2	19:1	92	320
108710.00	90	1/2	29:1	60	476
108709.00	90	1/2	42:1	42	705
108708.00	90	1/2	53:1	33	822
108707.00	90	1/2	95:1	18	1112
CATALOG No.	VOLTS	INPUT HP	GEAR RATIO	RPM	F.L. TORQUE (LB-IN)

TOLERANCES UNLESS SPECIFIED			ELECTRIC MOTORS GEARMOTORS AND DRIVES		DRAWN
DEC	INCHES			IPG 6/2/10	CHK
X	±.1			APPR	PG 6/2/10
.XX	±.03	TITLE		SCALE	1:2
.XXX	±.005	48 FRAME DC - P1100 GEARBOX		REF	031211
.00	RELEASED: REF. 031211 & 031879	IPG	6/2/2010	PG	XXX ±.0005
NO	REVISION	BY & DATE	CHK	ANG	±1/2°
THIRD ANGLE PROJECTION			RFP	PREV	FINISH
			NETWORK FILE NAME		032031
				SIZE	DRAWING NO
				B	032031
				REV	00