

PRODUCT INFORMATION PACKET



Model No: C4D17NZ20C

Catalog No: 108703.00

..1/4HP..42RPM.P1102-48.TENV.90V..DC.....C4D17NZ20C.P1100...42:1.DC GEARMOTORS
FHP..353LBIN..DOUBLE....

P1100 Series



Regal and Leeson are trademarks of Regal Beloit Corporation or one of its affiliated companies.

©2018 Regal Beloit Corporation, All Rights Reserved. MC017097E





Nameplate Specifications

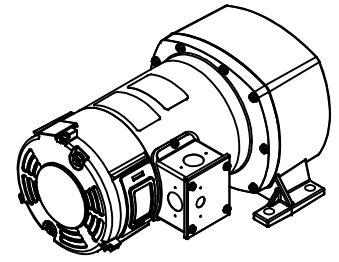
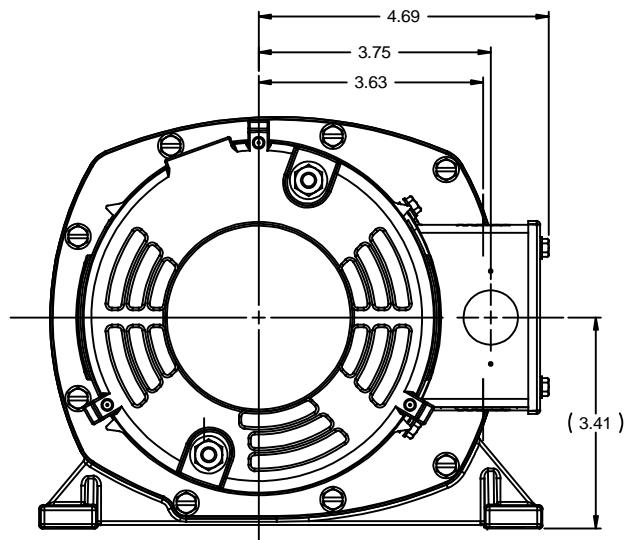
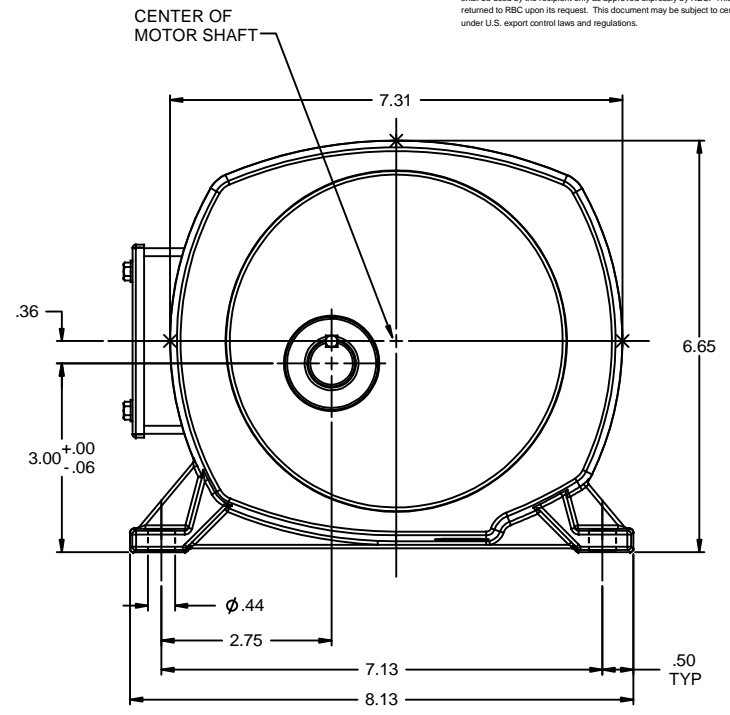
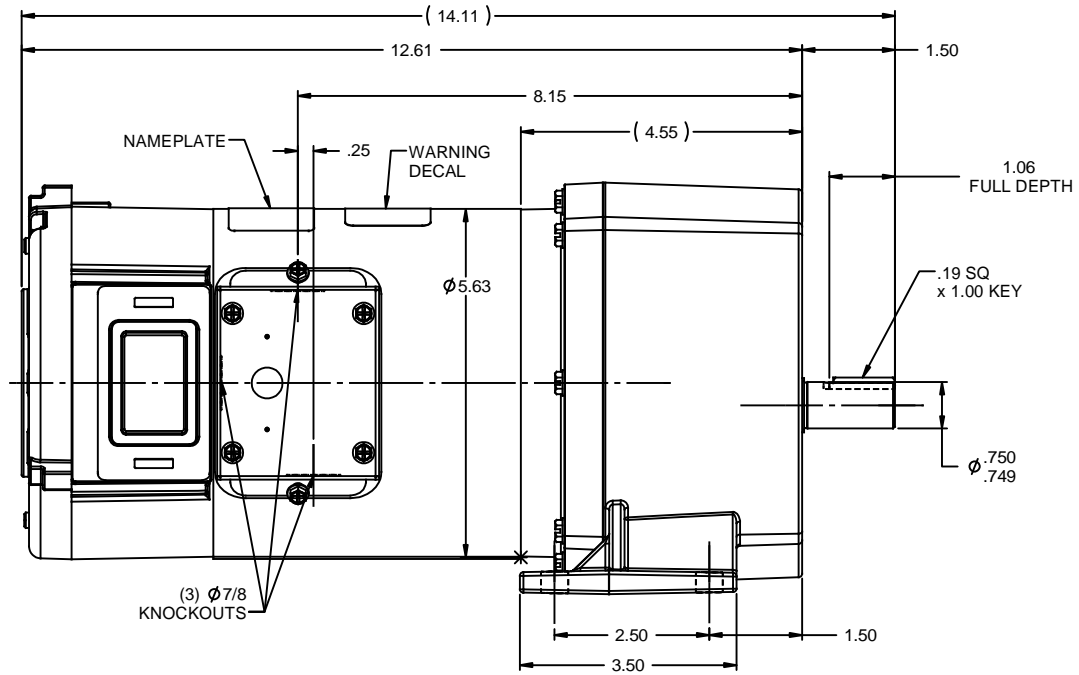
Output HP	0.25 Hp	Output KW	0.19 kW
Voltage	90 V	Current	2.7 A
Speed	42 rpm	Service Factor	1
Efficiency	64.9 %	Duty	Continuous
Insulation Class	F	Frame	48Y
Enclosure	Totally Enclosed Non Ventilated	Overload Protector	No
Ambient Temperature	40 °C	Drive End Bearing Size	6203
Opp Drive End Bearing Size	6203	UL	Recognized
CSA	Y	CE	N

Technical Specifications

Rotation	Reversible	Mounting	Special
Shaft Type	Parallel	Overall Length	14.11 in
Frame Length	4.97 in	Shaft Diameter	0.750 in
Shaft Extension	1.5 in		
Outline Drawing	032033-108703	Connection Diagram	NONE

This is an uncontrolled document once printed or downloaded and is subject to change without notice. Date Created: 10/15/2018

RBC PROPRIETARY AND CONFIDENTIAL INFORMATION
 This document is the property of REGAL BELOIT CORPORATION ("RBC") including its subsidiaries and divisions and contains proprietary information of RBC. This document is loaned on the express condition that neither it nor the information contained therein shall be disclosed to others without the express written consent of RBC, and that the information shall be used by the recipient only as approved expressly by RBC. This document shall be returned to RBC upon its request. This document may be subject to certain restrictions under U.S. export control laws and regulations.



NOTES:
 1) GEARBOX OIL: MOBIL-MOBIL GEAR 600XP-320

CATALOG No.	VOLTS	INPUT HP	GEAR RATIO	RPM	F.L. TORQUE (LB-IN)
108706.00	90	1/4	13:1	135	105
108705.00	90	1/4	19:1	92	160
108704.00	90	1/4	29:1	60	238
108703.00	90	1/4	42:1	42	353
108702.00	90	1/4	95:1	18	750
108701.00	90	1/4	143:1	12	1030
108700.00	90	1/4	212:1	8	1087

TOLERANCES UNLESS SPECIFIED		ELECTRIC MOTORS GEARMOTORS AND DRIVES		DRAWN IPG 6/9/10	
DEC	INCHES	LEESON		CHK	
x	±.1	TITLE OUTLINE 48 FRAME DC - P1100 GEARBOX		APPR	
.xx	±.03			SCALE 1:2	
.xxx	±.005			REF 031210	
RELEASED: REF. 031210 & 032031		IPG 6/9/2010	MATL	FMF 108700.00	
NO	REVISION	BY & DATE	CHK ANG ±1/2°	FINISH	PAGE OF
			RFP	PREV	
THIRD ANGLE PROJECTION			NETWORK FILE NAME 032033	SIZE B	DRAWING NO 032033
				REV	