

# PRODUCT INFORMATION PACKET



Model No: C6C17WB1L

Catalog No: 112431.00

1/2HP..1725RPM.56.TEFC./V.1PH.60HZ.CONT.NOT.40C.1.15SF.RIGID.WASHGUARD.C6C17WB1L

General Purpose



Regal and Leeson are trademarks of Regal Beloit Corporation or one of its affiliated companies.

©2018 Regal Beloit Corporation, All Rights Reserved. MC017097E



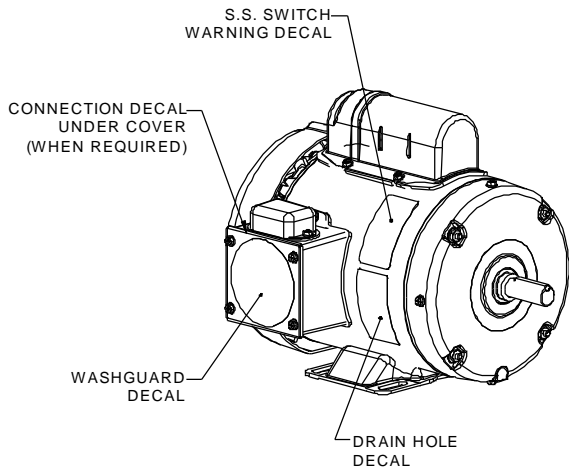
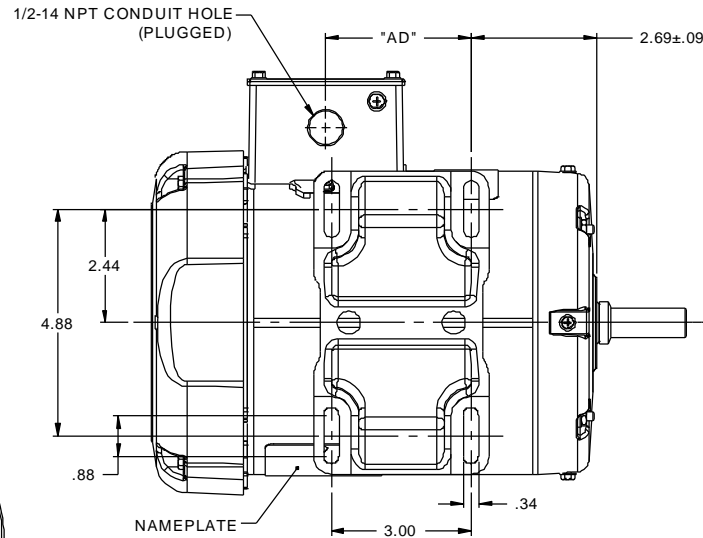
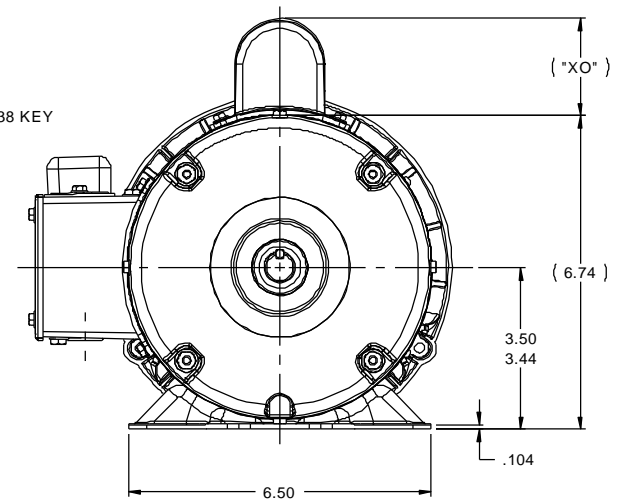
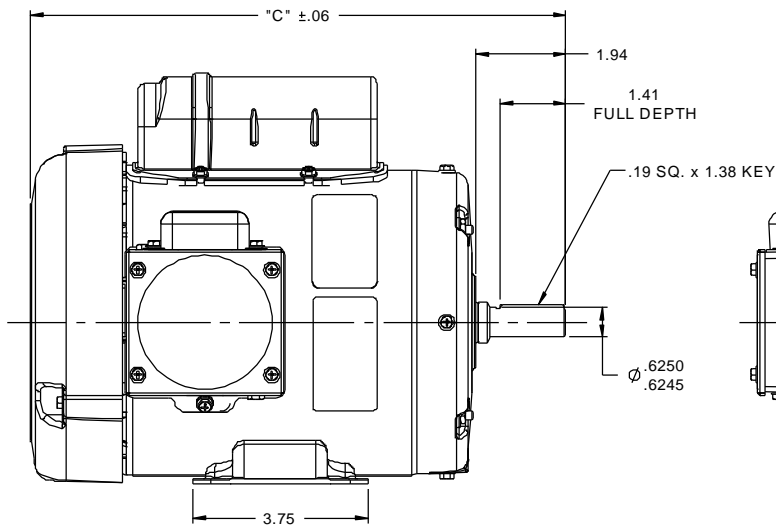
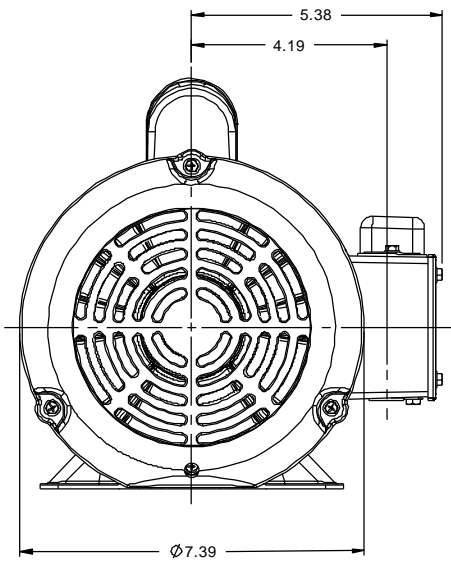


### Nameplate Specifications

Output HP	<b>0.50 Hp</b>	Output KW	<b>0.37 kW</b>
Frequency	<b>60 Hz</b>	Voltage	<b>115/208-230 V</b>
Current	<b>8.8/4.4 A</b>	Speed	<b>1725 rpm</b>
Service Factor	<b>1.15</b>	Phase	<b>1</b>
Efficiency	<b>66 %</b>	Duty	<b>Continuous</b>
Insulation Class	<b>F</b>	Design Code	<b>N</b>
KVA Code	<b>L</b>	Frame	<b>56</b>
Enclosure	<b>Totally Enclosed Fan Cooled</b>	Overload Protector	<b>No</b>
Ambient Temperature	<b>40 °C</b>	Drive End Bearing Size	<b>6205</b>
Opp Drive End Bearing Size	<b>6203</b>	UL	<b>Recognized</b>
CSA	<b>Y</b>	CE	<b>N</b>
IP Code	<b>55</b>		

### Technical Specifications

Electrical Type	<b>Capacitor Start Induction Run</b>	Starting Method	<b>Across The Line</b>
Poles	<b>4</b>	Rotation	<b>Selective Counterclockwise</b>
Mounting	<b>Rigid base</b>	Motor Orientation	<b>HORIZONTAL</b>
Drive End Bearing	<b>BALL</b>	Opp Drive End Bearing	<b>BALL</b>
Frame Material	<b>Rolled Steel</b>	Shaft Type	<b>NEMA 56</b>
Overall Length	<b>10.50 in</b>	Frame Length	<b>5.00 in</b>
Shaft Diameter	<b>0.625 in</b>	Shaft Extension	<b>1.88 in</b>
Assembly/Box Mounting	<b>F1 ONLY</b>		
Outline Drawing	<b>607-0011-500A</b>	Connection Diagram	<b>005278.07</b>



### WASHGUARD MOTOR

- SPECIAL FEATURES:
1. SHAFT SEALS & V-RING.
  2. PLUGGED DRAIN HOLES IN ENDBELLS & CONDUIT BOX.
  3. BUNA-N GASKETS THROUGHOUT.
  4. STAINLESS STEEL SHAFT, HARDWARE & NAMEPLATE.
  5. SOLID STATE SWITCH MOUNTED TO CONDUIT BOX.

DASH NO.	"C"	"AD"	"XO"
450A	10.00	1.63	2.00
475A	10.25	1.88	2.00
500A	10.50	2.13	2.00
525A	10.75	2.38	2.00
550A	11.00	2.63	2.00
575A	11.25	2.88	2.00
600A	11.50	3.13	2.00
625A	11.75	3.38	2.00
650A	12.00	3.63	2.00

DASH NO.	"C"	"AD"	"XO"
450B	10.00	1.63	2.25
475B	10.25	1.88	2.25
500B	10.50	2.13	2.25
525B	10.75	2.38	2.25
550B	11.00	2.63	2.25
575B	11.25	2.88	2.25
600B	11.50	3.13	2.25
625B	11.75	3.38	2.25
650B	12.00	3.63	2.25

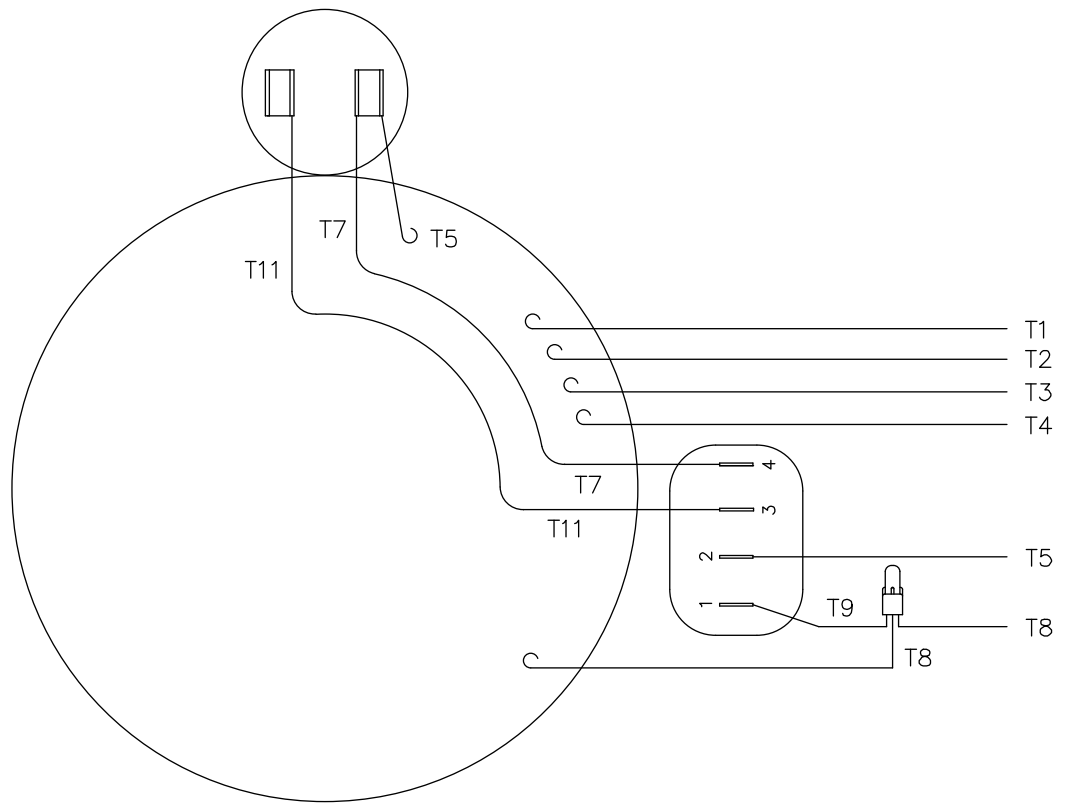
TOLERANCES UNLESS SPECIFIED	
DEC	INCHES
X	±.1
XX	±.03
XXX	±.005
XXXX	±.0005
NO	REVISION
	BY & DATE
	CHK LANG ±1/2°
	RFP
	PREV
	NETWORK FILE NAME 607-0011

**LEESON** ELECTRIC MOTORS GEARMOTORS AND DRIVES

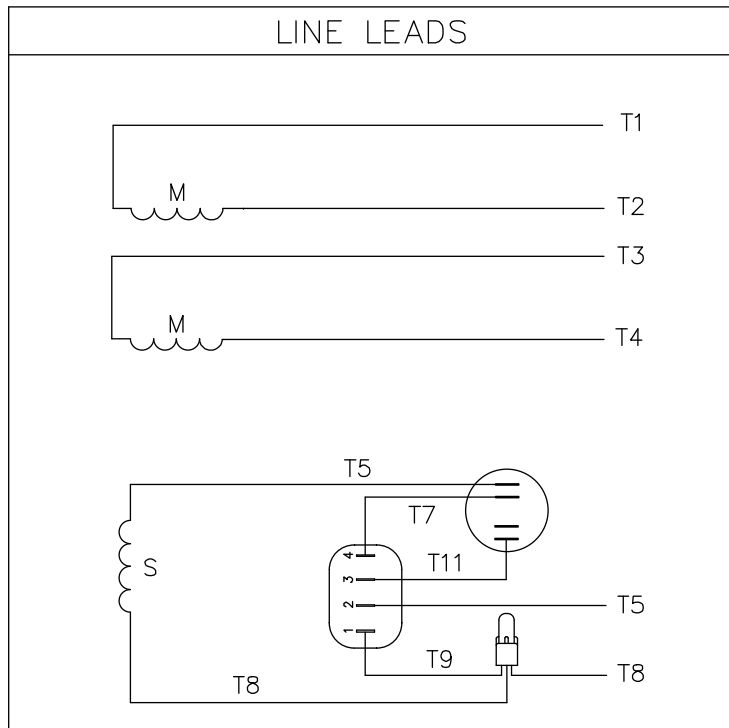
DRAWN PG 02/10/11  
CHK  
APPR  
SCALE 3:8  
REF 028880  
FMF 112431.00  
PAGE OF

TITLE OUTLINE - 56 FRAME  
TEFC - RIGID  
MAT'L WASHGUARD  
FINISH

SIZE **B** DRAWING NO **607-0011** REV



VIEW FROM OUTSIDE OF MOTOR AT SWITCH END.



	ROTATION FACING LEAD END	L1	L2	JOIN & INSULATE
HIGH VOLT	C.C.W.	T1	T4 T5	T2, T3 T8
	C.W.	T1	T4 T8	T2, T3 T5
LOW VOLT	C.C.W.	T1, T3 T8	T2, T4 T5	
	C.W.	T1, T3 T5	T2, T4 T8	

				TOLERANCES UNLESS OTHERWISE SPECIFIED		<b>LEESON</b> ELECTRIC CORPORATION				
				DECIMALS						
				.00	± .01	DRAWN	TITLE			
				.000	± .005	CH'K'D.	EXTERNAL WIRING DIAGRAM TYPE "C" W/O PROTECTOR			
01	ADDED DECAL FOR STOCK MOTORS ECR 0042509	GWS	9/10/13	.0000	± .0005	APPR.	MAT'L. DECAL - 004012			
NO.	REVISION	BY	DATE	FRACTIONS	± 1/64	SCALE	STOCK MOTORS TO USE DECAL 214-0122-001			
THIS DRAWING IN DESIGN AND DETAIL IS OUR PROPERTY AND MUST NOT BE USED EXCEPT IN CONNECTION WITH OUR WORK ALL RIGHTS OF DESIGN AND INVENTION ARE RESERVED				ANGLES	± 1/2*	REF.	FINISH		SIZE	DRAWING NO.
				INCH/MM		FMF	STANDARD		A	005278-07

