

# PRODUCT INFORMATION PACKET



Model No: C6C34NB16J

Catalog No: 111333.00

1HP..3450RPM.56.TENV.115/208-230V.1PH.60HZ.CONT.NOT.40C.1.0SF.RIGID.AG - FAN & BLOWER.C6C34NB16J

Agricultural



Regal and Leeson are trademarks of Regal Beloit Corporation or one of its affiliated companies.

©2018 Regal Beloit Corporation, All Rights Reserved. MC017097E





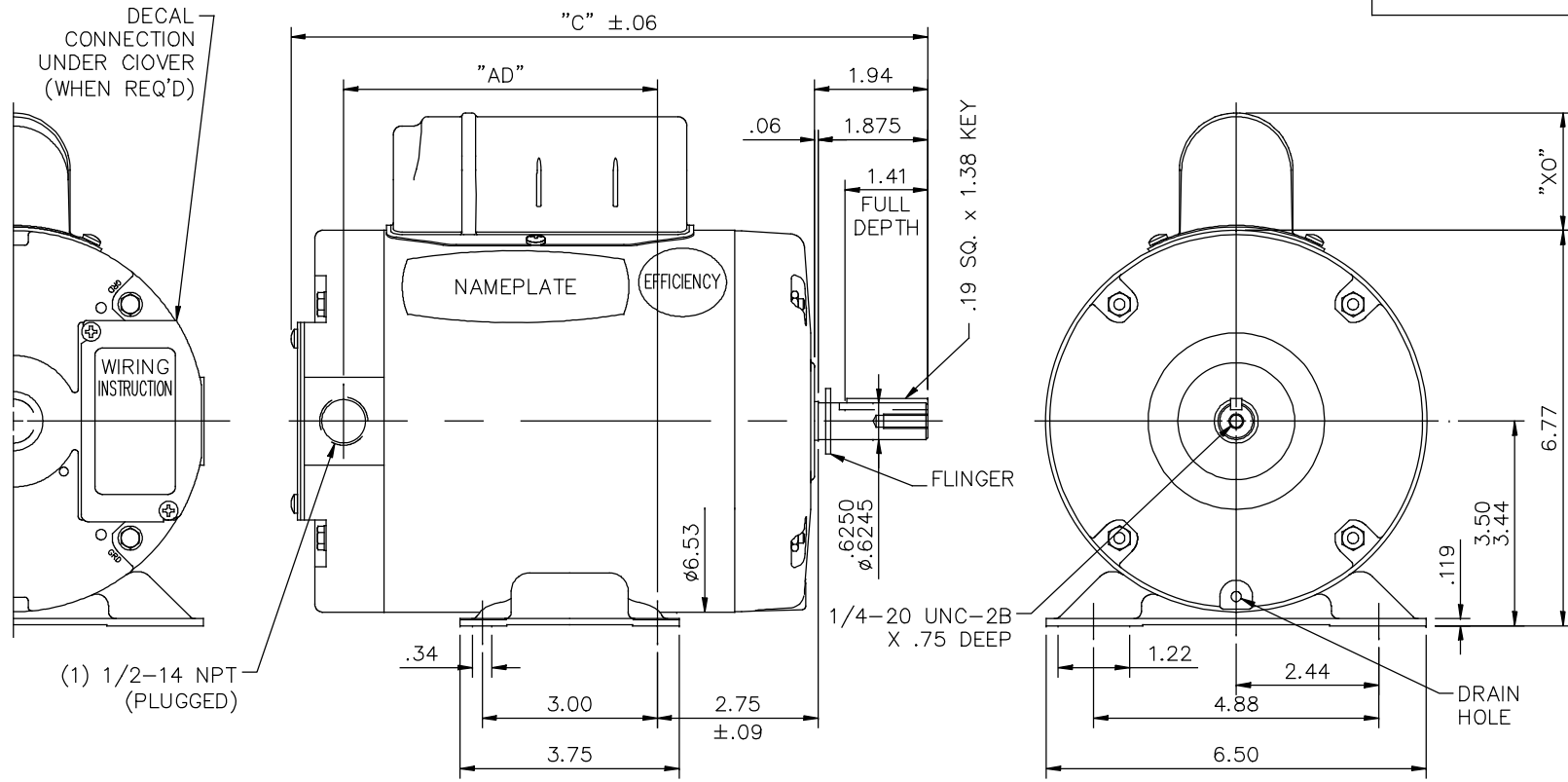
### Nameplate Specifications

Output HP	<b>1 Hp</b>	Output KW	<b>0.75 kW</b>
Frequency	<b>60 Hz</b>	Voltage	<b>115/208-230 V</b>
Current	<b>12.0/6.2-6.0 A</b>	Speed	<b>3450 rpm</b>
Service Factor	<b>1</b>	Phase	<b>1</b>
Efficiency	<b>70 %</b>	Duty	<b>Continuous</b>
Insulation Class	<b>B</b>	Design Code	<b>N</b>
KVA Code	<b>J</b>	Frame	<b>56Z</b>
Enclosure	<b>Totally Enclosed Air Over</b>	Overload Protector	<b>No</b>
Ambient Temperature	<b>40 °C</b>	Drive End Bearing Size	<b>6203</b>
Opp Drive End Bearing Size	<b>6203</b>	UL	<b>Recognized</b>
CSA	<b>Y</b>	CE	<b>N</b>
IP Code	<b>43</b>		

### Technical Specifications

Electrical Type	<b>Capacitor Start Induction Run</b>	Starting Method	<b>Across The Line</b>
Poles	<b>2</b>	Rotation	<b>Selective Counterclockwise</b>
Mounting	<b>Rigid base</b>	Motor Orientation	<b>HORIZONTAL</b>
Drive End Bearing	<b>BALL</b>	Opp Drive End Bearing	<b>BALL</b>
Frame Material	<b>Rolled Steel</b>	Shaft Type	<b>Single Special Extension</b>
Overall Length	<b>10.90 in</b>	Frame Length	<b>6.00 in</b>
Shaft Diameter	<b>0.625 in</b>	Shaft Extension	<b>1.87 in</b>
Assembly/Box Mounting	<b>F1 ONLY</b>		
Outline Drawing	<b>028597-600B</b>	Connection Diagram	<b>005005.52</b>

028597



DASH NO.	"C"	"AD"	CAP. DASH	"XO"
500	9.90	4.37	A	1.54
550	10.40	4.87	B	2.01
600	10.90	5.37	C	2.25
650	11.40	5.87		

GASKETS THROUGHOUT

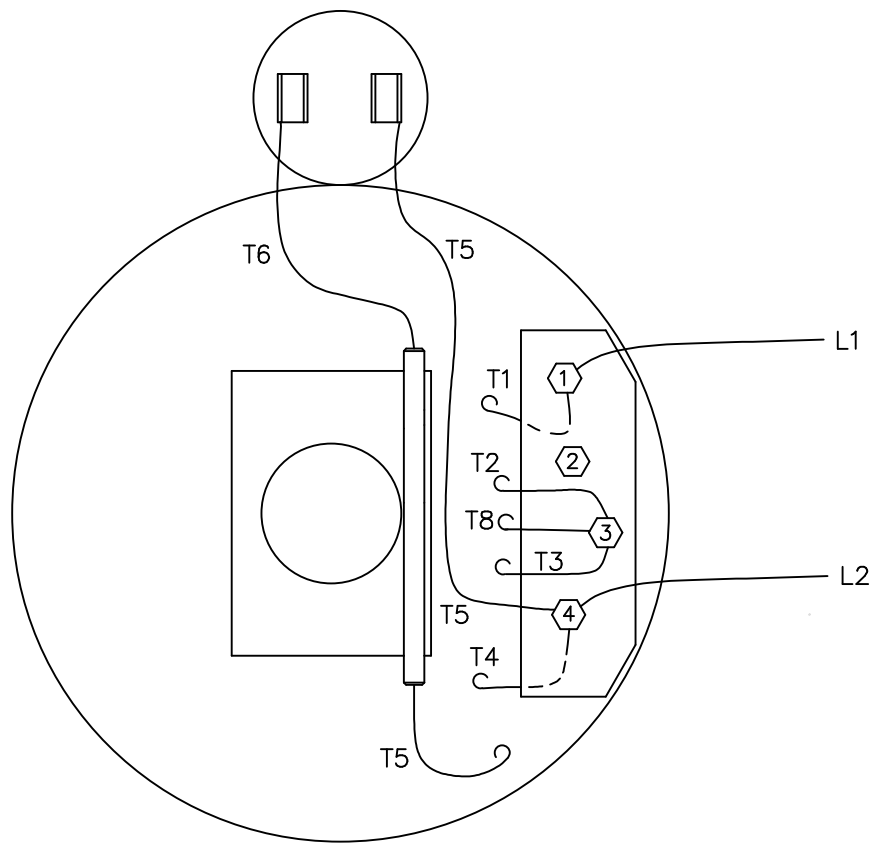
		TOLERANCES UNLESS SPECIFIED		DRAWN RDW 6/28/04	
		DEC.	INCHES	CHK	
		.X	±.1	APPD SW 6/28/04	
		.XX	±.03	SCALE 3=8	
		.XXX	±.005	REF	
A	ADDED FLINGER	DS	06/12/18	AS	.XXXX ±.0005
NO.	REVISION	BY & DATE	CHK	ANG	±1/2'
THIS DRAWING IN DESIGN AND DETAIL IS OUR PROPERTY AND MUST NOT BE USED EXCEPT IN CONNECTION WITH OUR WORK ALL RIGHTS OF DESIGN AND INVENTION ARE RESERVED THIS IS AN ELECTRONICALLY GENERATED DOCUMENT - DO NOT SCALE THIS PRINT		RFP	6/28/04	CAD FILE	028597
		DIST	BRF-NLV	SIZE	DRAWING NO. 028597
				REV.	A

**REGAL**™ Regal Beloit America, Inc.

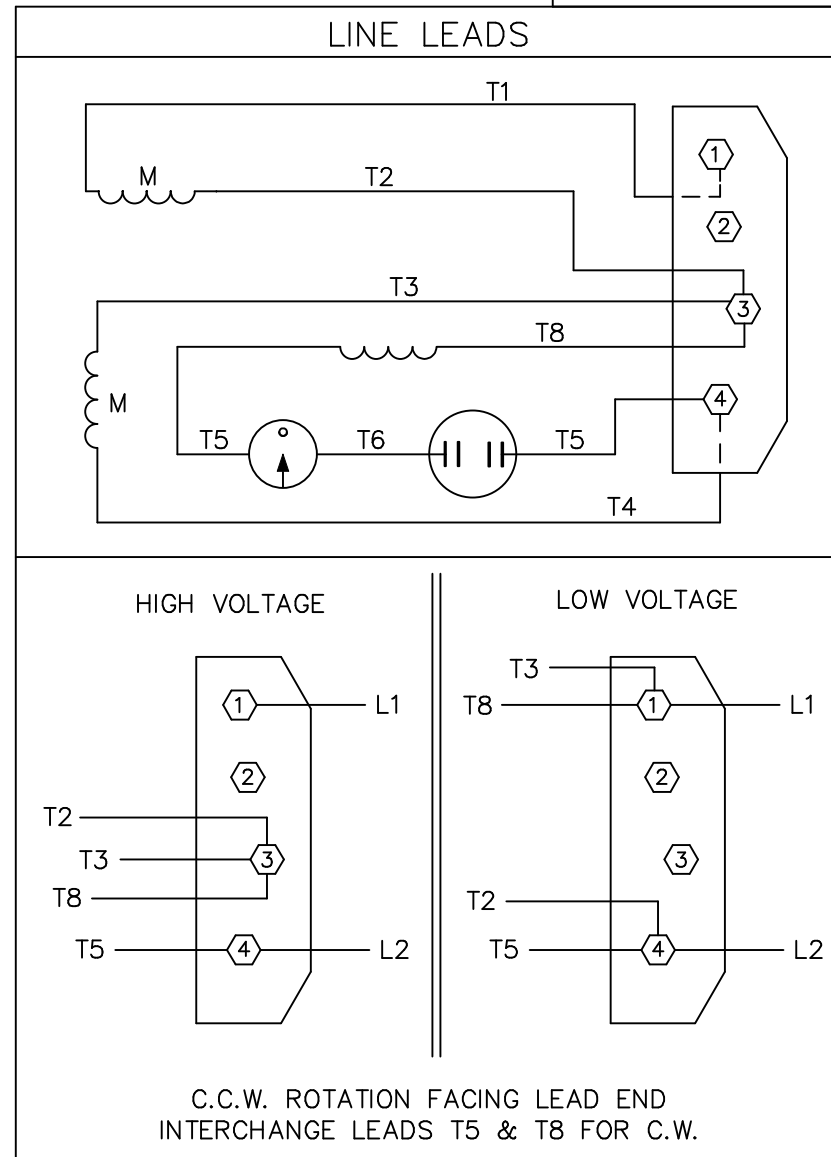
TITLE OUTLINE - 56Z FRAME  
TENV - RIGID

MAT'L. FAN DUTY


FINISH



VIEW FROM OUTSIDE OF MOTOR AT SWITCH END.



C.C.W. ROTATION FACING LEAD END  
INTERCHANGE LEADS T5 & T8 FOR C.W.

				TOLERANCES UNLESS SPECIFIED		 ELECTRIC MOTORS GEARMOTORS AND DRIVES		DRAWN PG 9/14/05	
				DEC.	INCHES			CHK	
				.X	±.1			APPD	
				.XX	±.01			SCALE 1=1	
				.XXX	±.005			REF 005005-24	
				.XXXX	±.0005	MAT'L. DECAL 081209-01		FMF 115950.00	
NO.	REVISION	BY & DATE	CHK	ANG	±1/2'	FINISH	STANDARD	PREV	
			RFP			CAD FILE	00500552	SIZE	DRAWING NO.
			DIST					A	005005-52
THIS DRAWING IN DESIGN AND DETAIL IS OUR PROPERTY AND MUST NOT BE USED EXCEPT IN CONNECTION WITH OUR WORK ALL RIGHTS OF DESIGN AND INVENTION ARE RESERVED THIS IS AN ELECTRONICALLY GENERATED DOCUMENT - DO NOT SCALE THIS PRINT								REV.	

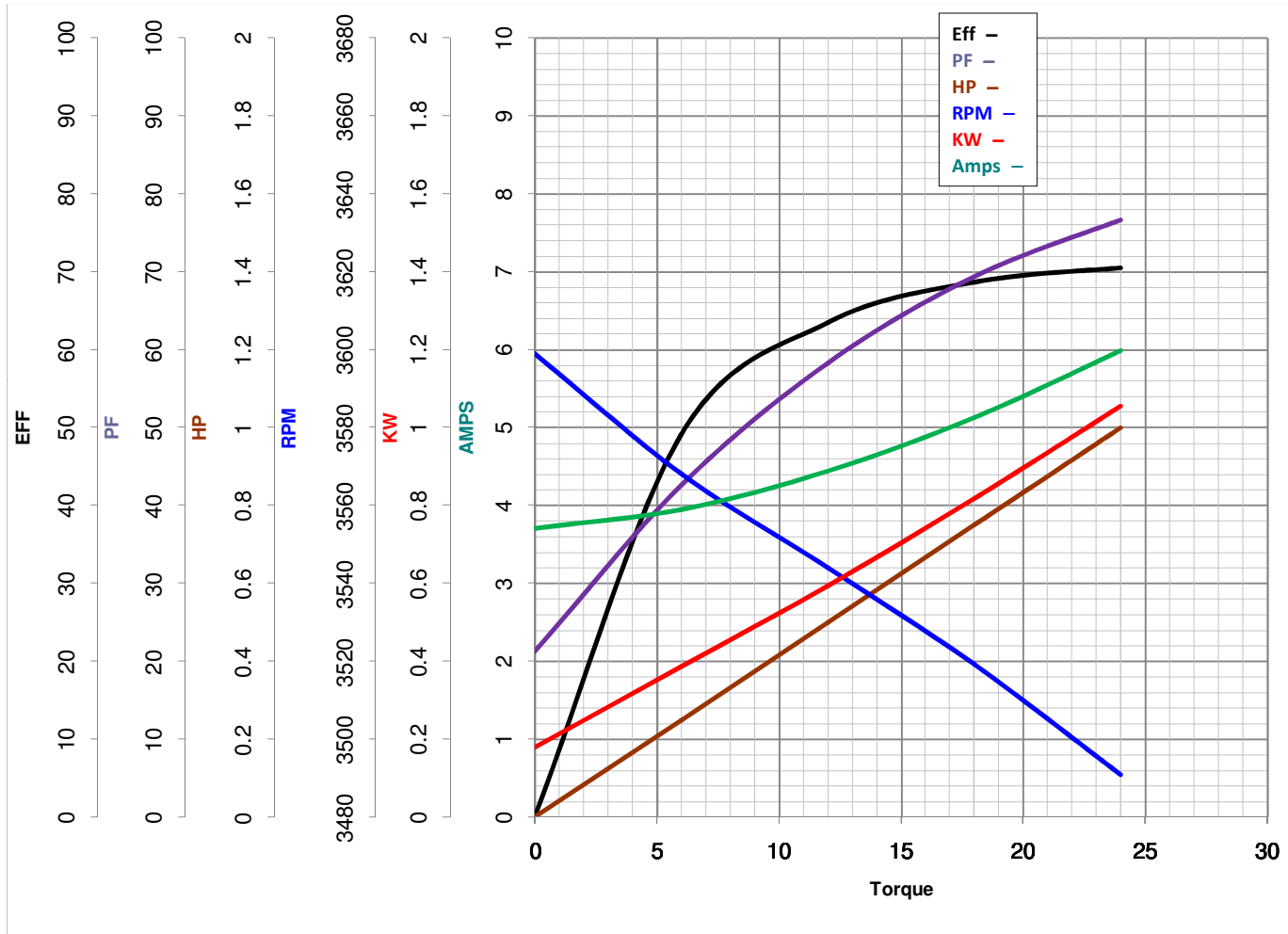


**LEESON ELECTRIC CORPORATION**  
 TYPICAL PERFORMANCE CURVE for AC MOTOR

Model No 111333.00

Catalog No 111333.00

Curve at 230 Volts HP 1.00 PHASE 1  
60 HZ  
1 HP VOLTS 115/208-230  
 HZ 60 RPM 3450



Torque in Oz.Ft

FL TORQUE 24 Oz.Ft  
 BD TORQUE 64.0 Oz.Ft  
 LR TORQUE 80 Oz.Ft

FL AMPS 12/6.2-6  
 PU TORQUE 60.0 Oz.Ft  
 LR AMPS 34

WINDING C632211-3

Date 3/27/2018