

PRODUCT INFORMATION PACKET



Model No: C6C34NB19H

Catalog No: 111949.00

1.5HP..3450RPM.56.TENV.115/208-230V.1PH.60HZ.AIROVER.NOT.40C.1.0SF.RIGID.AG - FAN &
BLOWER.C6C34NB19H

Agricultural



Regal and Leeson are trademarks of Regal Beloit Corporation or one of its affiliated companies.

©2018 Regal Beloit Corporation, All Rights Reserved. MC017097E





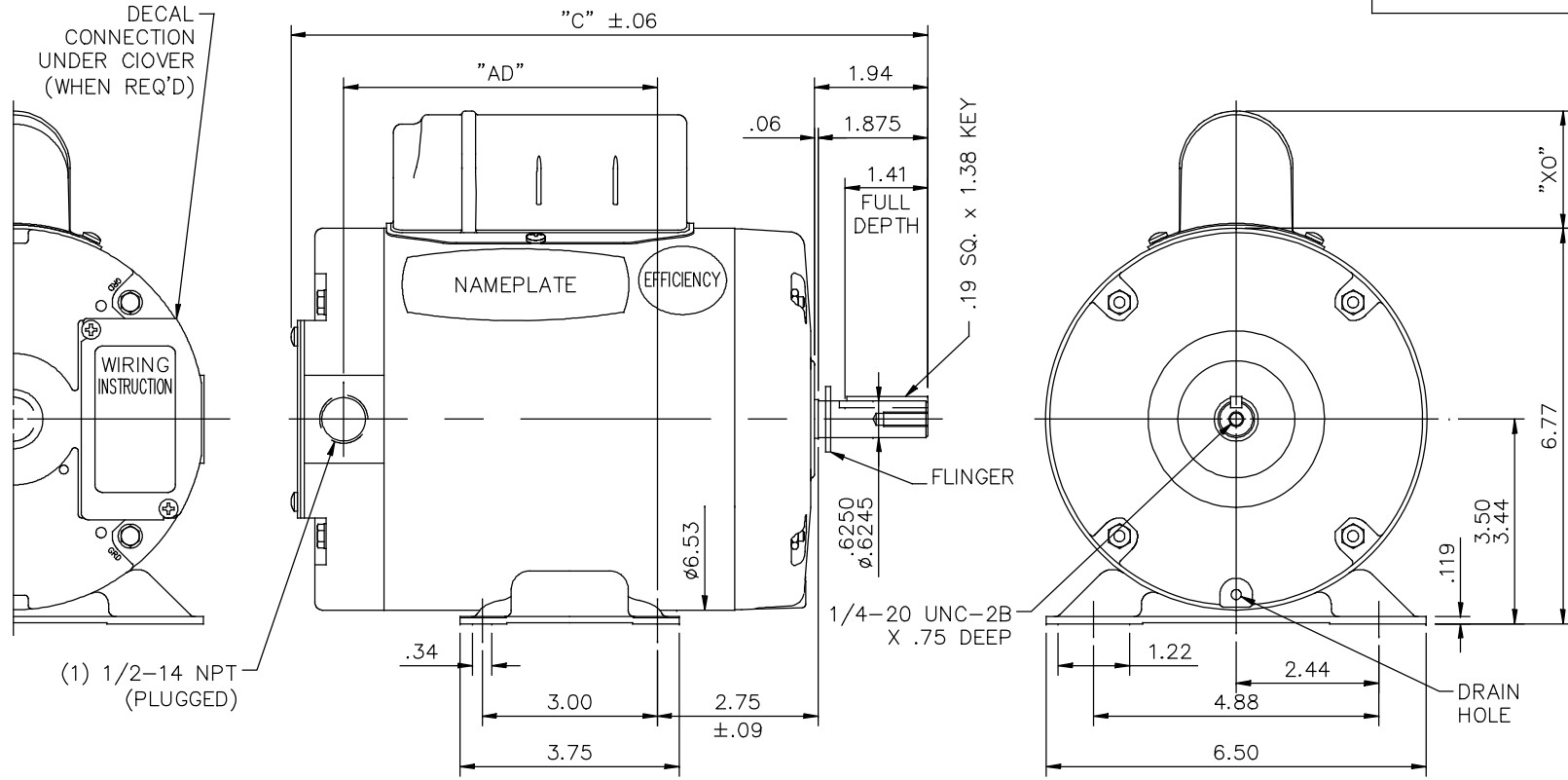
Nameplate Specifications

Output HP	1.50 Hp	Output KW	1.1 kW
Frequency	60 Hz	Voltage	115/208-230 V
Current	17.0/9.0-8.5 A	Speed	3450 rpm
Service Factor	1	Phase	1
Efficiency	72 %	Duty	Continuous
Insulation Class	B	Design Code	L
KVA Code	H	Frame	56Z
Enclosure	Totally Enclosed Air Over	Overload Protector	No
Ambient Temperature	40 °C	Drive End Bearing Size	6203
Opp Drive End Bearing Size	6203	UL	Recognized
CSA	Y	CE	N
IP Code	43		

Technical Specifications

Electrical Type	Capacitor Start Induction Run	Starting Method	Across The Line
Poles	2	Rotation	Selective Counterclockwise
Mounting	Rigid base	Motor Orientation	HORIZONTAL
Drive End Bearing	BALL	Opp Drive End Bearing	BALL
Frame Material	Rolled Steel	Shaft Type	Single Special Extension
Overall Length	11.40 in	Frame Length	6.50 in
Shaft Diameter	0.625 in	Shaft Extension	1.87 in
Assembly/Box Mounting	F1 ONLY		
Outline Drawing	028597-650B	Connection Diagram	005005.52

028597



DASH NO.	"C"	"AD"	CAP. DASH	"XO"
500	9.90	4.37	A	1.54
550	10.40	4.87	B	2.01
600	10.90	5.37	C	2.25
650	11.40	5.87		

GASKETS THROUGHOUT

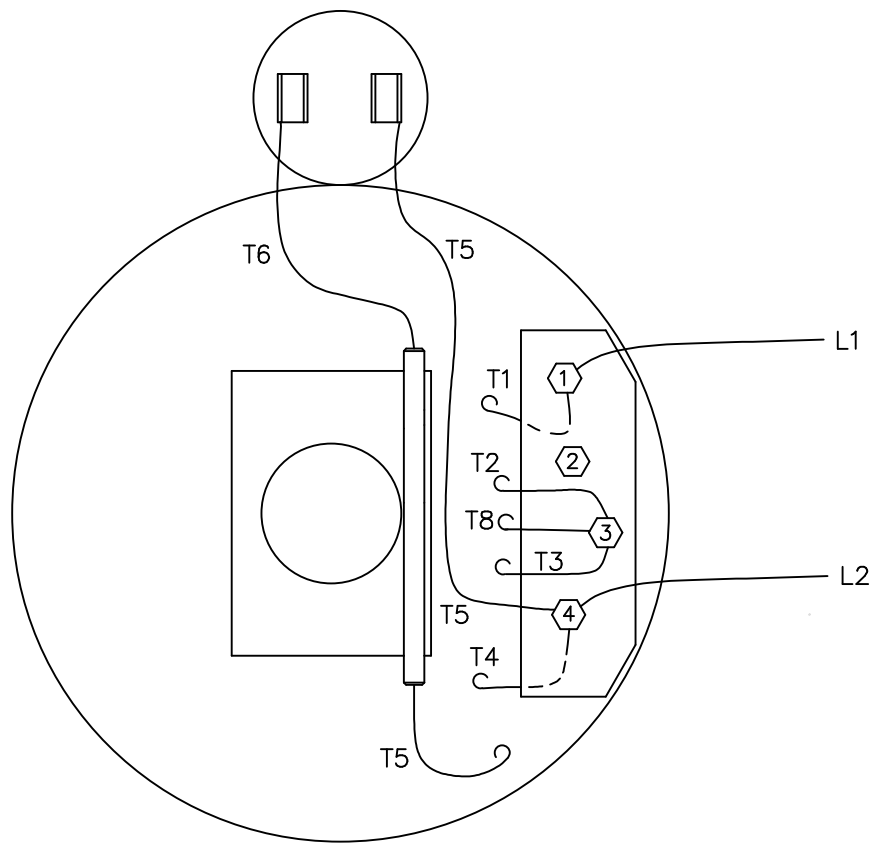
		TOLERANCES UNLESS SPECIFIED		DRAWN RDW 6/28/04	
		DEC.	INCHES	CHK	
		.X	±.1	APPD SW 6/28/04	
		.XX	±.03	SCALE 3=8	
		.XXX	±.005	REF	
A	ADDED FLINGER	DS	06/12/18	AS	.XXXX ±.0005
NO.	REVISION	BY & DATE	CHK	ANG	±1/2'
THIS DRAWING IN DESIGN AND DETAIL IS OUR PROPERTY AND MUST NOT BE USED EXCEPT IN CONNECTION WITH OUR WORK ALL RIGHTS OF DESIGN AND INVENTION ARE RESERVED THIS IS AN ELECTRONICALLY GENERATED DOCUMENT - DO NOT SCALE THIS PRINT		RFP	6/28/04	CAD FILE	028597
		DIST	BRF-NLV	SIZE	DRAWING NO. 028597
				REV.	A

REGAL™ Regal Beloit America, Inc.

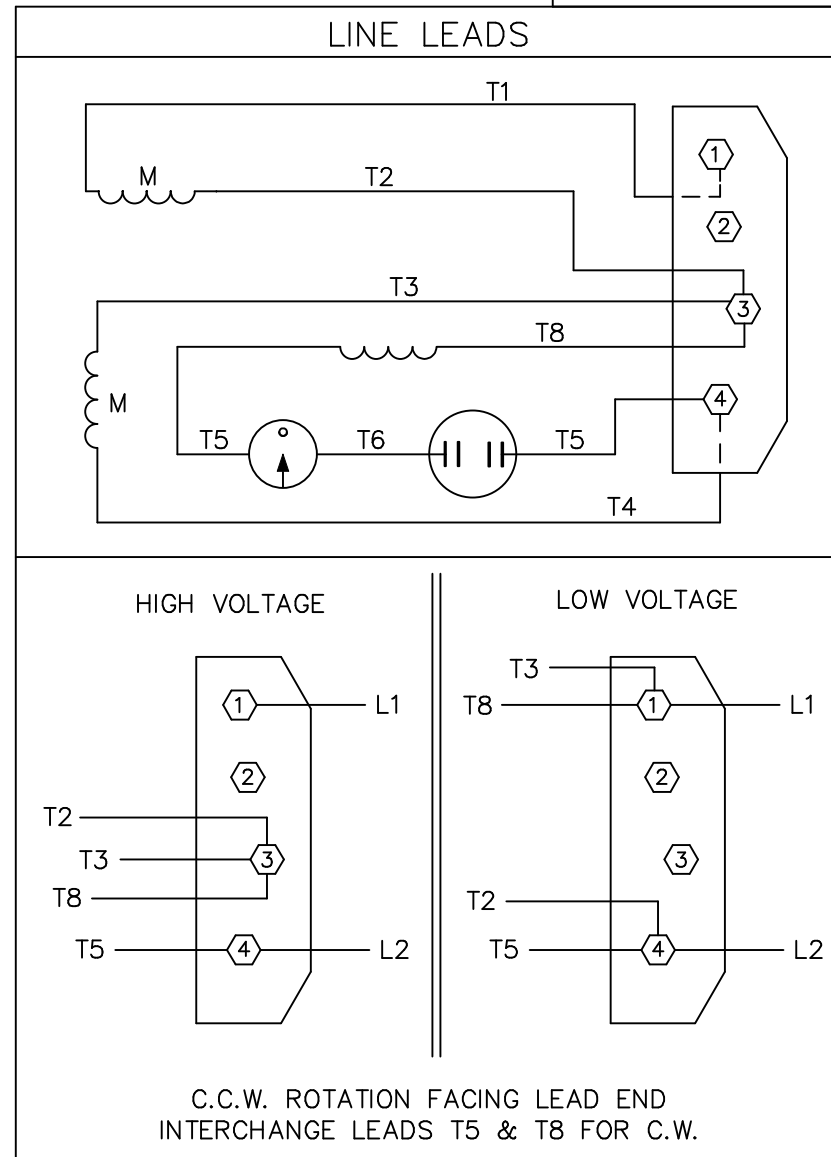
TITLE OUTLINE - 56Z FRAME
TENV - RIGID

MAT'L. FAN DUTY

FINISH



VIEW FROM OUTSIDE OF MOTOR AT SWITCH END.



C.C.W. ROTATION FACING LEAD END
INTERCHANGE LEADS T5 & T8 FOR C.W.

		TOLERANCES UNLESS SPECIFIED		ELECTRIC MOTORS GEARMOTORS AND DRIVES		DRAWN PG 9/14/05	
		DEC.	INCHES	<div style="border: 2px solid black; padding: 5px; display: inline-block;">LEESON</div> ELECTRIC MOTORS GEARMOTORS AND DRIVES		CHK	
		.X	±.1			APPD	
		.XX	±.01			SCALE 1=1	
		.XXX	±.005			REF 005005-24	
		.XXXX	±.0005			FMF 115950.00	
NO.	REVISION	BY & DATE	CHK	ANG	±1/2'	FINISH	PREV
						TITLE	EXTERNAL WIRING DIAGRAM TYPE "C" W/O PROTECTOR
						MAT'L.	DECAL 081209-01
						FINISH	STANDARD
			RFP			CAD FILE	00500552
			DIST			SIZE	A
						DRAWING NO.	005005-52
						REV.	

THIS DRAWING IN DESIGN AND DETAIL IS OUR PROPERTY AND MUST NOT BE USED EXCEPT IN CONNECTION WITH OUR WORK ALL RIGHTS OF DESIGN AND INVENTION ARE RESERVED THIS IS AN ELECTRONICALLY GENERATED DOCUMENT - DO NOT SCALE THIS PRINT



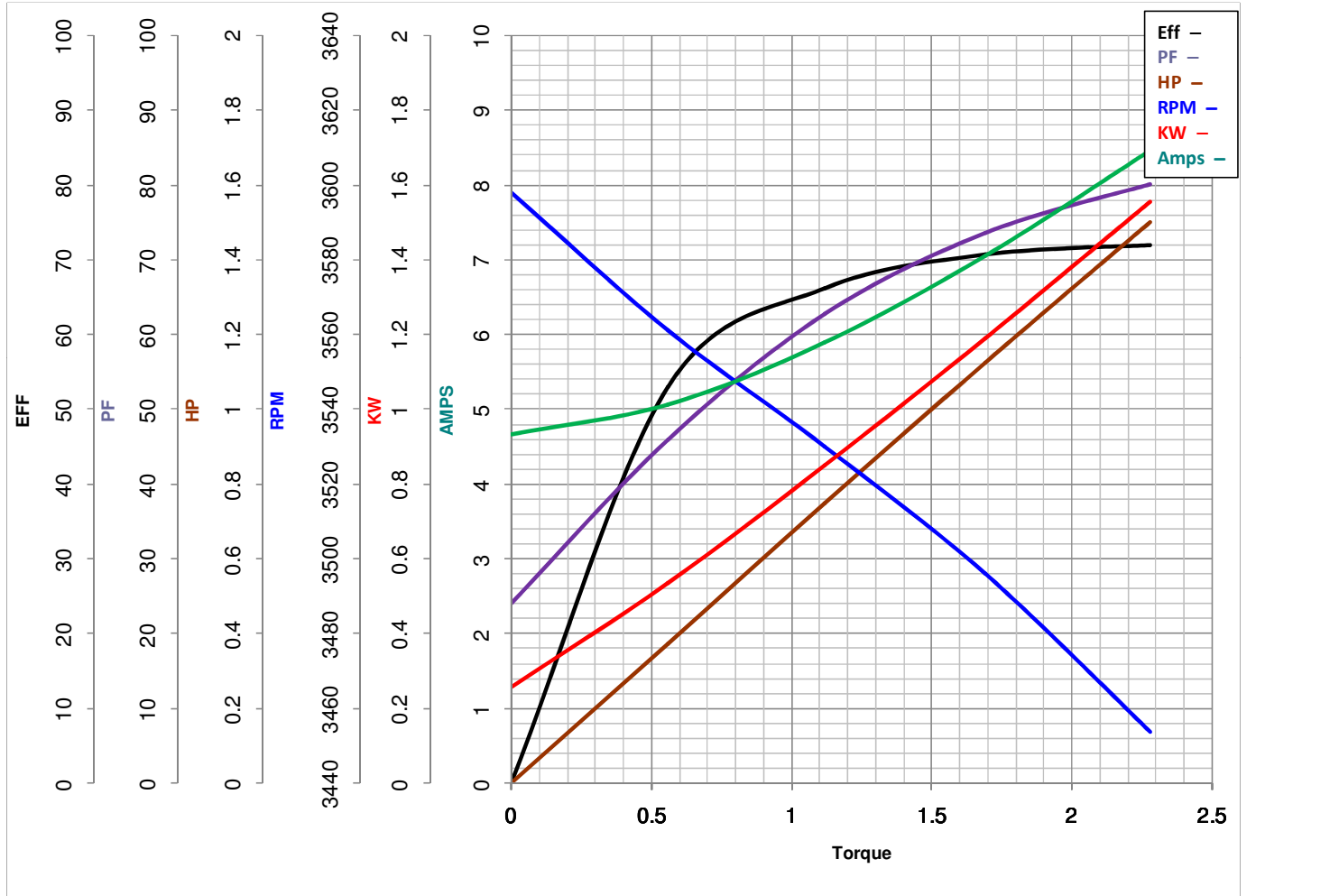
LEESON ELECTRIC CORPORATION
 TYPICAL PERFORMANCE CURVE for AC MOTOR

Model No 111949.00

Catalog No 111949.00

Curve at 230 Volts HP 1.50 PHASE 1
60 HZ
1.5 HP VOLTS 115/208-230

HZ 60 RPM 3450



FL TORQUE	<u>2.28</u>	Lb.Ft	FL AMPS	<u>17/9-8.5</u>
BD TORQUE	<u>5.6</u>	Lb.Ft	PU TORQUE	<u>5.3</u> Lb.Ft
LR TORQUE	<u>5.5</u>	Lb.Ft	LR AMPS	<u>46</u>
WINDING	C632212-3		Date	<u>4/12/2018</u>