

# PRODUCT INFORMATION PACKET



Model No: C6C46DR2J

Catalog No: 111954.00

..3/4-1/3HP..1725/1140RPM.56H.DP.115V.1PH.60HZ.CONT.40C.1.0SF.RESIL.C6C46DR2J.....FAN & BLOWER.NOT.....

2 Speed



Regal and Leeson are trademarks of Regal Beloit Corporation or one of its affiliated companies.

©2018 Regal Beloit Corporation, All Rights Reserved. MC017097E





### Nameplate Specifications

Output HP	0.75,0.33 Hp	Output KW	0.56 kW
Frequency	60 Hz	Voltage	115 V
Current	11.6,7 A	Speed	1725,1140 rpm
Service Factor	1	Phase	1
Efficiency	64.9 %	Duty	Continuous
Insulation Class	B	Design Code	2VT
KVA Code	H	Frame	56H
Enclosure	Drip Proof	Overload Protector	No
Ambient Temperature	40 °C	Drive End Bearing Size	6203
Opp Drive End Bearing Size	6203	UL	Recognized
CSA	Y	CE	N
IP Code	22		

### Technical Specifications

Electrical Type	Capacitor Start Capacitor Run	Starting Method	Across The Line
Poles	4//6	Rotation	Selective Counterclockwise
Mounting	Resilient Base	Motor Orientation	HORIZONTAL
Drive End Bearing	BALL	Opp Drive End Bearing	BALL
Frame Material	Rolled Steel	Shaft Type	NEMA 56
Overall Length	17.23 in	Frame Length	7.00 in
Shaft Diameter	0.625 in	Shaft Extension	1.88 in
Assembly/Box Mounting	F1 ONLY		
Outline Drawing	029065-700B	Connection Diagram	005192.01

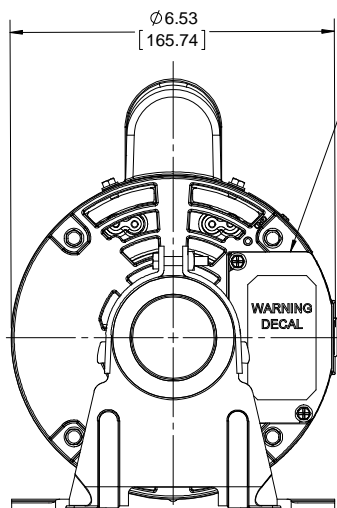
4

3

Uncontrolled Copy

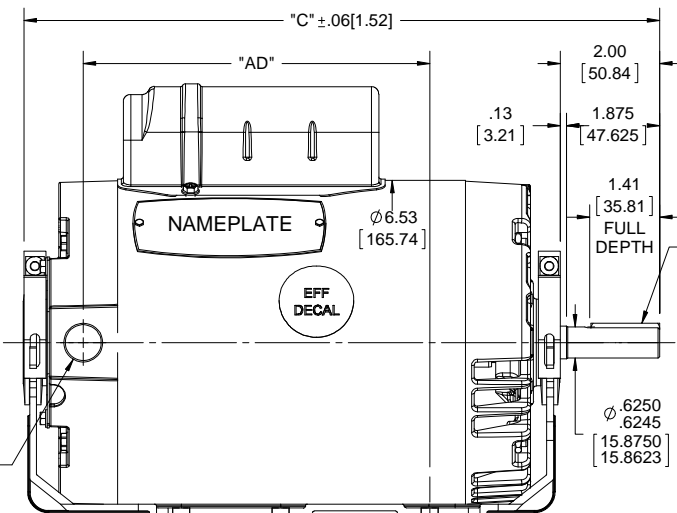
2

1

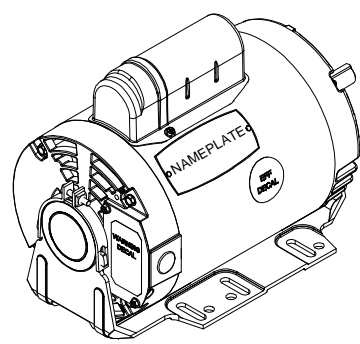
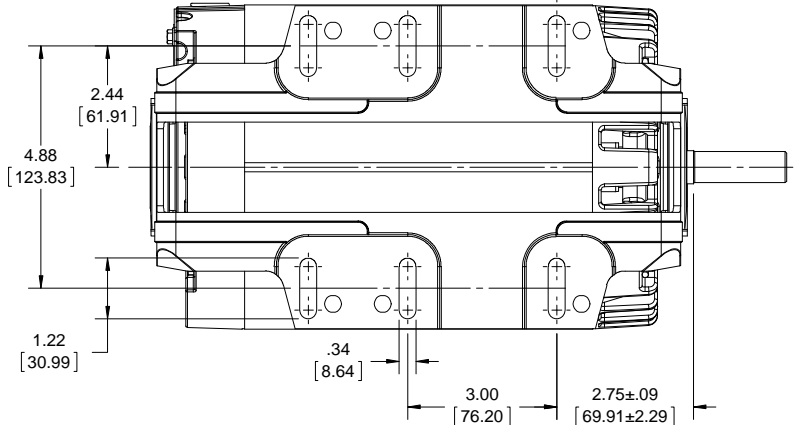
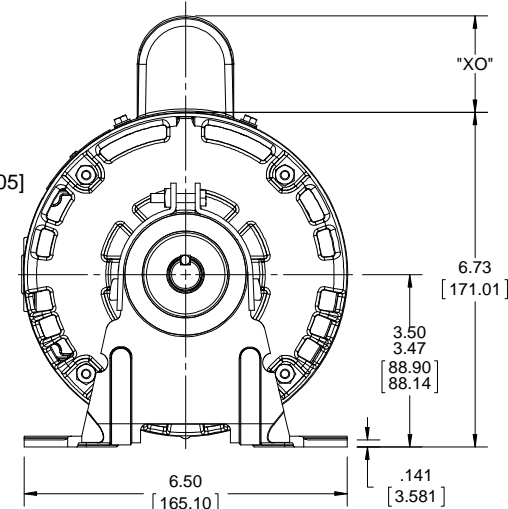


DECAL  
CONNECTION  
UNDER COVER  
(WHEN REQ'D)

(1) 1/2-14 NPT  
(PLUGGED)



.19[4.83] SQ. X 1.38[35.05]  
KEY



CAP DASH	"XO"
A	1.48 [37.59]
B	1.95 [49.53]
C	2.19 [55.63]

DASH NO.	"C"	"AD"
700	12.79 [324.87]	6.97 [177.04]

DRAWING REVISION A		REVISION BY APPROVED BY	DATE	TOLERANCES UNLESS OTHERWISE SPECIFIED: DEC. INCH mm ANGLE .X $\pm 0.1$ [ $\pm 2.5$ ] $\pm 7-30^\circ$ .XX $\pm 0.03$ [ $\pm 0.76$ ] .XXX $\pm 0.005$ [ $\pm 0.127$ ] .XXXX $\pm 0.0005$ [ $\pm 0.0127$ ] REMOVE BURRS & BREAK SHARP EDGES: .003/.015 [0.076/.381] X 45° CORNER FILLETS: R.02 [51] MACHINED SURFACES: 200 INCH mm 5.1 mm SHOWN IN [BRACKETS]	DRAWN BY T. AHER	Regal Beloit America, Inc. <b>OUTLINE</b> 56 FRAME, DRIP PROOF - RESILIENT MOUNT
ECO ECO-0139851	DATE	DATE	DATE 12/14/2017			
ECO DESCRIPTION <b>OUTLINE CONVERSION PROJECT</b> <small>COPYRIGHT REGAL BELOIT AMERICA, INC. ALL RIGHTS RESERVED.          PROPRIETARY AND CONFIDENTIAL INFORMATION - THIS DOCUMENT IS THE PROPERTY OF REGAL BELOIT AMERICA, INC. (OWNER) AND CONTAINS OWNER'S PROPRIETARY INFORMATION. ANY PERSON, CORPORATION OR OTHER FIRM RECEIVING IT IS DEEMED, BY RECEIVING IT, TO AGREE THAT IT, AND/OR ANY PART OF IT, SHALL NOT BE DISCLOSED TO ANY PERSON, CORPORATION OR OTHER ENTITY, DUPLICATED, AND/OR USED, EXCEPT AS EXPRESSLY APPROVED IN WRITING IN ADVANCE BY OWNER. THIS DOCUMENT SHALL BE RETURNED TO OWNER UPON REQUEST. IT MAY BE SUBJECT TO CERTAIN RESTRICTIONS UNDER APPLICABLE EXPORT CONTROL LAWS AND REGULATIONS.</small>				APPROVED BY PK	DESCRIPTION	
DATE 2/15/2018		REFERENCE 028619	THIRD ANGLE PROJECTION	MATERIAL	PROCESS/FINISH	
SIZE B	DRAWING NUMBER 029065	SHEET 1 OF 1				

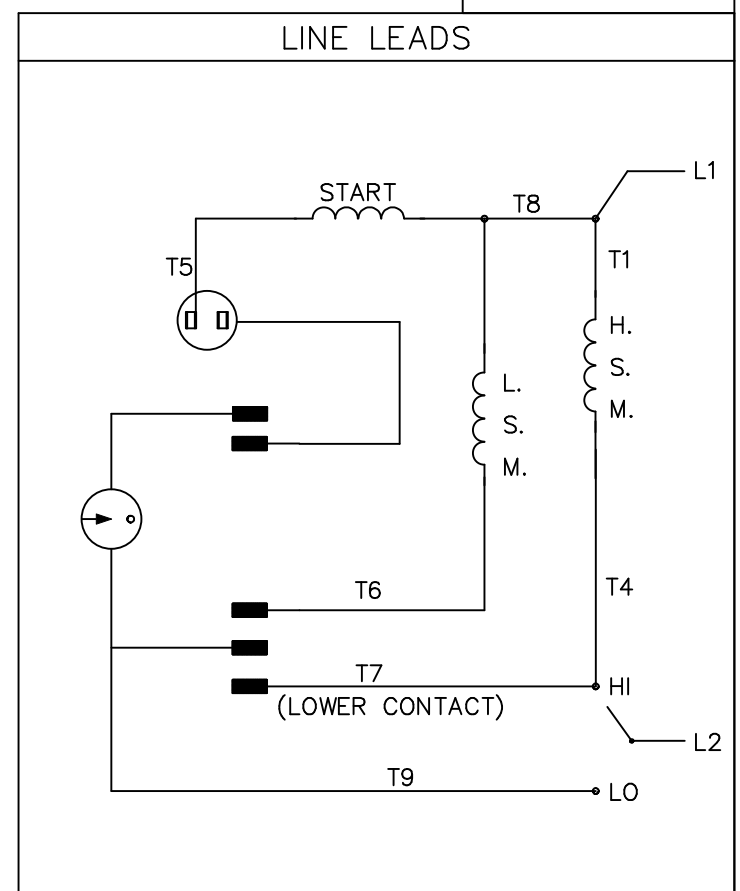
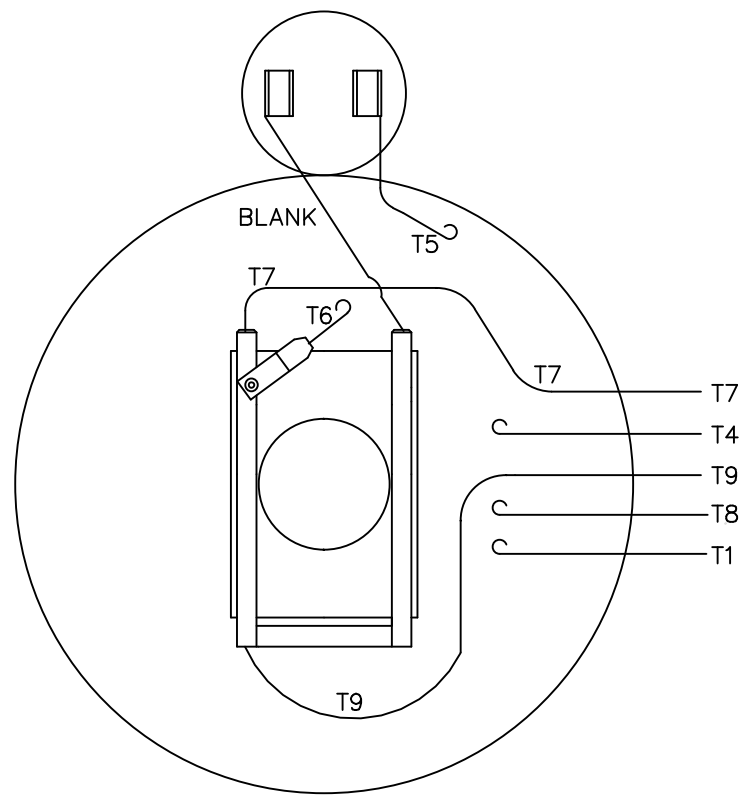
4

3

2

1

VIEW FROM OUTSIDE OF MOTOR AT SWITCH END.



ROTATION FACING LEAD END	L1	L2	
		HI SPEED	LOW SPEED
C.C.W.	T1, T8	T4, T7	T9
C.W.	T4, T8	T1, T7	T9

TOLERANCES UNLESS OTHERWISE SPECIFIED	
DECIMALS	
.00	± .01
.000	± .005
.0000	± .0005
FRACTIONS	
	± 1/64

**LEESON** ELECTRIC CORPORATION

DRAWN PG 11/04/82	TITLE	EXTERNAL WIRING DIAGRAM
CH'K'D. DLL 11/04/82		TYPE "C" W/O PROTECTOR
APPR. TEM 11/04/82	MAT'L.	DECAL - 080092
SCALE 1=1		

NO.	REVISION	BY	DATE	ANGLES	± 1/2"	REF.	005122	FINISH IND. BELTING	SIZE	DRAWING NO.
				INCH/MM		FMF	W-C-63(4-3)1	145C48DC11	A	005192-01

THIS DRAWING IN DESIGN AND DETAIL IS OUR PROPERTY AND MUST NOT BE USED EXCEPT IN CONNECTION WITH OUR WORK ALL RIGHTS OF DESIGN AND INVENTION ARE RESERVED



**LEESON ELECTRIC CORPORATION**  
TYPICAL PERFORMANCE CURVE for AC MOTOR

Model No 111954.00

Curve at

230

Volts

HP 0.76

PHASE 1

60

HZ

VOLTS 115

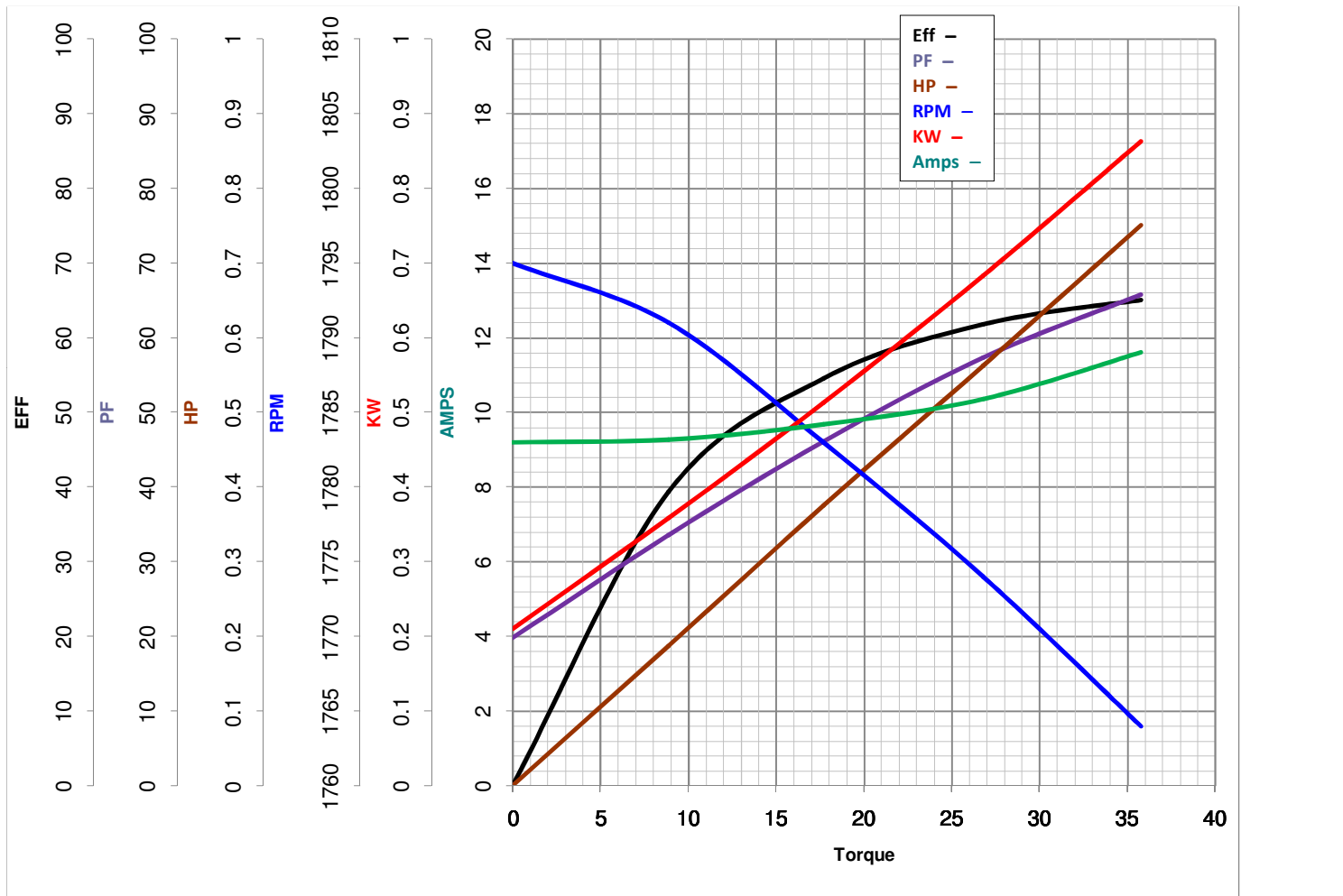
Catalog No 111954.00

0.75

HP

HZ 60

RPM 1725



Torque in OZ-FT

FL TORQUE 35.8 OZ-FT  
BD TORQUE 91.0 OZ-FT  
LR TORQUE 84 OZ-FT

FL AMPS 11.6  
PU TORQUE 63.5 OZ-FT  
LR AMPS 60

WINDING C63(4-6)18-1

Date 3/27/2018