

PRODUCT INFORMATION PACKET



Model No: C6P34NK5F

Catalog No: 113939.00

1/2HP..3450RPM.56.TENV./230V.1PH.60HZ.60 MIN.NOT.40C.SPECSF.RIGID C.AG - MILK
TRANSFER.C6P34NK5F

Milk Transfer



Regal and Leeson are trademarks of Regal Beloit Corporation or one of its affiliated companies.

©2018 Regal Beloit Corporation, All Rights Reserved. MC017097E



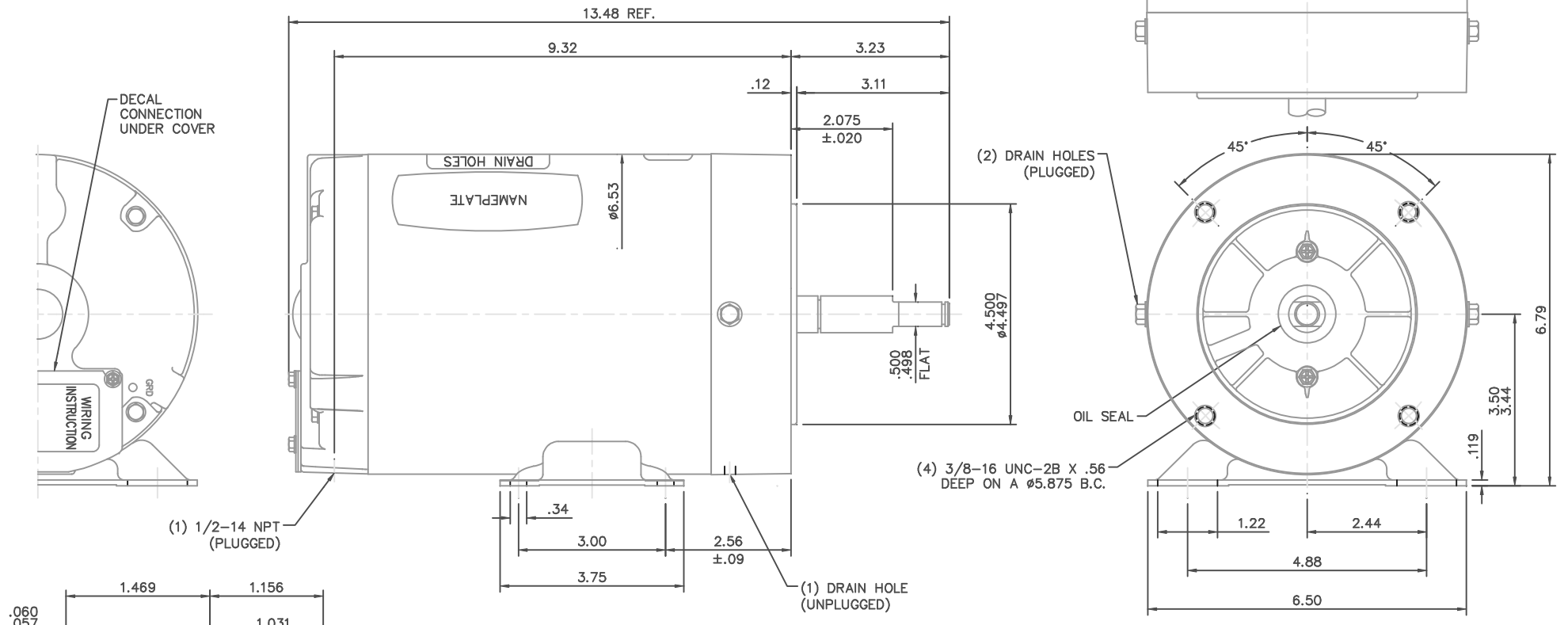


Nameplate Specifications

Output HP	0.50 Hp	Output KW	0.37 kW
Frequency	60 Hz	Voltage	230 V
Current	4.5 A	Speed	3450 rpm
Service Factor	1	Phase	1
Efficiency	57.5 %	Duty	60 Minute
Insulation Class	F	Design Code	N
KVA Code	H	Frame	56CZ
Enclosure	Totally Enclosed Non Ventilated	Overload Protector	No
Ambient Temperature	40 °C	Drive End Bearing Size	6205
Opp Drive End Bearing Size	6203	UL	Recognized
CSA	Y	CE	N
IP Code	43		

Technical Specifications

Electrical Type	Permanent Split Capacitor	Starting Method	Across The Line
Poles	2	Rotation	Selective Counterclockwise
Mounting	Rigid base	Motor Orientation	HORIZONTAL
Drive End Bearing	BALL	Opp Drive End Bearing	BALL
Frame Material	Rolled Steel	Shaft Type	Single Special Extension
Overall Length	13.48 in	Frame Length	7.00 in
Shaft Diameter	0.500 in	Shaft Extension	3.11 in
Assembly/Box Mounting	F1 ONLY		
Outline Drawing	OL113939	Connection Diagram	005058.01

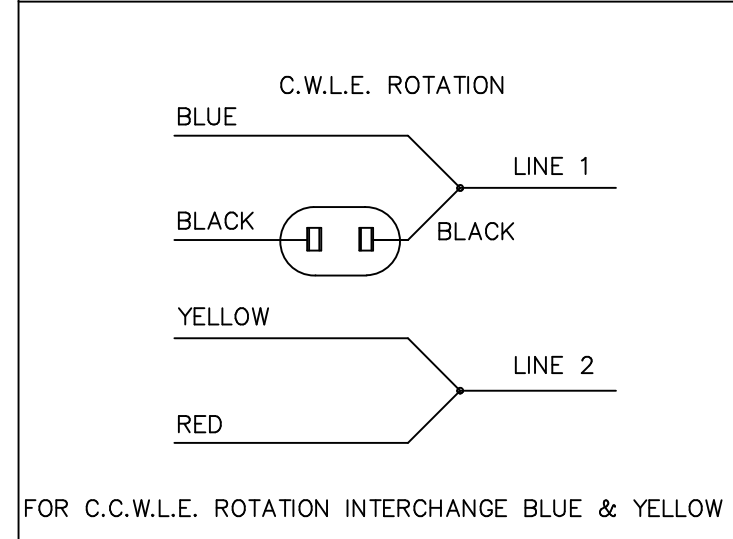
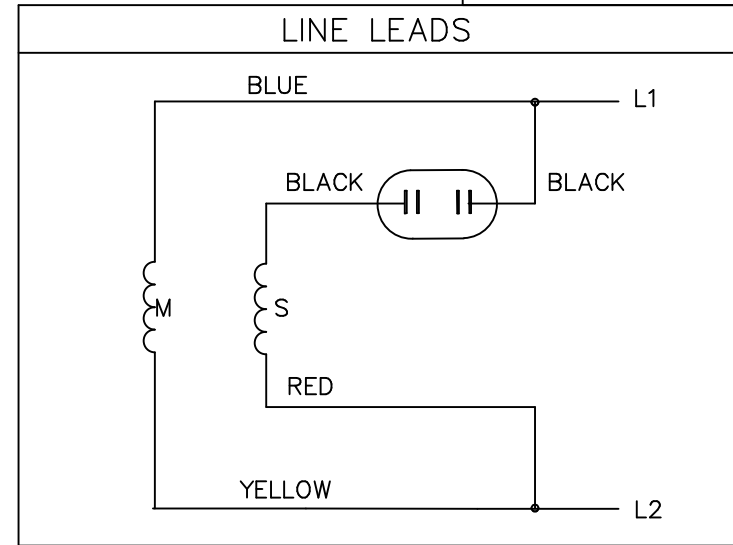
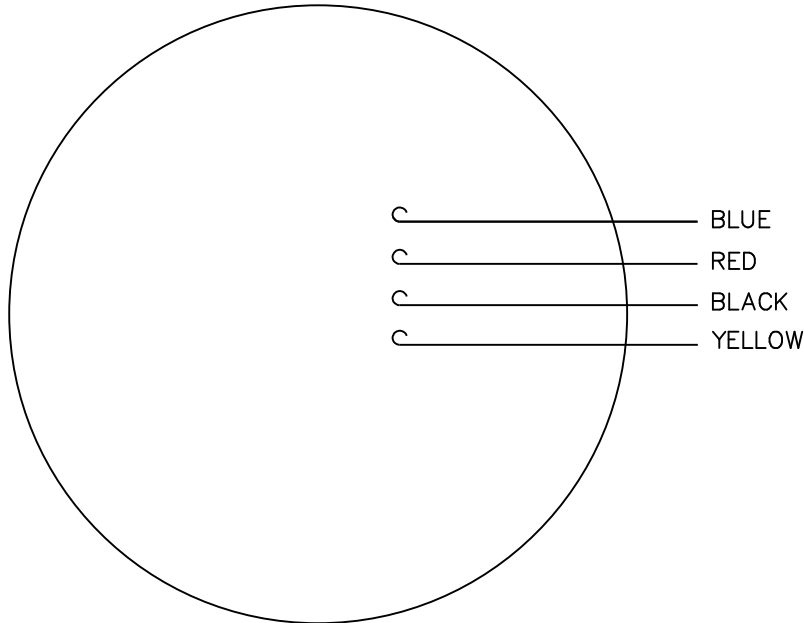


GASKETS THROUGHOUT
 MAXIMUM FACE RUNOUT TO BE .004 T.I.R.
 MAXIMUM PILOT ECCENTRICITY .004 T.I.R.
 PERMISSIBLE SHAFT RUNOUT .003 T.I.R.

SHAFT EXTENSION DETAIL
 2X SCALE

		TOLERANCES UNLESS SPECIFIED		LEESON	ELECTRIC MOTORS GEARMOTORS AND DRIVES	DRAWN
NO.	REVISION	DEC.	INCHES			CHK
		.X	±.1			KMM 08/01/06
		.XX	±.03			APPD PG 08/01/06
		.XXX	±.005		TITLE	SCALE 1=2
		.XXXX	±.0005		OUTLINE - 56CZ FRAME TENV - RIGID "C"	REF 028585
01	BICB COVER SREWS REDRAWN	ARV	5/18/07		MAT'L	FMF 113939.00
		CHK	ANG ±1/2'		FINISH	PREV
THIS DRAWING IN DESIGN AND DETAIL IS OUR PROPERTY AND MUST NOT BE USED EXCEPT IN CONNECTION WITH OUR WORK ALL RIGHTS OF DESIGN AND INVENTION ARE RESERVED THIS IS AN ELECTRONICALLY GENERATED DOCUMENT - DO NOT SCALE THIS PRINT		RFP			CAD FILE	OL113939
		DIST	BRF-NLV		SIZE	B
					DRAWING NO.	OL113939
					REV.	01

VIEW FROM OUTSIDE OF MOTOR AT SWITCH END.



				TOLERANCES UNLESS OTHERWISE SPECIFIED		LEESON ELECTRIC CORPORATION			
				DECIMALS				DRAWN JRW 10/30/74	
				.00 ± .01		CH'K'D.		TYPE "P" W/O PROTECTOR	
				.000 ± .005		APPR. JCW		MAT'L. INTERNAL DIA. P2A P2B	
2 REDRAWN ON CAD DBT 06/23/97				.0000 ± .0005		SCALE 1=1			
NO. REVISION BY DATE				FRACTIONS ± 1/64		REF. MG1 2.47		FINISH BABSON	
THIS DRAWING IN DESIGN AND DETAIL IS OUR PROPERTY AND MUST NOT BE USED EXCEPT IN CONNECTION WITH OUR WORK ALL RIGHTS OF DESIGN AND INVENTION ARE RESERVED				ANGLES ± 1/2°		FMF FIG. 2-15		SIZE A	
				INCH/MM				DRAWING NO. 005058-01	

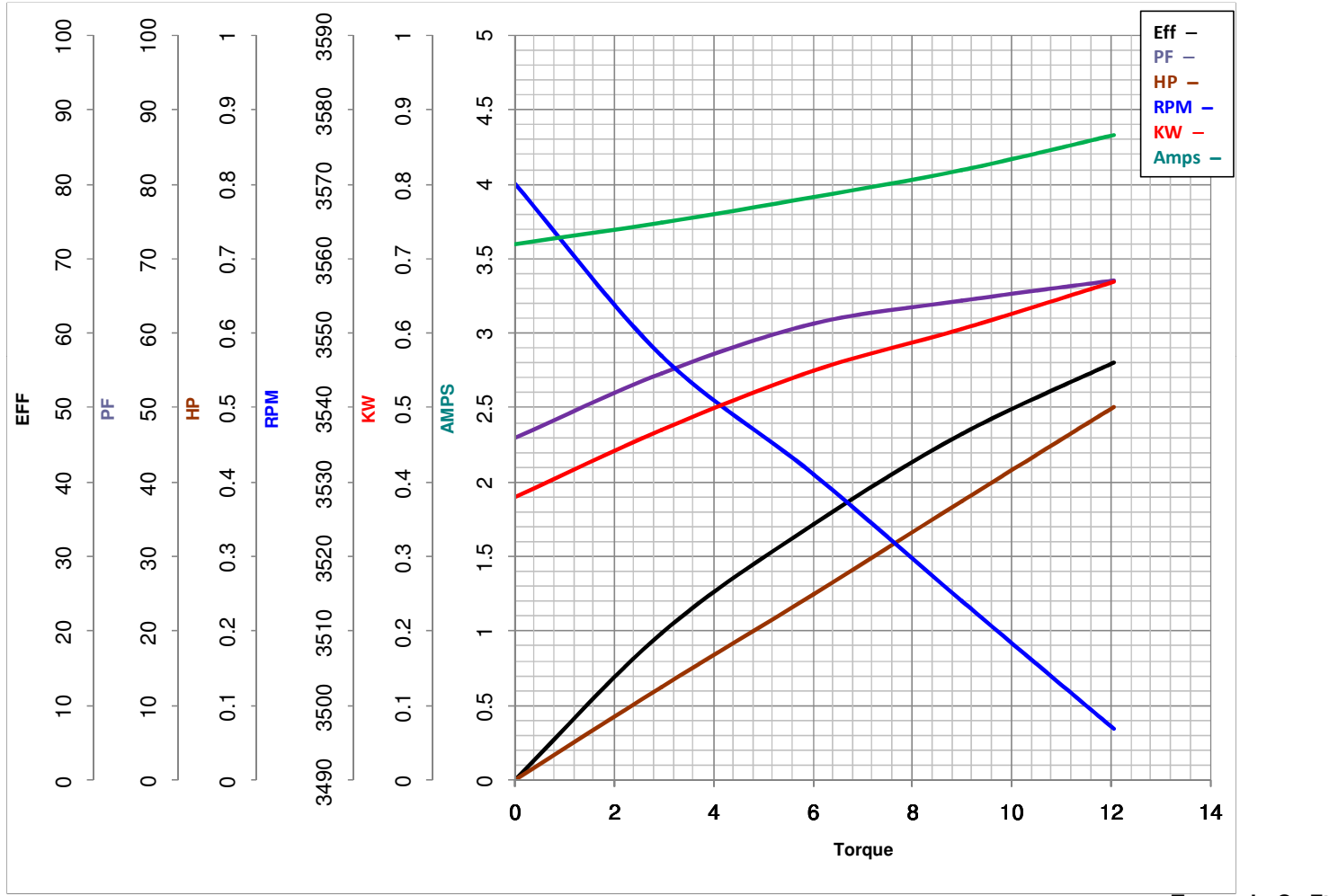


LEESON ELECTRIC CORPORATION
TYPICAL PERFORMANCE CURVE for AC MOTOR

Model No 113939.00

Catalog No 113939.00

Curve at 230 Volts HP 0.50 PHASE 1
60 HZ
0.5 HP VOLTS 230
HZ 60 RPM 3450



FL TORQUE	<u>12.04</u> Oz.Ft	FL AMPS	<u>4.5</u>
BD TORQUE	<u>56.0</u> Oz.Ft	PU TORQUE	<u>19.0</u> Oz.Ft
LR TORQUE	<u>20</u> Oz.Ft	LR AMPS	<u>15</u>
WINDING	P63253-4	Date	3/14/2018