

PRODUCT INFORMATION PACKET



Model No: C6T17WK48A

Catalog No: 119783.00

3HP.2.24KW.1740RPM.56H.TEFC.208-230/460V.3PH.60HZ.CONT.NOT.40C.1.0SF.RIGID.AG - FEATHER
PICKER.C6T17FB113B

Feather Picker



Regal and Leeson are trademarks of Regal Beloit Corporation or one of its affiliated companies.

©2018 Regal Beloit Corporation, All Rights Reserved. MC017097E



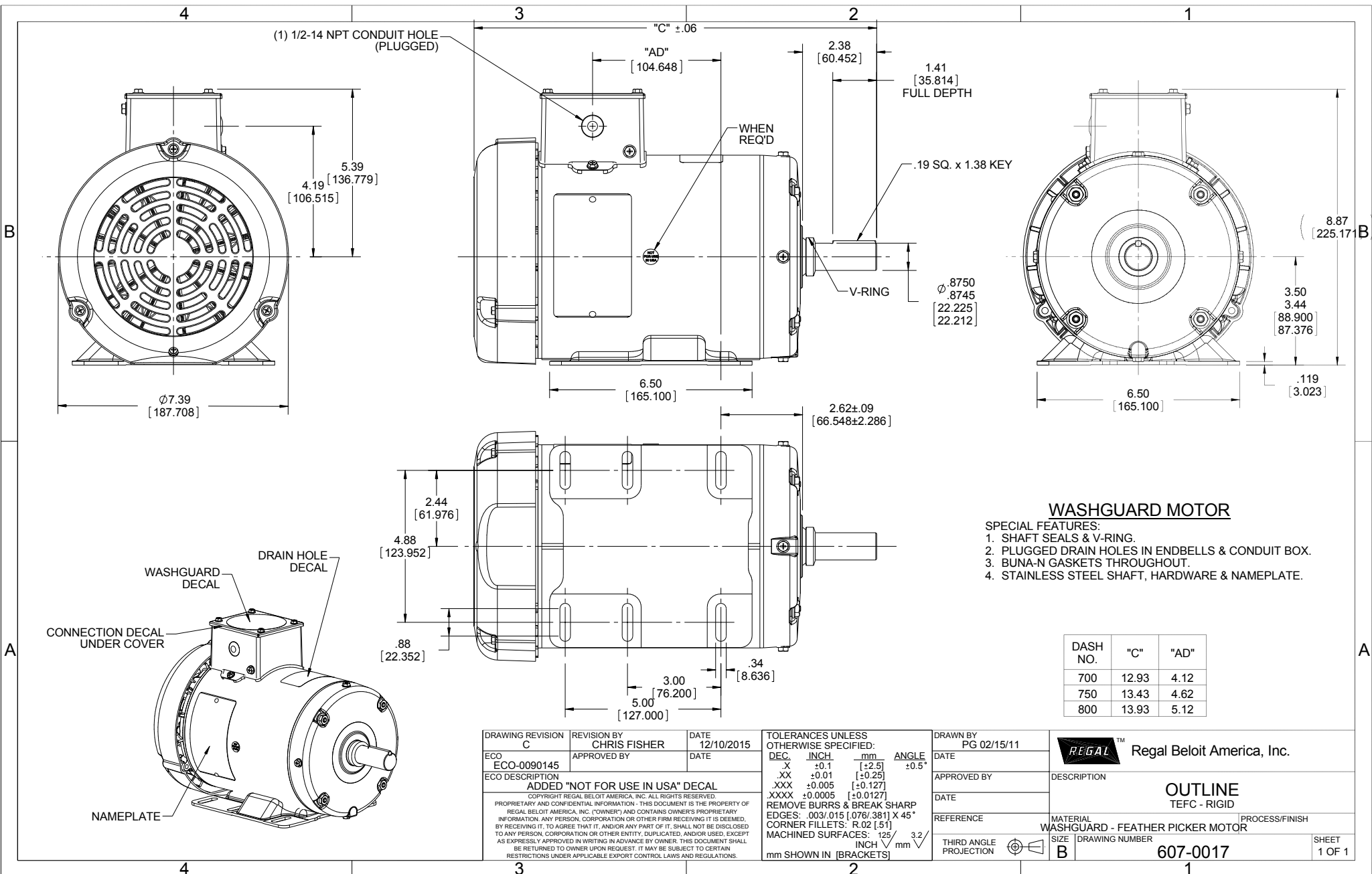


Nameplate Specifications

Output HP	3 Hp	Output KW	2.2 kW
Frequency	60 Hz	Voltage	208-230/460 V
Current	8.9-8.6/4.3 A	Speed	1740 rpm
Service Factor	1	Phase	3
Efficiency	82.5 %	Duty	Continuous
Insulation Class	H	Design Code	INV
KVA Code	J	Frame	56HZ
Enclosure	Totally Enclosed Fan Cooled	Overload Protector	No
Ambient Temperature	40 °C	Drive End Bearing Size	6205
Opp Drive End Bearing Size	6203	UL	Recognized
CSA	Y	CE	Y
IP Code	55		

Technical Specifications

Electrical Type	Squirrel Cage Inverter Duty	Starting Method	Inverter Only
Poles	4	Rotation	Reversible
Mounting	Rigid base	Motor Orientation	HORIZONTAL
Drive End Bearing	BALL	Opp Drive End Bearing	BALL
Frame Material	Rolled Steel	Shaft Type	NEMA 56
Overall Length	13.93 in	Frame Length	8.00 in
Shaft Diameter	0.875 in	Shaft Extension	2.38 in
Assembly/Box Mounting	F3		
Outline Drawing	607-0017-800	Connection Diagram	005010.01



WASHGUARD MOTOR

- SPECIAL FEATURES:
1. SHAFT SEALS & V-RING.
 2. PLUGGED DRAIN HOLES IN ENDBELLS & CONDUIT BOX.
 3. BUNA-N GASKETS THROUGHOUT.
 4. STAINLESS STEEL SHAFT, HARDWARE & NAMEPLATE.

DASH NO.	"C"	"AD"
700	12.93	4.12
750	13.43	4.62
800	13.93	5.12

DRAWING REVISION C	REVISION BY CHRIS FISHER	DATE 12/10/2015	TOLERANCES UNLESS OTHERWISE SPECIFIED: DEC. INCH mm ANGLE X $\pm .01$ [± 2.5] $\pm 0.5^\circ$.XX ± 0.01 [± 0.25] .XXX ± 0.005 [± 0.127] .XXXX ± 0.0005 [± 0.0127] REMOVE BURRS & BREAK SHARP EDGES: .003/.015 [.076/.381] X 45° CORNER FILLETS: R.02 [.51] MACHINED SURFACES: 125/3.2 INCH mm mm SHOWN IN [BRACKETS]	DRAWN BY PG 02/15/11	REGAL™ Regal Beloit America, Inc.
ECO-0090145	APPROVED BY	DATE		DATE	
ECO DESCRIPTION ADDED "NOT FOR USE IN USA" DECAL COPYRIGHT REGAL BELOIT AMERICA, INC. ALL RIGHTS RESERVED. PROPRIETARY AND CONFIDENTIAL INFORMATION - THIS DOCUMENT IS THE PROPERTY OF REGAL BELOIT AMERICA, INC. ("OWNER") AND CONTAINS OWNER'S PROPRIETARY INFORMATION. ANY PERSON, CORPORATION OR OTHER FIRM RECEIVING IT IS DEEMED, BY RECEIVING IT, TO AGREE THAT IT, AND/OR ANY PART OF IT, SHALL NOT BE DISCLOSED TO ANY PERSON, CORPORATION OR OTHER ENTITY, DUPLICATED, AND/OR USED, EXCEPT AS EXPRESSLY APPROVED IN WRITING IN ADVANCE BY OWNER. THIS DOCUMENT SHALL BE RETURNED TO OWNER UPON REQUEST. IT MAY BE SUBJECT TO CERTAIN RESTRICTIONS UNDER APPLICABLE EXPORT CONTROL LAWS AND REGULATIONS.				APPROVED BY	DESCRIPTION OUTLINE TEFC - RIGID
				DATE	MATERIAL WASHGUARD - FEATHER PICKER MOTOR
				REFERENCE	PROCESS/FINISH
				THIRD ANGLE PROJECTION	SIZE DRAWING NUMBER 607-0017
					SHEET 1 OF 1

005010-01

VIEW FROM OUTSIDE OF MOTOR AT SWITCH END.



VOLTAGE	L1	L2	L3	JOIN & INSULATE
HIGH	T1	T2	T3	(T4,T7) (T5,T8) (T6,T9)
LOW	T1,T7	T2,T8	T3,T9	T4,T5,T6

				TOLERANCES UNLESS SPECIFIED		Regal Beloit America, Inc.		DRAWN RDW 04/12/02				
				DEC.	INCHES			CHK				
				.X	±.1			APPD				
				.XX	±.01			SCALE 1=1				
				.XXX	±.005	TITLE		REF FIG.2-51				
A	UPDATED TO REGAL LOGO			SAJ	06/26/15	AJY	.XXXX	±.0005	MAT'L. DECAL - 004014	FMF		
NO.	REVISION			BY & DATE	CHK	ANG	±1/2"		FINISH	PREV		
THIS DRAWING IN DESIGN AND DETAIL IS OUR PROPERTY AND MUST NOT BE USED EXCEPT IN CONNECTION WITH OUR WORK ALL RIGHTS OF DESIGN AND INVENTION ARE RESERVED THIS IS AN ELECTRONICALLY GENERATED DOCUMENT - DO NOT SCALE THIS PRINT				RFP	04/12/02		CAD FILE		00501001	SIZE	DRAWING NO.	REV.
				DIST		BRF-NLV		A		005010-01		A



P.O. BOX 8003
WAUSAU, WI 54401-8003
PH. 715-675-3311

DATA VOLTS: 460

CERTIFICATION DATA SHEET

CONN. DIAGRAM: 005010.01
OUTLINE: 607-0017-800
WINDING: T634206

CAT #: 119783.00

FR 3

TYPICAL MOTOR PERFORMANCE DATA

HP	KW	SYNC RPM	FL RPM	FRAME	ENCLOSURE	TYPE	KVA CODE	DESIGN					
3	2.2	1800	1742	56H	TEFC	TFR	J	B					
PH	HZ	VOLTS	AMPS	START TYPE	DUTY	INSL	S.F.	AMB	ELEV.				
3	60	208-230/460	8.9-8.6/4.3	INVERTER ONLY	CONT	H	1.15	40	3300				
F.L. EFF		82.5	3/4 LD EFF	83.0	1/2 LD EFF	80.0	GTD EFF	ELECT. TYPE					
F.L. PF		79.0	3/4 LD PF	69.2	1/2 LD PF	58.1	0.0	SQ CAGE INV DUTY					
F.L. TORQUE		LR AMPS @ 460 V		L.R. TORQUE		B.D. TORQUE		F.L. RISE (°C)					
9.0 LB-FT		31.0		30.0 LB-FT		333%		35.7 LB-FT					
PRESSURE @ 3		POWER		ROTOR WK²		MAX. LOAD WK²		SAFE STALL TIME		STARTS/HOUR		MOTOR WGT	
999 DBA		1008 DBA		0.16 LB-FT²		0.2 LB-FT²		0 SEC.		0		0 LB.	

*** SUPPLEMENTAL INFORMATION ***

DE BRACKET TYPE	ODE BRACKET TYPE	MOUNT TYPE	MOTOR ORIENTATION	SEVERE DUTY	HAZARDOUS LOCATION	DRIP COVER	SCREENS	PAINT
STANDARD	STANDARD	RIGID	HORIZONTAL	NO	NONE	NO	NONE	ITE - LEESON (EPO
BEARINGS	GREASE	SHAFT TYPE	SPECIAL DE	SPECIAL ODE	SHAFT	MATERIAL	FRAME MATERIAL	
DE ODE	POLYREX EM	STANDARD 56	NONE	NONE	303 STAINLESS (C-501)	ROLLED STEEL		
BALL BALL								
6205	6203							

THERMOSTATS	PROTECTORS	WDG RTD's	BRG RTD's	THERMISTORS	CONTROL	SPACE HEATERS
NONE	NOT	NONE	NONE	NONE	FALSE	NA
R1 (ohms/ph)	R2 (ohms/ph)	X1 (ohms/ph)	X2 (ohms/ph)	Xm (ohms/ph)	VIBRATION (in/sec)	FLOAT
0	0	0	0	0	0.150	ODE

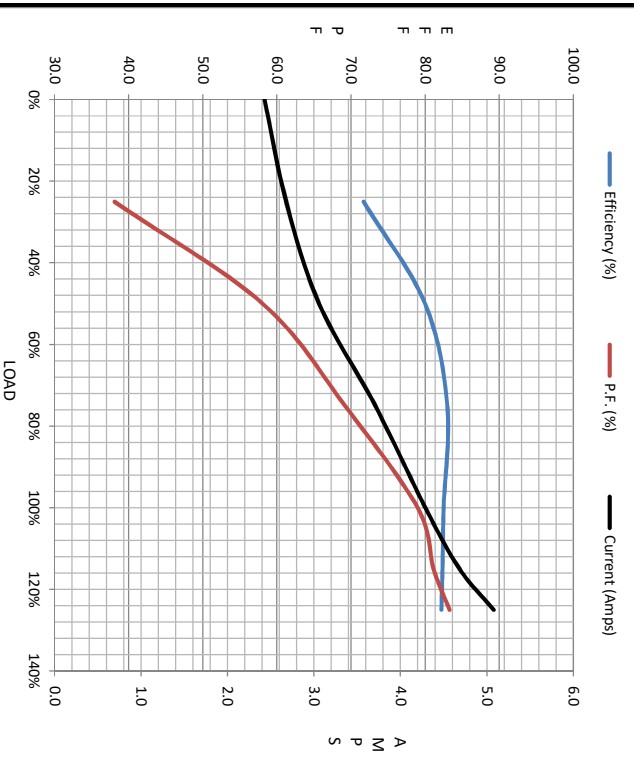
* N O T E S *		INVERTER TORQUE: VARIABLE 10:1	
		INV. HP SPEED RANGE: NONE	
		ENCODER: NONE	
		BRAKE: NONE	
		FT-LB: NA	
		VOLTAGE: NONE	
		NONE PPR	

DATE:	1/17/2018	UL: Y:(LEESON UL REC)	HZ:
-------	-----------	-----------------------	-----



Motor Load Data						
Load	0%	25%	50%	75%	100%	LR
Current (Amps)	2.43	2.68	3.1	3.7	4.3	31.0
Torque (ft-lb)	0.00	2.30	4.5	6.8	9.0	30.0
RPM	1800	1786	1772	1758	1742	0
Efficiency (%)		71.7	80.0	83.0	82.5	
P.F. (%)	9.9	38.1	58.1	69.2	79.0	81.2

Motor Speed Data						Information Block																					
	LR	Pull-Up	BD	Rated	Idle	HP	Sync. RPM	Frame	Enclosure	Construction	Voltage	Frequency	Design	LR Code letter	Service Factor	Temp Rise @ FL	Duty	Ambient	Elevation	Rotor/Shaft wk ²	Ref Wdg	Sound Pressure @ 1M	VFD Rating	Outline Dwg	Conn. Diag	Additional Specifications:	
Speed (RPM)	0	400	1200	1742	1800	3.0	1800	140	TEFC	TFR	208-230/460	60	B	J	1.0	98	CONT	40 °C	1,000	0.16	LB-Fk	999	VARIABLE 10:1	607-0017-800	005010.01		
Current (Amps)	31.0	28.5	18.6	4.3	2.43																						
Torque (ft-lb)	30.0	29.0	35.7	9.0	0.00																						



	R1	R2	X1	X2	Xm
EQUIV CKT (OHMS / PHASE)	0.0000	0.0000	0.0000	0.0000	0.0000

