

PRODUCT INFORMATION PACKET



Model No: C6T34FZ58A

Catalog No: 117937.00

..1HP..3450RPM.56Y.TEFC.208-230/460VAC.3PH.60HZ.CONT.40C.1.15SF.4-BOLT SAE
AA.C6T34FZ58.....NONE.....

Hydraulic



Regal and Leeson are trademarks of Regal Beloit Corporation or one of its affiliated companies.

©2018 Regal Beloit Corporation, All Rights Reserved. MC017097E





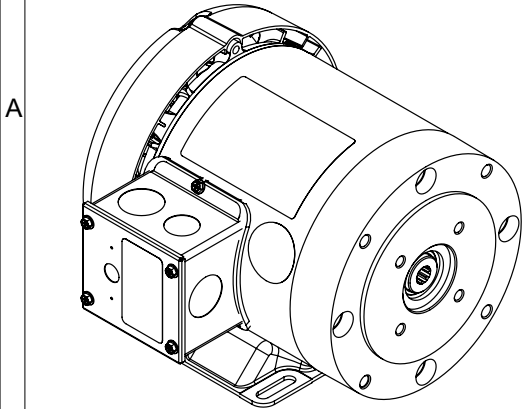
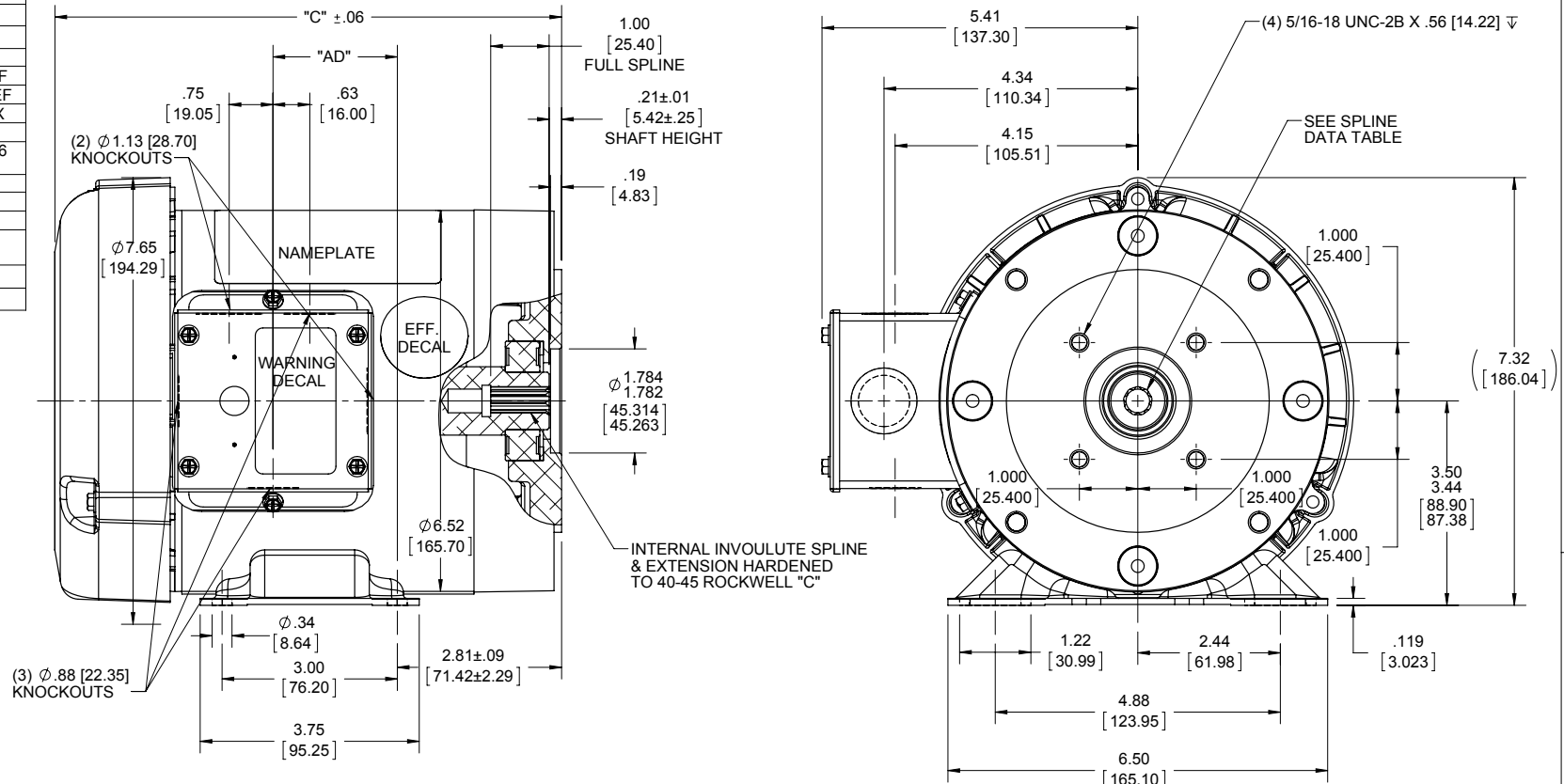
Nameplate Specifications

Output HP	1 Hp	Output KW	0.75 kW
Frequency	60 Hz	Voltage	208-230/460 V
Current	3.4-3.2/1.6 A	Speed	3450 rpm
Service Factor	1.15	Phase	3
Efficiency	77 %	Duty	Continuous
Insulation Class	F	Design Code	B
KVA Code	J	Frame	56YZ
Enclosure	Totally Enclosed Fan Cooled	Overload Protector	No
Ambient Temperature	40 °C	Drive End Bearing Size	6205
Opp Drive End Bearing Size	6203	UL	Recognized
CSA	Y	CE	N
IP Code	43		

Technical Specifications

Electrical Type	Squirrel Cage Inverter Rated	Starting Method	Line Or Inverter
Poles	2	Rotation	Reversible
Mounting	Rigid base	Motor Orientation	HORIZONTAL
Drive End Bearing	BALL	Opp Drive End Bearing	BALL
Frame Material	Rolled Steel	Shaft Type	Single Special Extension
Overall Length	8.67 in	Frame Length	5.00 in
Shaft Diameter	1.000 in	Shaft Extension	SAE SPLINE SHAFT in
Assembly/Box Mounting	F1 ONLY		
Outline Drawing	607-0157-500	Connection Diagram	005010.01

EXTERNAL INVOLUTE SPLINE DATA	
FLAT ROOT SIDE FIT -- CLASS 5 FIT	
NUMBER OF TEETH	9
SPLINE PITCH	20/40
PRESSURE ANGLE	30°
BASE DIAMETER	.3898 [9.9009] REF
PITCH DIAMETER	.4500 [11.4300] REF
MAJOR DIAMETER	.519 [13.183] MAX
FORM DIAMETER	.501 [12.725]
MINOR DIAMETER	.405 [10.287] / .406 [10.312]
CIRCULAR SPACE WIDTH	
MAX EFFECTIVE	.0785 [1.9939]
MIN ACTUAL	.0825 [2.0955]
MAX MESAUREMENT BETWEEN PINS	----
PIN DIAMETER	----
ANSI B92.1-1996 PROVISIONS APPLY	



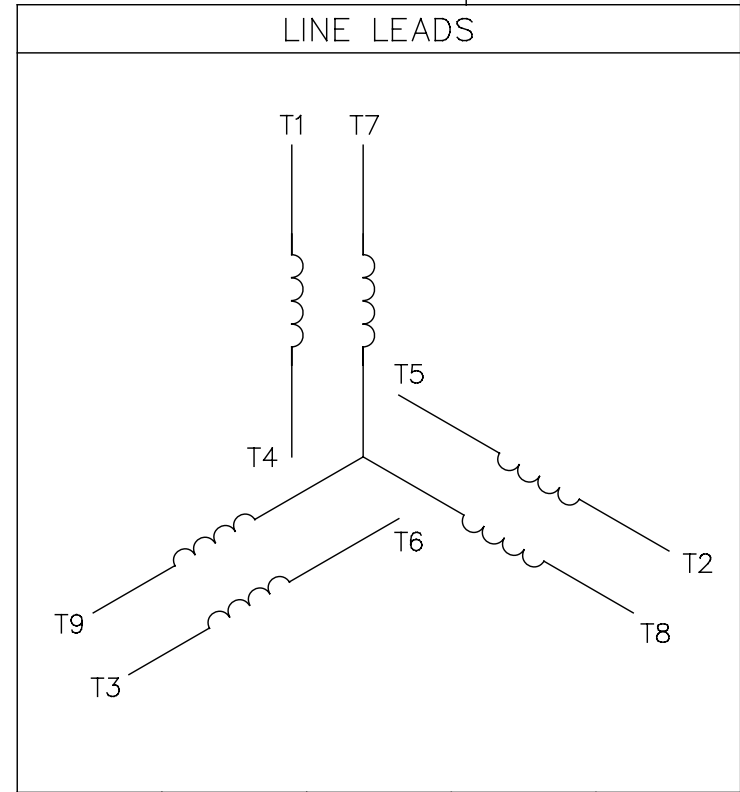
BASE & MOUNTING TAPS TO BE SQUARE & PARALLEL TO EACH OTHER ±.03 [.76] MAX GASKETS THROUGHOUT

DASH NO.	"C"	"AD"
500	8.67 [220.22]	2.13 [54.10]
550	9.17 [232.92]	2.63 [66.80]
600	9.67 [245.62]	3.13 [79.50]
650	10.17 [258.32]	3.63 [92.20]
700	10.67 [271.02]	4.13 [104.90]

DRAWING REVISION F	REVISION BY MITCH VERBICK	DATE 7/7/2014	TOLERANCES UNLESS OTHERWISE SPECIFIED: DEC. INCH mm ANGLE ±0.5° .X ±0.1 [±2.5] .XX ±0.03 [±0.76] .XXX ±0.005 [±0.127] .XXXX ±0.0005 [±0.0127]	DRAWN BY SW	Regal Beloit America, Inc.
ECO ECO-0055175	APPROVED BY	DATE	REMOVE BURRS & BREAK SHARP EDGES: .003/.015 [.076/.381] CORNER FILLETS: .02 [.51] MACHINED SURFACES: .125 INCH 3.2 mm SHOWN IN [BRACKETS]	DATE 10/21/13	
ECO DESCRIPTION FIX DESCRIPTION IN TITLE BLOCK TO 4-BOLT COPYRIGHT REGAL BELOIT AMERICA, INC. ALL RIGHTS RESERVED. PROPRIETARY AND CONFIDENTIAL INFORMATION - THIS DOCUMENT IS THE PROPERTY OF REGAL BELOIT AMERICA, INC. (OWNER) AND CONTAINS OWNER'S PROPRIETARY INFORMATION. ANY PERSON, CORPORATION OR OTHER FIRM RECEIVING IT IS DEEMED, BY RECEIVING IT, TO AGREE THAT IT, AND/OR ANY PART OF IT, SHALL NOT BE DISCLOSED TO ANY PERSON, CORPORATION OR OTHER ENTITY, DUPLICATED, AND/OR USED, EXCEPT AS EXPRESSLY APPROVED IN WRITING IN ADVANCE BY OWNER. THIS DOCUMENT SHALL BE RETURNED TO OWNER UPON REQUEST. IT MAY BE SUBJECT TO CERTAIN RESTRICTIONS UNDER APPLICABLE EXPORT CONTROL LAWS AND REGULATIONS.			REFERENCE 028784	APPROVED BY	DESCRIPTION OUTLINE T.E.F.C - RIGID - SAE AA 4-BOLT PUMP
			THIRD ANGLE PROJECTION	DATE	MATERIAL
			SIZE B	DRAWING NUMBER 607-0157	PROCESS/FINISH STOCK
					SHEET 1 OF 1

005010-01

VIEW FROM OUTSIDE OF MOTOR AT SWITCH END.



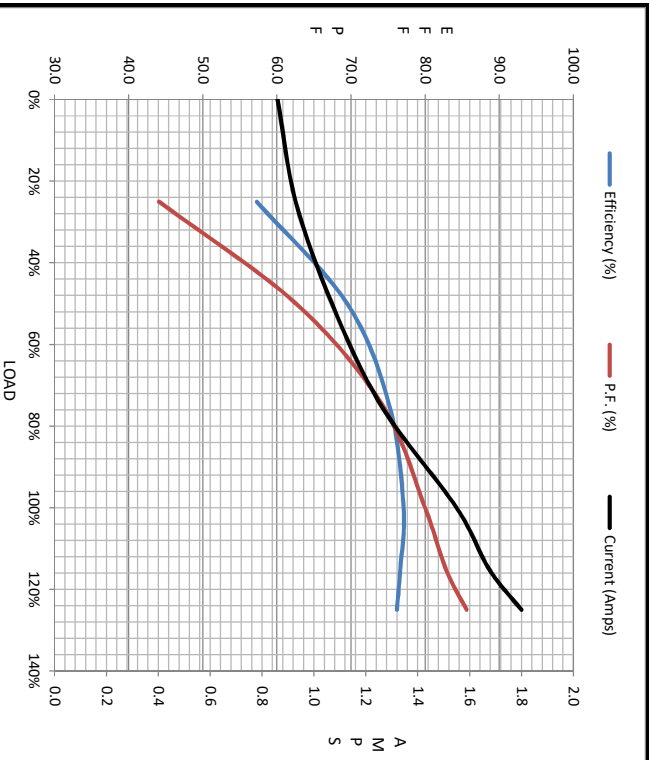
VOLTAGE	L1	L2	L3	JOIN & INSULATE
HIGH	T1	T2	T3	(T4,T7) (T5,T8) (T6,T9)
LOW	T1,T7	T2,T8	T3,T9	T4,T5,T6

				TOLERANCES UNLESS SPECIFIED		Regal Beloit America, Inc.		DRAWN RDW 04/12/02		
				DEC.	INCHES			CHK		
				.X	±.1			APPD		
				.XX	±.01			SCALE 1=1		
				.XXX	±.005	REF FIG.2-51				
A	UPDATED TO REGAL LOGO	SAJ 06/26/15	AJY	.XXXX	±.0005	MAT'L. DECAL - 004014		FMF		
NO.	REVISION	BY & DATE	CHK	ANG	±1/2"	FINISH		PREV		
THIS DRAWING IN DESIGN AND DETAIL IS OUR PROPERTY AND MUST NOT BE USED EXCEPT IN CONNECTION WITH OUR WORK ALL RIGHTS OF DESIGN AND INVENTION ARE RESERVED THIS IS AN ELECTRONICALLY GENERATED DOCUMENT - DO NOT SCALE THIS PRINT				RFP	04/12/02	CAD FILE 00501001		SIZE	DRAWING NO.	REV.
				DIST BRF-NLV				A	005010-01	A



Motor Load Data									
Load	0%	25%	50%	75%	100%	115%	125%	LR	
Current (Amps)	0.86	0.93	1.07	1.26	1.55	1.68	1.80	10.0	
Torque (ft-lb)	0.00	0.37	0.74	1.13	1.55	1.74	1.93	3.6	
RPM	3600	3563	3530	3495	3460	3440	3411	0	
Efficiency (%)		57.3	69.5	75.2	77.1	76.7	76.2		
P.F. (%)	23.1	44.1	62.6	74.3	80.0	82.8	85.6	0.0	

Motor Speed Data						Information Block																											
	LR	Pull-Up	BD	Rated	Idle	HP	Sync. RPM	Frame	Enclosure	Construction	Voltage	Frequency	Design	LR Code letter	Service Factor	Temp Rise @ FL	Duty	Ambient	Elevation	Rotor/Shaft wk ²	Ref Wdg	Sound Pressure @ 1M	VFD Rating	Outline Dwg	Conn. Diag	Additional Specifications:	EQUIV CKT (OHMS / PHASE)	R1	R2	X1	X2	Xm	
Speed (RPM)	0	200	2600	3460	3600	1.0	3600	140	TEFC	TFR	208-230/460	60	B	J	1.15	53	CONT	40	1,000	0.03	T632161 FR	0	CONSTANT 10:1	607-0157-500	005010.01		0.0000	0.0000	0.0000	0.0000	0.0000		
Current (Amps)	10.0	9.2	6.0	1.55	0.86																												
Torque (ft-lb)	3.6	3.5	5.0	1.55	0.00																												



	R1	R2	X1	X2	Xm
EQUIV CKT (OHMS / PHASE)	0.0000	0.0000	0.0000	0.0000	0.0000
Additional Specifications:					
Outline Dwg					
Conn. Diag					
Additional Specifications:					
Outline Dwg					
Conn. Diag					
Additional Specifications:					
Outline Dwg					
Conn. Diag					
Additional Specifications:					
Outline Dwg					
Conn. Diag					
Additional Specifications:					
Outline Dwg					
Conn. Diag					
Additional Specifications:					
Outline Dwg					
Conn. Diag					
Additional Specifications:					
Outline Dwg					
Conn. Diag					
Additional Specifications:					
Outline Dwg					
Conn. Diag					
Additional Specifications:					
Outline Dwg					
Conn. Diag					
Additional Specifications:					
Outline Dwg					
Conn. Diag					
Additional Specifications:					
Outline Dwg					
Conn. Diag					
Additional Specifications:					
Outline Dwg					
Conn. Diag					
Additional Specifications:					
Outline Dwg					
Conn. Diag					
Additional Specifications:					
Outline Dwg					
Conn. Diag					
Additional Specifications:					
Outline Dwg					
Conn. Diag					
Additional Specifications:					
Outline Dwg					
Conn. Diag					
Additional Specifications:					
Outline Dwg					
Conn. Diag					
Additional Specifications:					
Outline Dwg					
Conn. Diag					
Additional Specifications:					
Outline Dwg					
Conn. Diag					
Additional Specifications:					
Outline Dwg					
Conn. Diag					
Additional Specifications:					
Outline Dwg					
Conn. Diag					
Additional Specifications:					
Outline Dwg					
Conn. Diag					
Additional Specifications:					
Outline Dwg					
Conn. Diag					
Additional Specifications:					
Outline Dwg					
Conn. Diag					
Additional Specifications:					
Outline Dwg					
Conn. Diag					
Additional Specifications:					
Outline Dwg					
Conn. Diag					
Additional Specifications:					
Outline Dwg					
Conn. Diag					
Additional Specifications:					
Outline Dwg					
Conn. Diag					
Additional Specifications:					
Outline Dwg					
Conn. Diag					
Additional Specifications:					
Outline Dwg					
Conn. Diag					
Additional Specifications:					
Outline Dwg					
Conn. Diag					
Additional Specifications:					
Outline Dwg					
Conn. Diag					
Additional Specifications:					
Outline Dwg					
Conn. Diag					
Additional Specifications:					
Outline Dwg					
Conn. Diag					
Additional Specifications:					
Outline Dwg					
Conn. Diag					
Additional Specifications:					
Outline Dwg					
Conn. Diag					
Additional Specifications:					
Outline Dwg					
Conn. Diag					
Additional Specifications:					
Outline Dwg					
Conn. Diag					
Additional Specifications:					
Outline Dwg					
Conn. Diag					
Additional Specifications:					
Outline Dwg					
Conn. Diag					
Additional Specifications:					
Outline Dwg					
Conn. Diag					
Additional Specifications:					
Outline Dwg					
Conn. Diag					
Additional Specifications:					
Outline Dwg					
Conn. Diag					
Additional Specifications:					
Outline Dwg					
Conn. Diag					
Additional Specifications:					
Outline Dwg					
Conn. Diag					
Additional Specifications:					
Outline Dwg					
Conn. Diag					
Additional Specifications:					
Outline Dwg					
Conn. Diag					
Additional Specifications:					
Outline Dwg					
Conn. Diag					
Additional Specifications:					
Outline Dwg					
Conn. Diag					
Additional Specifications:					
Outline Dwg					
Conn. Diag					
Additional Specifications:					
Outline Dwg					
Conn. Diag					
Additional Specifications:					
Outline Dwg					
Conn. Diag					
Additional Specifications:					
Outline Dwg					
Conn. Diag					
Additional Specifications:					
Outline Dwg					
Conn. Diag					
Additional Specifications:					
Outline Dwg					
Conn. Diag					
Additional Specifications:					
Outline Dwg					
Conn. Diag					
Additional Specifications:					
Outline Dwg					
Conn. Diag					
Additional Specifications:					
Outline Dwg					
Conn. Diag					
Additional Specifications:					
Outline Dwg					
Conn. Diag					
Additional Specifications:					
Outline Dwg					
Conn. Diag					
Additional Specifications:					
Outline Dwg					
Conn. Diag					
Additional Specifications:					
Outline Dwg					
Conn. Diag					
Additional Specifications:					
Outline Dwg					
Conn. Diag					
Additional Specifications:					
Outline Dwg					
Conn. Diag					
Additional Specifications:					
Outline Dwg					
Conn. Diag					
Additional Specifications:					
Outline Dwg					
Conn. Diag					
Additional Specifications:					
Outline Dwg					
Conn. Diag					
Additional Specifications:					
Outline Dwg					
Conn. Diag					
Additional Specifications:					
Outline Dwg					
Conn. Diag					
Additional Specifications:					
Outline Dwg					
Conn. Diag					
Additional Specifications:					
Outline Dwg					
Conn. Diag					
Additional Specifications:					
Outline Dwg					
Conn. Diag					
Additional Specifications:					
Outline Dwg					
Conn. Diag					
Additional Specifications:					
Outline Dwg					
Conn. Diag					
Additional Specifications:					
Outline Dwg					
Conn. Diag					
Additional Specifications:					
Outline Dwg					
Conn. Diag					
Additional Specifications:					
Outline Dwg					
Conn. Diag					
Additional Specifications:					
Outline Dwg					
Conn. Diag					
Additional Specifications:					
Outline Dwg					
Conn. Diag					
Additional Specifications:					
Outline Dwg					
Conn. Diag					
Additional Specifications:					
Outline Dwg					
Conn. Diag					
Additional Specifications:					
Outline Dwg					
Conn. Diag		</			