

PRODUCT INFORMATION PACKET



Model No: C6T34WK32A

Catalog No: 119463.00

119463.00..3HP..3490RPM.56J.TEFC.230/460V.3PH.60HZ.CONT.40C.1.15SF.RIGID C
FACE.C6T34WK32.....WASHDOWN JET PUMP.NONE.....

Jet Pump



Regal and Leeson are trademarks of Regal Beloit Corporation or one of its affiliated companies.

©2018 Regal Beloit Corporation, All Rights Reserved. MC017097E



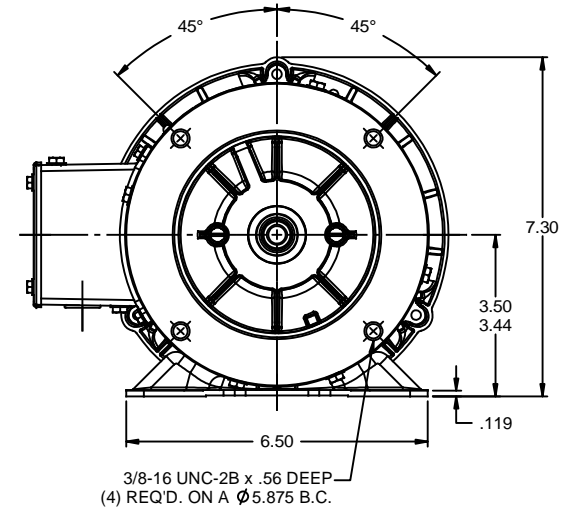
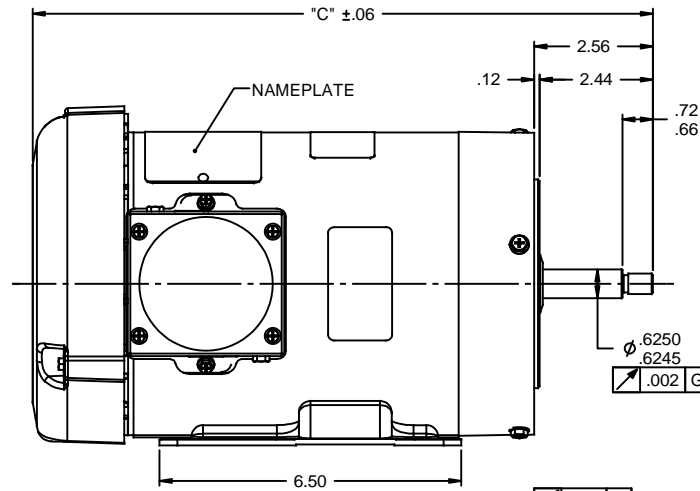
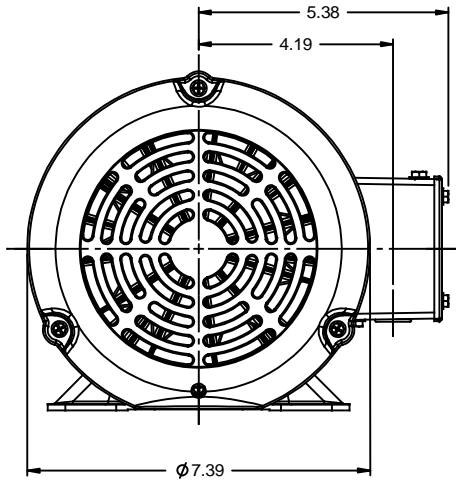


Nameplate Specifications

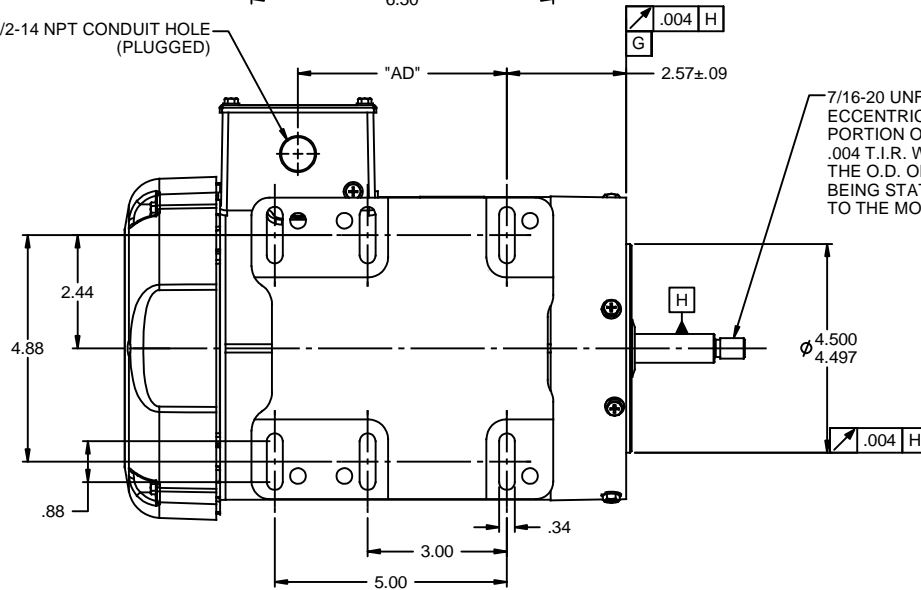
Output HP	3 Hp	Output KW	2.2 kW
Frequency	60 Hz	Voltage	208-230/460 V
Current	8.8-8.0/4.0 A	Speed	3490 rpm
Service Factor	1.15	Phase	3
Efficiency	86.5 %	Duty	Continuous
Insulation Class	F	Design Code	B
KVA Code	N	Frame	56J
Enclosure	Totally Enclosed Fan Cooled	Overload Protector	No
Ambient Temperature	40 °C	Drive End Bearing Size	6205
Opp Drive End Bearing Size	6203	UL	Recognized
CSA	Y	CE	Y
IP Code	55		

Technical Specifications

Electrical Type	Squirrel Cage Induction Run	Starting Method	Across The Line
Poles	2	Rotation	Reversible
Mounting	Rigid base	Motor Orientation	HORIZONTAL
Drive End Bearing	BALL	Opp Drive End Bearing	BALL
Frame Material	Rolled Steel	Shaft Type	J
Overall Length	14.37 in	Frame Length	8.00 in
Shaft Diameter	0.625 in	Shaft Extension	2.44 in
Assembly/Box Mounting	F1 ONLY		
Outline Drawing	607-0016-800	Connection Diagram	005010.01



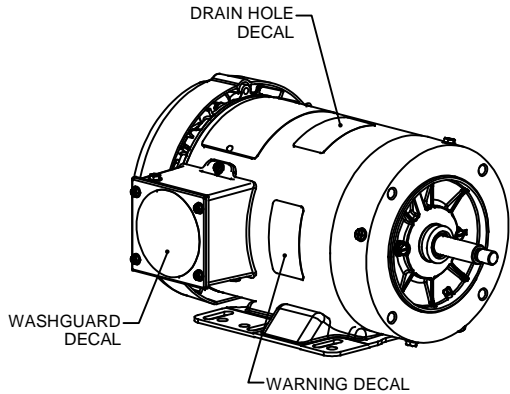
(1) 1/2-14 NPT CONDUIT HOLE (PLUGGED)



3/8-16 UNC-2B x .56 DEEP
(4) REQ'D. ON A Ø5.875 B.C.

WASHGUARD MOTOR

- SPECIAL FEATURES:
1. SHAFT SEALS & V-RING.
 2. PLUGGED DRAIN HOLES IN ENDBELLS & CONDUIT BOX.
 3. BUNA-N GASKETS THROUGHOUT.
 4. STAINLESS STEEL SHAFT, HARDWARE & NAMEPLATE.

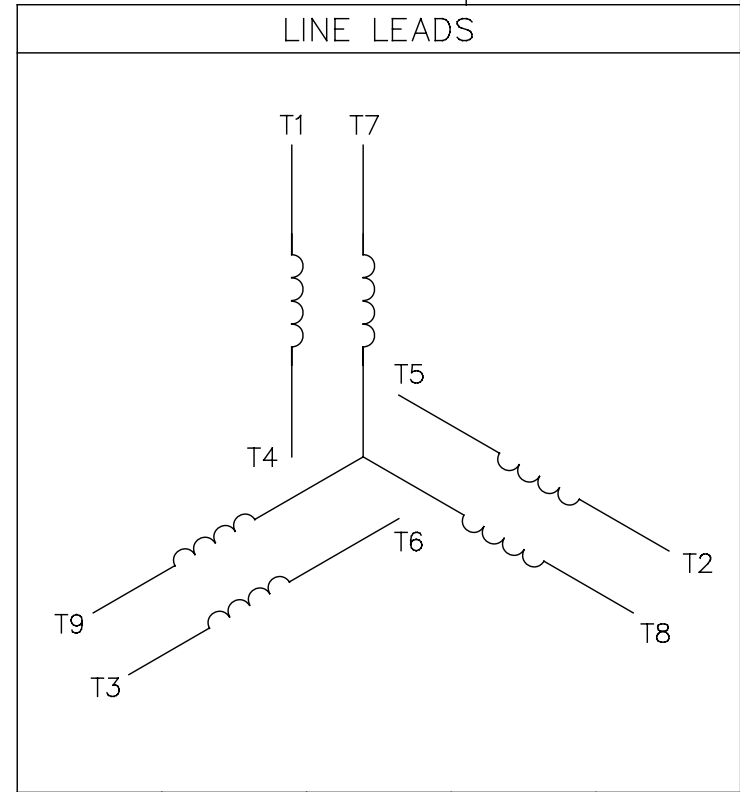
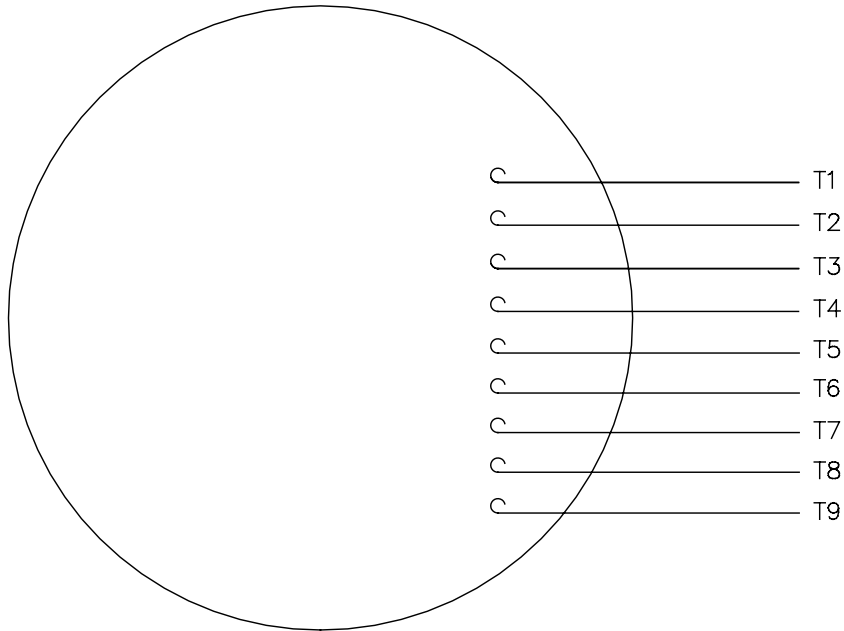


DASH NO.	"C"	"AD"
650	12.87	4.00
700	13.37	4.50
750	13.87	5.00
800	14.37	5.50

TOLERANCES UNLESS SPECIFIED		ELECTRIC MOTORS GEARMOTORS AND DRIVES		DRAWN PG 02/14/11				
DEC	INCHES			CHK				
X	±.1			APPR				
.XX	±.03			SCALE 3:8				
.XXX	±.005			REF 028893				
.XXXX	±.0005	MATL WASHGUARD - JET PUMP	FMF 116783.00	PAGE 116783.00				
NO	REVISION	BY & DATE	CHK ANG ±1/2"	FINISH	PREV	SIZE	DRAWING NO	REV
	THIRD ANGLE PROJECTION		RFP			B	607-0016	
			NETWORK FILE NAME	607-0016				

005010-01

VIEW FROM OUTSIDE OF MOTOR AT SWITCH END.



VOLTAGE	L1	L2	L3	JOIN & INSULATE
HIGH	T1	T2	T3	(T4,T7) (T5,T8) (T6,T9)
LOW	T1,T7	T2,T8	T3,T9	T4,T5,T6

				TOLERANCES UNLESS SPECIFIED		Regal Beloit America, Inc.		DRAWN RDW 04/12/02				
				DEC.	INCHES			CHK				
				.X	±.1			APPD				
				.XX	±.01			SCALE 1=1				
				.XXX	±.005	TITLE		REF FIG.2-51				
A	UPDATED TO REGAL LOGO			SAJ	06/26/15	AJY	.XXXX	±.0005	MAT'L. DECAL - 004014	FMF		
NO.	REVISION			BY & DATE	CHK	ANG	±1/2"	FINISH	PREV			
THIS DRAWING IN DESIGN AND DETAIL IS OUR PROPERTY AND MUST NOT BE USED EXCEPT IN CONNECTION WITH OUR WORK ALL RIGHTS OF DESIGN AND INVENTION ARE RESERVED THIS IS AN ELECTRONICALLY GENERATED DOCUMENT - DO NOT SCALE THIS PRINT				RFP	04/12/02		CAD FILE	00501001		SIZE	DRAWING NO.	REV.
				DIST	BRF-NLV			A	005010-01		A	



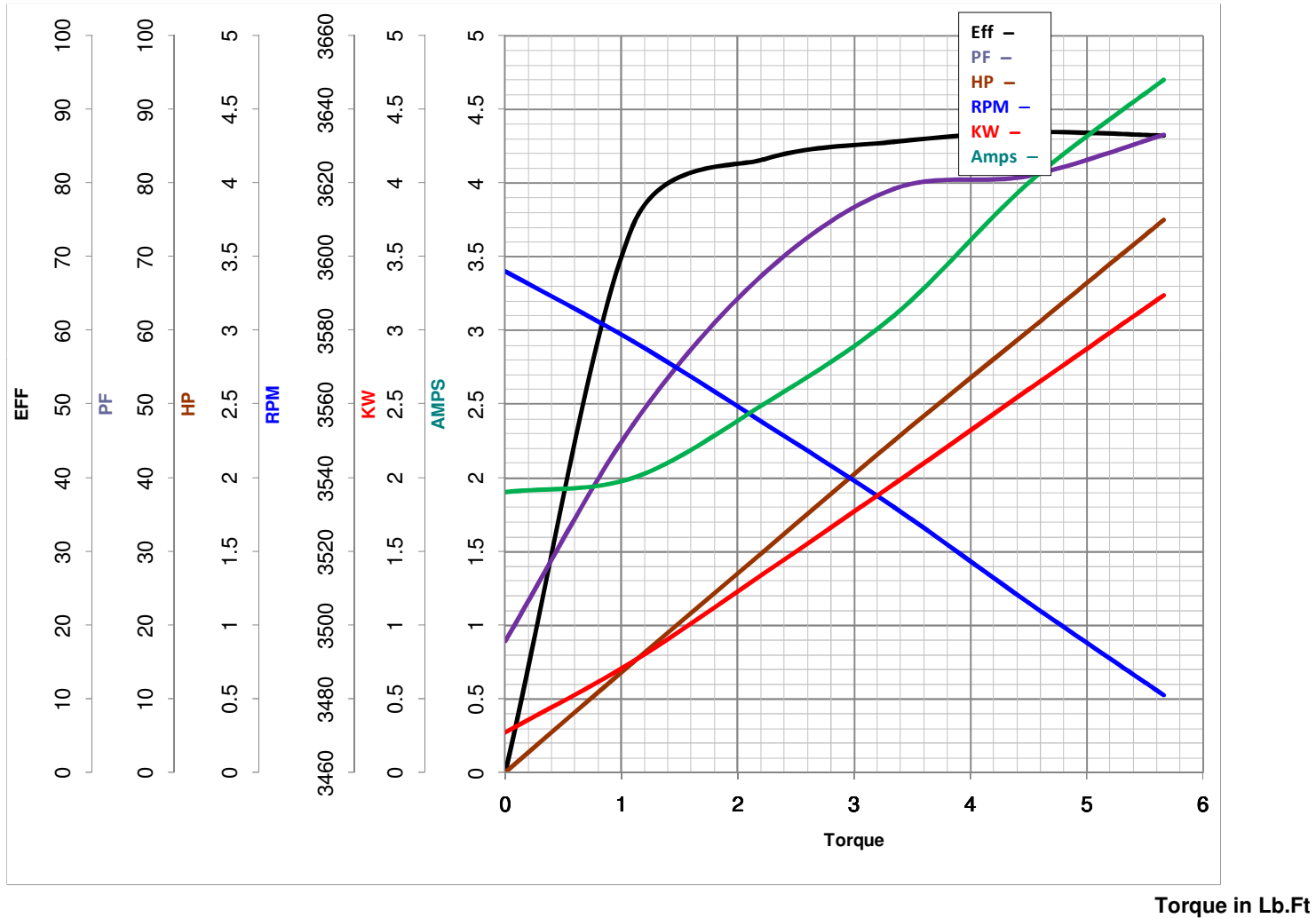
LEESON ELECTRIC CORPORATION
 TYPICAL PERFORMANCE CURVE for AC MOTOR

Model No 119463.00

Catalog No 119463.00

Curve at 460 Volts HP 3&2 PHASE 3
60 HZ
3 HP VOLTS 208-230/460&190/380

HZ 60&50 RPM 3490&2890



FL TORQUE 4.5 Lb.Ft
 BD TORQUE 20.8 Lb.Ft
 LR TORQUE 17.97 Lb.Ft

FL AMPS 8.8-8/4
 PU TORQUE 17.5 Lb.Ft
 LR AMPS 41

WINDING T632209-3

Date 5/28/2018