

PRODUCT INFORMATION PACKET



Model No: C6T34XK24A

Catalog No: 119443.00

..3HP..3600RPM.56C.EPFC.230/460V.3PH.60HZ.CONT.40C.1.00SF.RIGID C FACE.....GENERAL
PURPOSE.AUTO.....

Explosion Proof



Regal and Leeson are trademarks of Regal Beloit Corporation or one of its affiliated companies.

©2018 Regal Beloit Corporation, All Rights Reserved. MC017097E



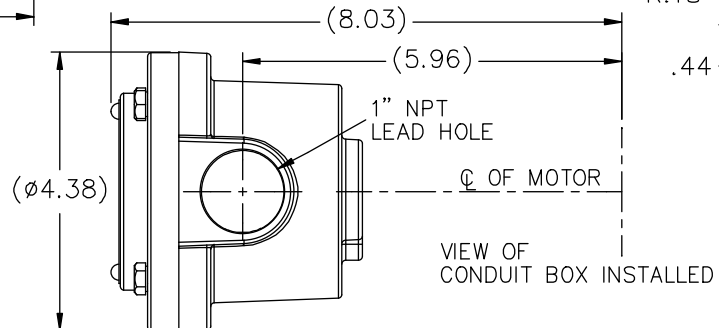
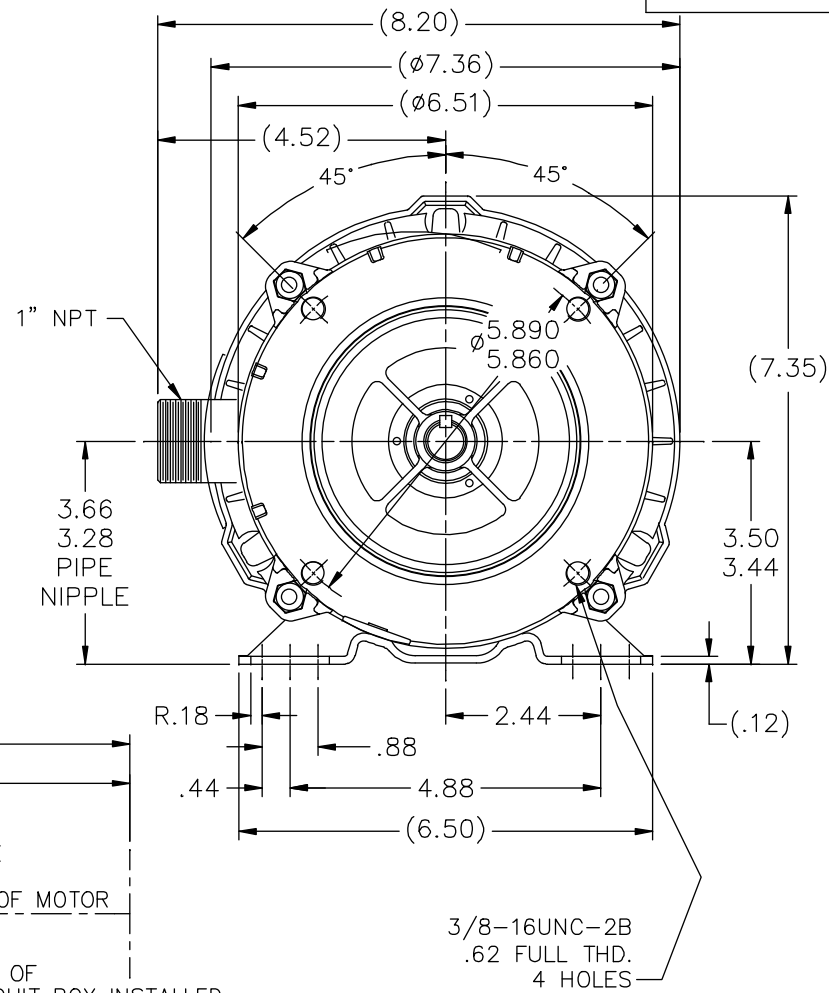
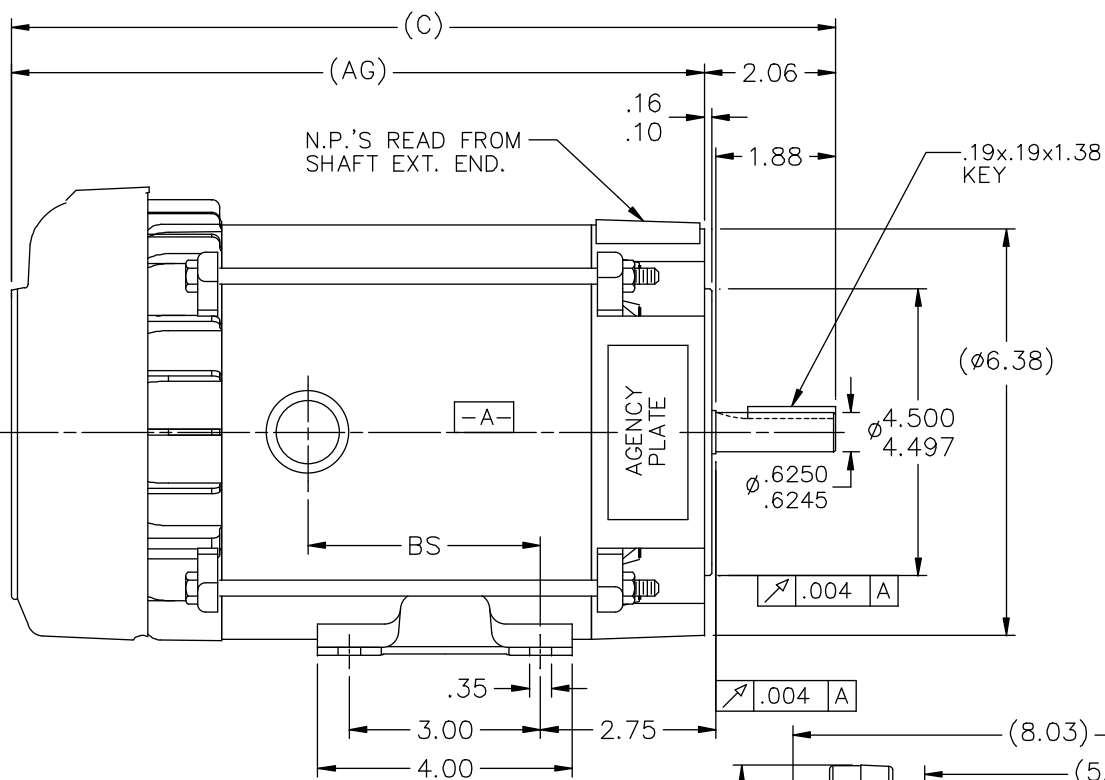


Nameplate Specifications

Output HP	3 Hp	Output KW	2.2 kW
Frequency	60 Hz	Voltage	230/460 V
Current	7.6/3.8 A	Speed	3450 rpm
Service Factor	1	Phase	3
Efficiency	87.5 %	Duty	Continuous
Insulation Class	B	Design Code	B
KVA Code	M	Frame	56C
Enclosure	Explosion Proof Fan cooled	Overload Protector	No
Ambient Temperature	40 °C	Drive End Bearing Size	6205
Opp Drive End Bearing Size	6203	UL	Recognized
CSA	Y	CE	N
IP Code	54		

Technical Specifications

Electrical Type	Squirrel Cage Induction Run	Starting Method	Across The Line
Poles	2	Rotation	Reversible
Mounting	Rigid base	Motor Orientation	HORIZONTAL
Drive End Bearing	BALL	Opp Drive End Bearing	BALL
Frame Material	Rolled Steel	Shaft Type	NEMA 56
Overall Length	15.94 in	Frame Length	8.81 in
Shaft Diameter	0.625 in	Shaft Extension	1.88 in
Assembly/Box Mounting	F1 ONLY		
Outline Drawing	B-104191LE-881	Connection Diagram	A-EE7308T-LE

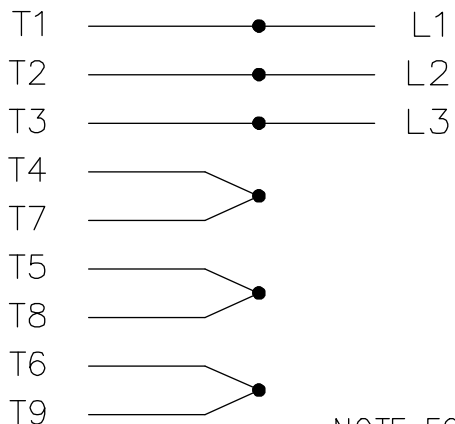


DASH	(C)	(AG)	BS		
631	13.44	11.38	4.15		
681	13.94	11.88	4.65		
731	14.44	12.38	5.15		
781	14.94	12.88	5.65		
831	15.44	13.38	6.15		
881	15.94	13.88	6.65		
931	16.44	14.38	7.15		
981	16.94	14.88	7.65		

		TOLERANCES UNLESS SPECIFIED		LEESON		ELECTRIC MOTORS GEARMOTORS AND DRIVES		DRAWN HLB 05-29-2002				
		DEC.	INCHES					CHK	ML 05-31-2002			
		.X	±.1					APPD	SAS 05-31-2002			
3	COND. BOX INSTALLED VIEW UPDATED PER ECR-0044571	UD	10/15/13	ST	.XX	±.03	TITLE	SCALE	1=2			
2	REVISED C'BOX PER CN 40784A	JJB	02/26/2007	ML	.XXX	±.005	OUTLINE - 'C' FACE	REF				
1	NEW DRAWING	HLB	05-31-2002		.XXXX	±.0005	56 FR. - EXP. PR.	FMF				
NO.	REVISION	BY & DATE	CHK	ANG	FINISH		PREV					
THIS DRAWING IN DESIGN AND DETAIL IS OUR PROPERTY AND MUST NOT BE USED EXCEPT IN CONNECTION WITH OUR WORK ALL RIGHTS OF DESIGN AND INVENTION ARE RESERVED THIS IS AN ELECTRONICALLY GENERATED DOCUMENT - DO NOT SCALE THIS PRINT					RFP	CAD FILE	104191LE	SIZE	DRAWING NO.	PAGE	OF	REV.
					DIST	WP		B	104191LE			3

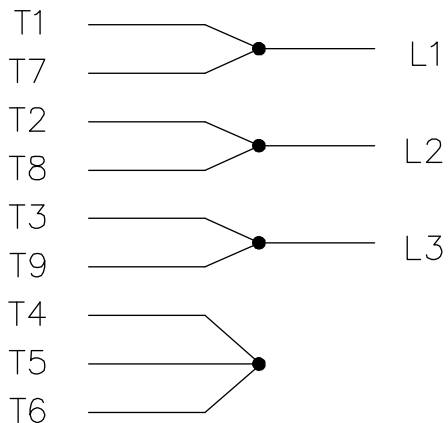
THREE PHASE
DUAL VOLTAGE MOTOR

HIGH VOLTAGE

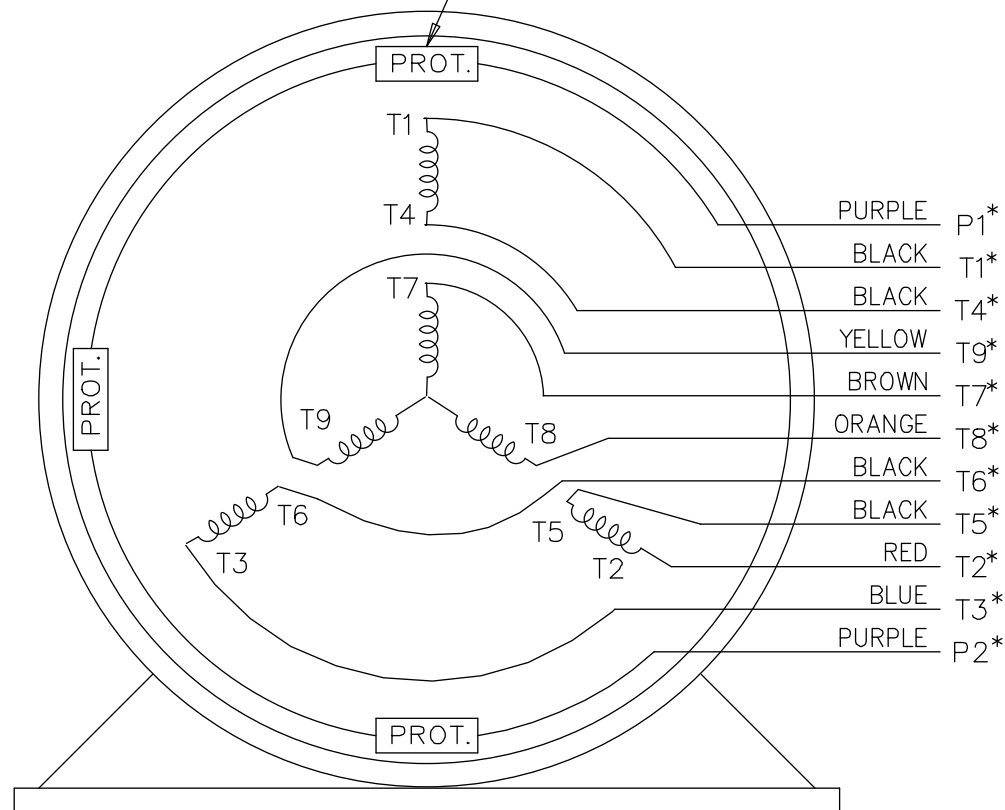


NOTE FOR FACTORY USE ONLY:
 TO SURGE TEST FOR COMMON CONNECT:
 HIGH VOLT: CONNECT P1 TO T1
 THEN P2 TO L1
 LOW VOLT: CONNECT P1 TO T1 & T7,
 THEN P2 TO L1

LOW VOLTAGE



THREMO-PROTECTORS
CONNECTED IN SERIES.



VIEW OF TERMINAL END

* USE LEADS AS PER PLANT STANDARD IRRWSPECTIVE OF THEIR COLOUR.

NO.	REVISION	BY & DATE	CHK	ANG	TOLERANCES UNLESS SPECIFIED		FINISH	DRAWN TJB 05-07-2002				
					DEC.	INCHES						
05	ADDED * NOTE PER ECN # 26921	UD 01-30-2013	JD	DEC.	INCHES			CHK ML 05-08-2002				
04	ADDED COLORS TO "T & P" LEADS CN 40494	MSG 08-08-2006	ML	.X	±.1			APPD TB 05-08-2002				
03	RE-ISSUE	NJS 04-21-2004	JET	.XX	±.02			SCALE 1=1				
02	REDRAWN	TAT 04-20-2004	ML	.XXX	±.005			REF				
01	NEW DRAWING CN 34708	TJB 05-08-2002	ML	.XXXX	±.0005			FMF				
					±7'30"			PREV				
THIS DRAWING IN DESIGN AND DETAIL IS OUR PROPERTY AND MUST NOT BE USED EXCEPT IN CONNECTION WITH OUR WORK ALL RIGHTS OF DESIGN AND INVENTION ARE RESERVED THIS IS AN ELECTRONICALLY GENERATED DOCUMENT - DO NOT SCALE THIS PRINT							RFP	CAD FILE EE7308T_LE	SIZE A	DRAWING NO. EE7308T-LE	PAGE OF	REV. 05
							DIST LB-WP-LE					



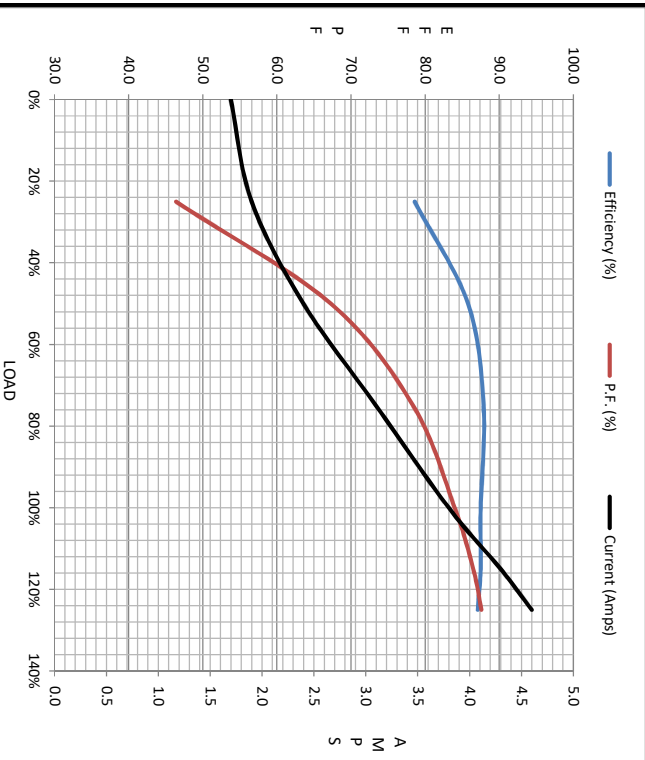
ELECTRIC MOTORS
GEARMOTORS
AND DRIVES

TITLE CONNECTION DIAGRAM
3 PHASE - DUAL VOLTAGE MOTOR



Motor Load Data									
Load	0%	25%	50%	75%	100%	115%	125%	LR	
Current (Amps)	1.70	1.90	2.40	3.1	3.8	4.3	4.6	36.9	
Torque (ft-lb)	0.00	1.10	2.22	3.4	4.5	5.2	5.7	17.3	
RPM	3600	3577	3555	3530	3505	3485	3475	0	
Efficiency (%)		78.6	85.8	87.9	87.5	87.5	87.1		
P.F. (%)	11.0	46.4	67.3	78.4	84.0	86.5	87.6	71.5	

Motor Speed Data						Information Block																					
Speed (RPM)	LR	Pull-Up	BD	Rated	Idle	HP	Sync. RPM	Frame	Enclosure	Construction	Voltage	Frequency	Design	LR Code letter	Service Factor	Temp Rise @ FL	Duty	Ambient	Elevation	Rotor/Shaft wk ²	Ref Wdg	Sound Pressure @ 1M	VFD Rating	Outline Dwg	Conn. Diag	Additional Specifications:	
0		230	2385	3505	3600	3.0	3600	145	TEFC	TFR	230/460#190/380	60	A	M	1.15	57	CONT	40 °C	1,000 feet	0.05	Z12175 FR	68	NONE	B-104191LE-881	A-EE7308T-LE		
Current (Amps)	36.9	38.3	27.2	3.8	1.70																						
Torque (ft-lb)	17.3	16.6	22.7	4.5	0.00																						



EQUIV CKT (OHMS / PHASE)			
R1	R2	X1	Xm
0.0000	0.0000	0.0000	0.0000

