

# PRODUCT INFORMATION PACKET



Model No: C6T46DR8D

Catalog No: 111963.00

..1 1/2-.67HP..1725/1140RPM.56H.DP.460V.3PH.60HZ.CONT.40C.1.0SF.RESIL.C6T46DR8D.....FAN & BLOWER.NOT.....

2 Speed



Regal and Leeson are trademarks of Regal Beloit Corporation or one of its affiliated companies.

©2018 Regal Beloit Corporation, All Rights Reserved. MC017097E





### Nameplate Specifications

Output HP	<b>1.50 Hp</b>	Output KW	<b>1.1 kW</b>
Frequency	<b>60 Hz</b>	Voltage	<b>460 V</b>
Current	<b>2.5 A</b>	Speed	<b>1725 rpm</b>
Service Factor	<b>1</b>	Phase	<b>3</b>
Efficiency	<b>79.3 %</b>	Duty	<b>Continuous</b>
Insulation Class	<b>B</b>	Design Code	<b>NO DESIGN CODE</b>
KVA Code	<b>K</b>	Frame	<b>56H</b>
Enclosure	<b>Drip Proof</b>	Overload Protector	<b>No</b>
Ambient Temperature	<b>40 °C</b>	Drive End Bearing Size	<b>6203</b>
Opp Drive End Bearing Size	<b>6203</b>	UL	<b>Recognized</b>
CSA	<b>Y</b>	CE	<b>N</b>
IP Code	<b>22</b>		

### Technical Specifications

Electrical Type	<b>Squirrel Cage Induction Run</b>	Starting Method	<b>Across The Line</b>
Poles	<b>4</b>	Rotation	<b>Reversible</b>
Mounting	<b>Resilient Base</b>	Motor Orientation	<b>HORIZONTAL</b>
Drive End Bearing	<b>BALL</b>	Opp Drive End Bearing	<b>BALL</b>
Frame Material	<b>Rolled Steel</b>	Shaft Type	<b>NEMA 56</b>
Overall Length	<b>12.82 in</b>	Frame Length	<b>7.00 in</b>
Shaft Diameter	<b>0.625 in</b>	Shaft Extension	<b>1.88 in</b>
Assembly/Box Mounting	<b>F1 ONLY</b>		
Outline Drawing	<b>029055-700</b>	Connection Diagram	<b>005046.01</b>

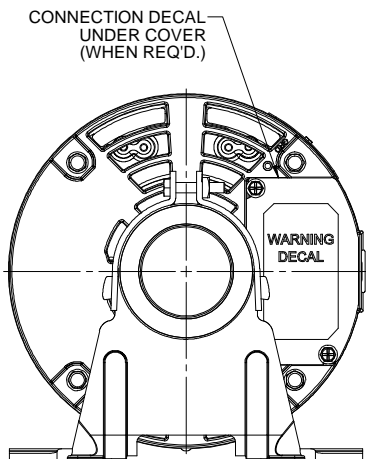
4

3

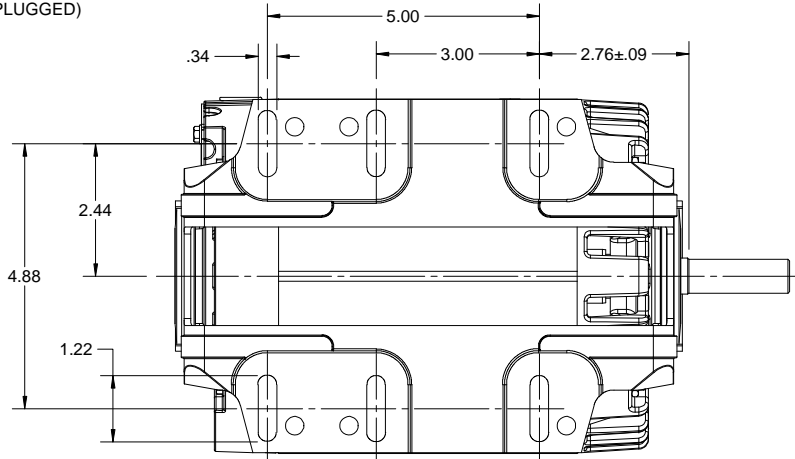
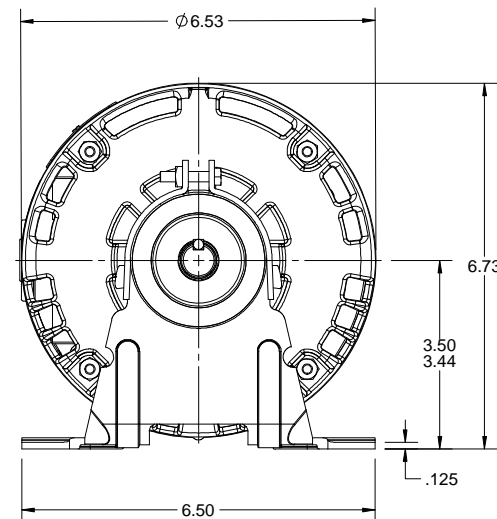
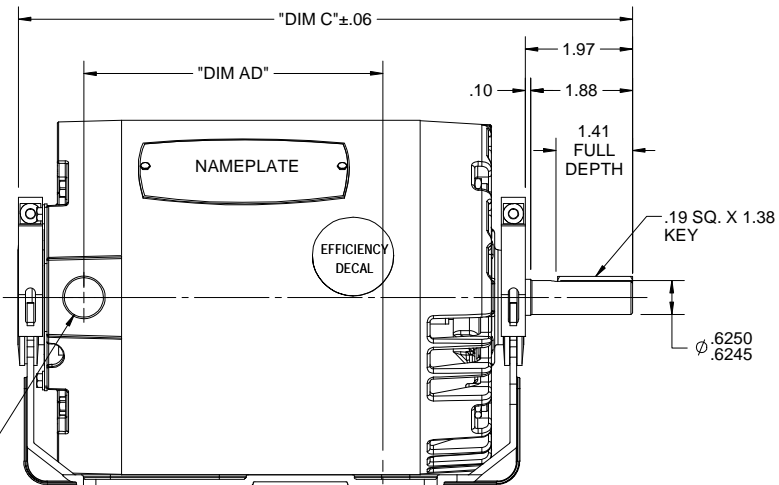
Uncontrolled Copy

2

1



1/2-14 NPT (PLUGGED)



DASH NO.	"DIM C"	"DIM AD"
-550	11.29	5.50
-600	11.79	6.00
-650	12.29	6.50
-700	12.79	7.00
-750	13.29	7.50

DRAWING REVISION A	REVISION BY P. GASSER	DATE 07/27/2017
ECO ECO-0128249	APPROVED BY	DATE
ECO DESCRIPTION <b>RELEASED FOR PRODUCTION</b>		
<small>COPYRIGHT REGAL BELOIT AMERICA, INC. ALL RIGHTS RESERVED.          PROPRIETARY AND CONFIDENTIAL INFORMATION - THIS DOCUMENT IS THE PROPERTY OF          REGAL BELOIT AMERICA, INC. (OWNER) AND CONTAINS OWNER'S PROPRIETARY          INFORMATION. ANY PERSON, CORPORATION OR OTHER FIRM RECEIVING IT IS DEEMED,          BY RECEIVING IT, TO AGREE THAT IT, AND/OR ANY PART OF IT, SHALL NOT BE DISCLOSED          TO ANY PERSON, CORPORATION OR OTHER ENTITY, DUPLICATED, AND/OR USED, EXCEPT          AS EXPRESSLY APPROVED IN WRITING IN ADVANCE BY OWNER. THIS DOCUMENT SHALL          BE RETURNED TO OWNER UPON REQUEST. IT MAY BE SUBJECT TO CERTAIN          RESTRICTIONS UNDER APPLICABLE EXPORT CONTROL LAWS AND REGULATIONS.</small>		

TOLERANCES UNLESS OTHERWISE SPECIFIED:			
DEC.	INCH	mm	ANGLE
.X	±0.1	[±2.5]	±0.5°
.XX	±0.03	[±0.76]	
.XXX	±0.005	[±0.127]	
.XXXX	±0.0005	[±0.0127]	
REMOVE BURRS & BREAK SHARP			
EDGES: .003/.015 [.076/.381] X 45°			
CORNER FILLETS: R.02 [.51]			
MACHINED SURFACES: 125/3.2			
mm SHOWN IN [BRACKETS]			

DRAWN BY P. GASSER	DATE 07/21/2017
APPROVED BY	DATE
REFERENCE	THIRD ANGLE PROJECTION

<b>REGAL</b> ™ Regal Beloit America, Inc.	
DESCRIPTION <b>OUTLINE</b> 56-FRAME, DRIP PROOF	
MATERIAL	PROCESS/FINISH
SIZE <b>B</b>	DRAWING NUMBER <b>029055</b>
	SHEET 1 OF 1

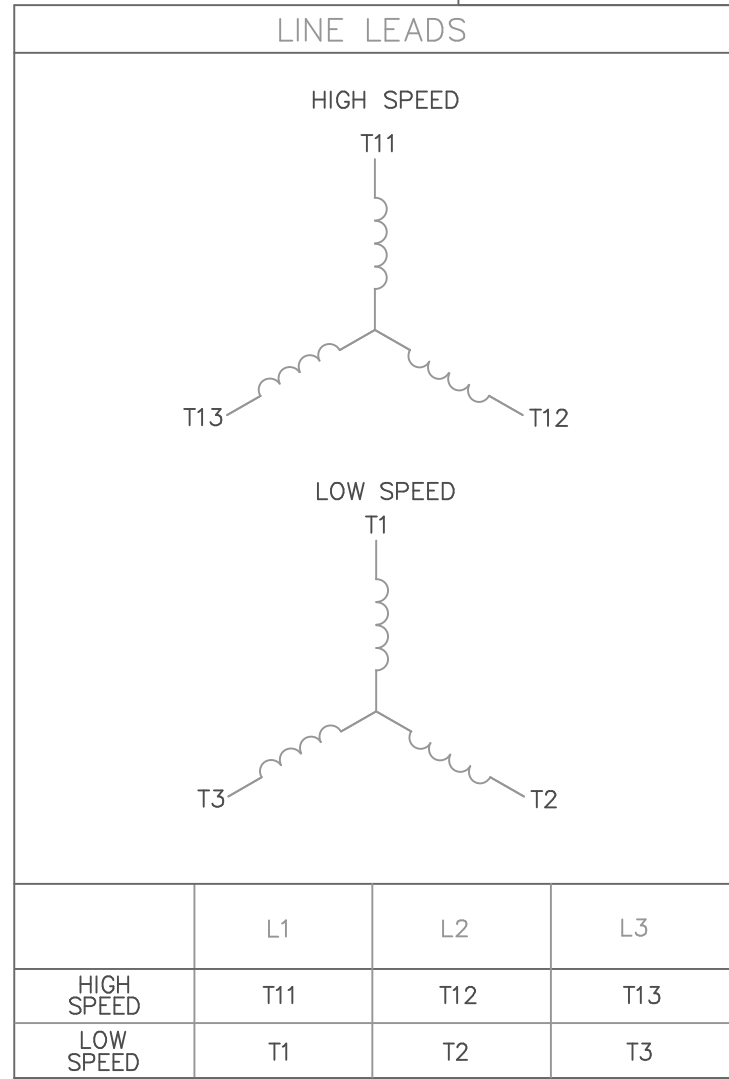
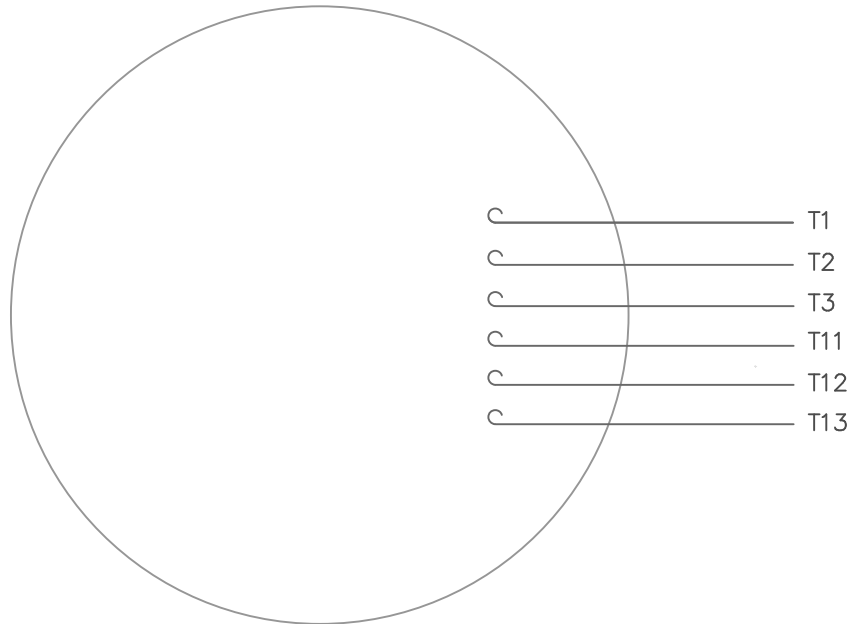
4

3

2

1

VIEW FROM OUTSIDE OF MOTOR AT SWITCH END.



				TOLERANCES UNLESS OTHERWISE SPECIFIED	
				DECIMALS	
				.00	± .01
				.000	± .005
3	REDRAWN ON CAD	DBT	06/30/97	.0000	± .0005
NO.	REVISION	BY	DATE	FRACTIONS	± 1/64
THIS DRAWING IN DESIGN AND DETAIL IS OUR PROPERTY AND MUST NOT BE USED EXCEPT IN CONNECTION WITH OUR WORK ALL RIGHTS OF DESIGN AND INVENTION ARE RESERVED				ANGLES	± 1/2°
				INCH/MM	

**LEESON** ELECTRIC CORPORATION

DRAWN JRW 07/26/74	TITLE
CH'K'D. WRK 08/05/74	EXTERNAL WIRING DIAGRAM TYPE "T" W/O PROTECTOR
APPR. TEM 08/05/74	MAT'L.
SCALE 1=1	DECAL - 004040 2WDG./2 SPEED 1Y-1Y
REF. WT6364	FINISH
FMF 7464D13	SIZE
	A
	DRAWING NO.
	005046-01



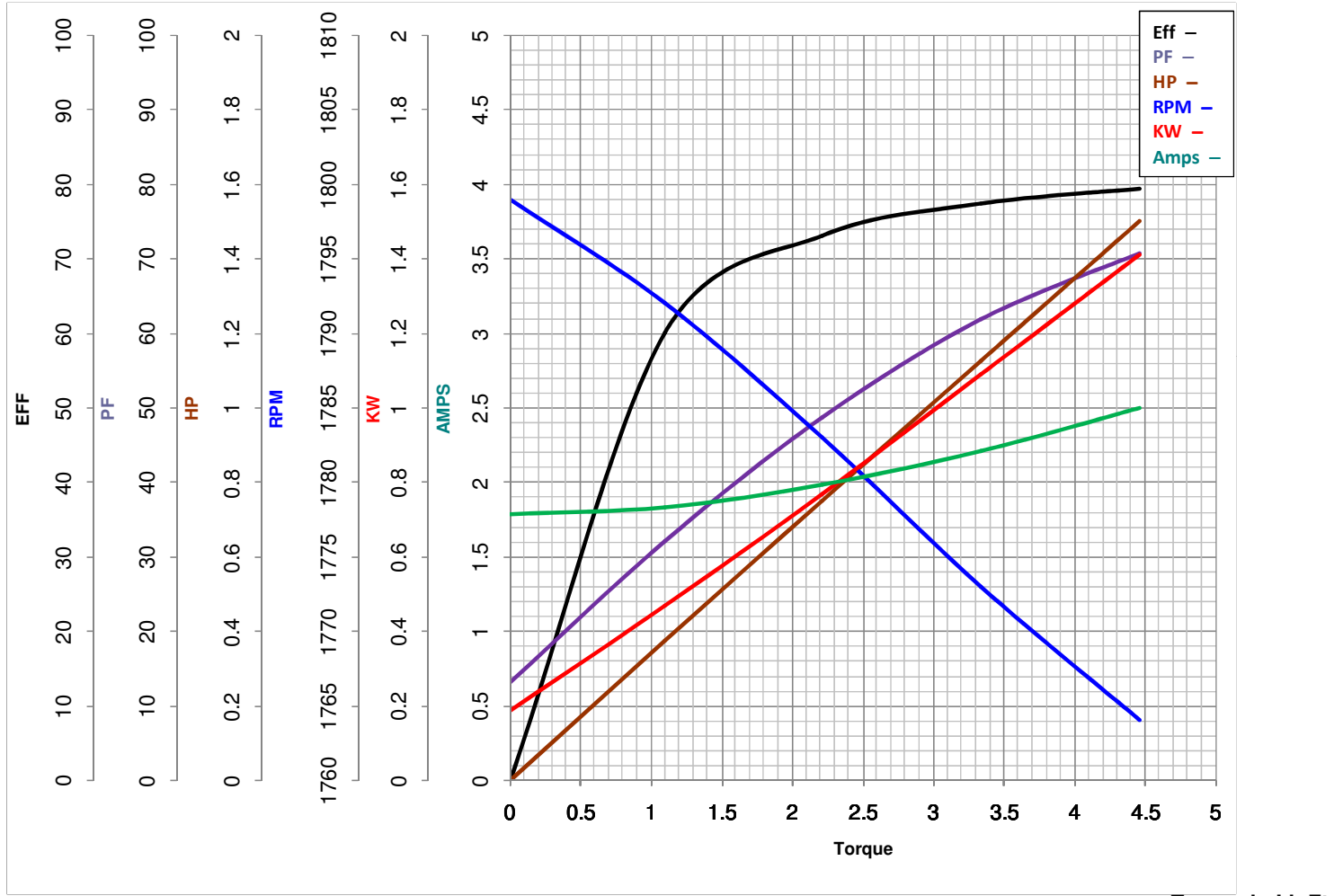
**LEESON ELECTRIC CORPORATION**  
TYPICAL PERFORMANCE CURVE for AC MOTOR

Model No 111963.00

Catalog No 111963.00

Curve at 460 Volts      HP 1.5&2/3      PHASE 3  
60 HZ  
1.5 HP      VOLTS 460&460

HZ 60&60      RPM 1725&1140



Torque in Lb.Ft

FL TORQUE 4.46 Lb.Ft  
BD TORQUE 18.0 Lb.Ft  
LR TORQUE 12.66 Lb.Ft

FL AMPS 2.5  
PU TORQUE 12.2 Lb.Ft  
LR AMPS 18.7

WINDING T63(4-6)22-2

Date 5/22/2018