

# PRODUCT INFORMATION PACKET



Model No: CCD4B25T62Y

Catalog No: LM34130

..25HP..1800RPM.284T.ODP.200/400V.3PH.60HZ.CONT.40C.1.15SF.RIGID.....SPECIAL VOLTAGE.....  
200/400 Volts



Regal and Leeson are trademarks of Regal Beloit Corporation or one of its affiliated companies.  
©2018 Regal Beloit Corporation, All Rights Reserved. MC017097E



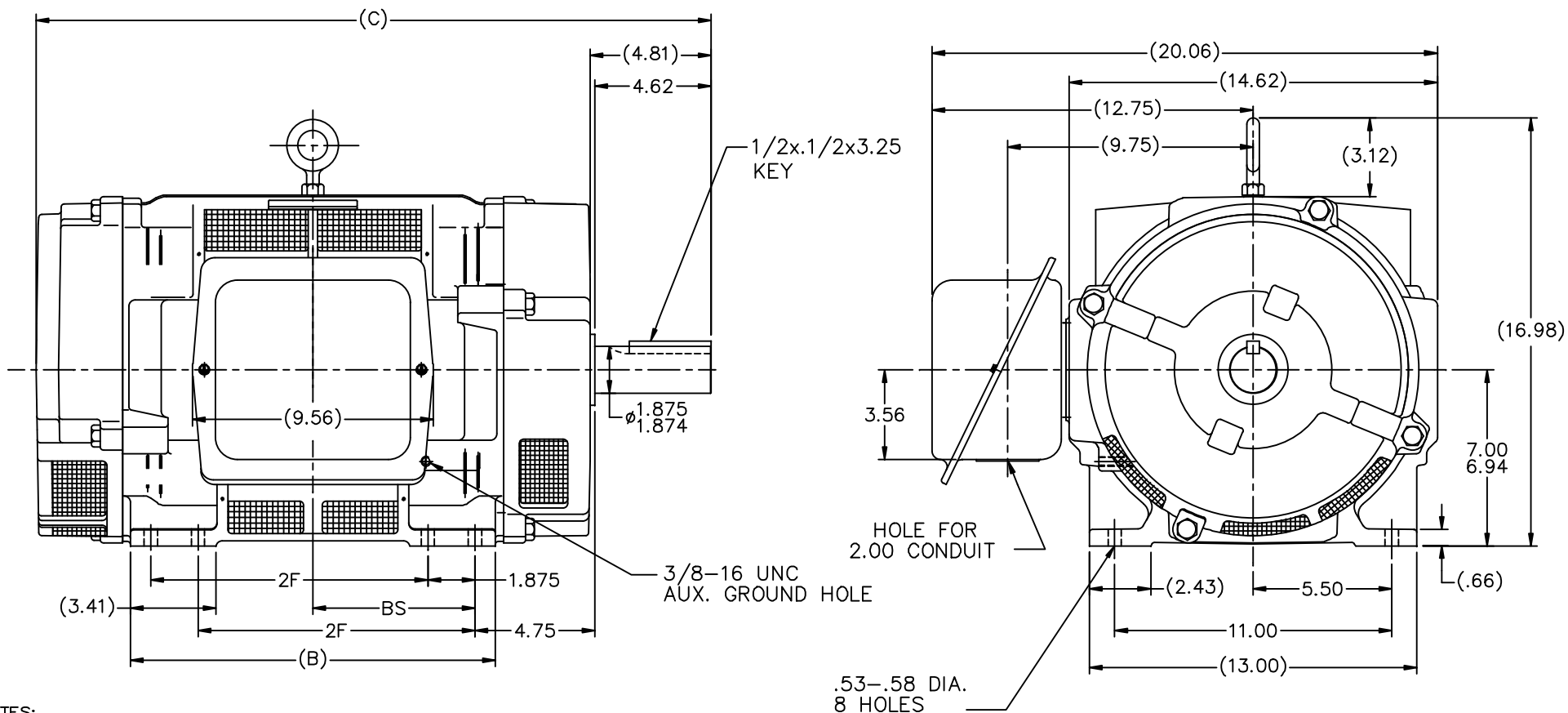


### Nameplate Specifications

Output HP	<b>25 Hp</b>	Output KW	<b>18.7 kW</b>
Frequency	<b>60 Hz</b>	Voltage	<b>200/400 V</b>
Current	<b>73.5/37.0 A</b>	Speed	<b>1775 rpm</b>
Service Factor	<b>1.15</b>	Phase	<b>3</b>
Efficiency	<b>93.6 %</b>	Duty	<b>Continuous</b>
Insulation Class	<b>F</b>	Design Code	<b>B</b>
KVA Code	<b>G</b>	Frame	<b>284T</b>
Enclosure	<b>Drip Proof</b>	Overload Protector	<b>No</b>
Ambient Temperature	<b>40 °C</b>	Drive End Bearing Size	<b>6311</b>
Opp Drive End Bearing Size	<b>6210</b>	UL	<b>Recognized</b>
CSA	<b>Y</b>	CE	<b>Y</b>
IP Code	<b>23</b>		

### Technical Specifications

Electrical Type	<b>Squirrel Cage Induction Run</b>	Starting Method	<b>Wye Start Delta Run</b>
Poles	<b>4</b>	Rotation	<b>Reversible</b>
Mounting	<b>Rigid base</b>	Motor Orientation	<b>HORIZONTAL</b>
Drive End Bearing	<b>BALL</b>	Opp Drive End Bearing	<b>BALL</b>
Frame Material	<b>Cast Iron</b>	Shaft Type	<b>T</b>
Overall Length	<b>24.94 in</b>	Frame Length	<b>13.25 in</b>
Shaft Diameter	<b>1.875 in</b>	Shaft Extension	<b>4.62 in</b>
Assembly/Box Mounting	<b>F1/F2 CAPABLE</b>		
Outline Drawing	<b>B-SS207936LN-1325</b>	Connection Diagram	<b>A-EE7358-LN</b>



- NOTES:
1. CONDUIT BOX CAN BE ROTATED IN 90° STEPS.
  2. CONDUIT BOX CAN BE MOUNTED ON OPPOSITE SIDE BY REMOVING BRACKETS AND TURNING FRAME 180°.
  3. NAMEPLATE TO BE READ FROM CONDUIT BOX SIDE OF MOTOR.

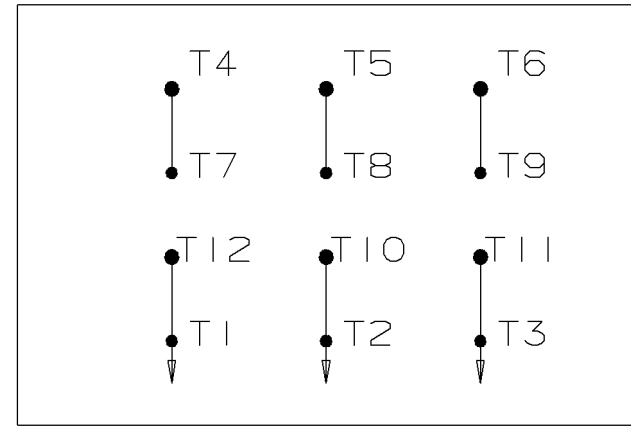
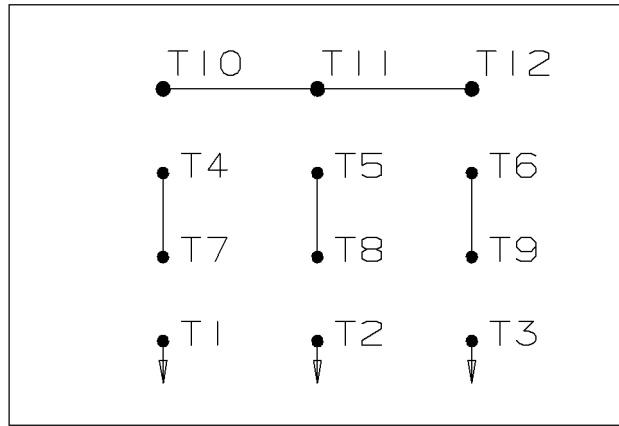
DASH	FRAME	B	C	2F	BS
1325	284T	12.63	24.94	9.50	5.50
1512	286T	14.50	26.81	11.00	6.44

		TOLERANCES UNLESS SPECIFIED		Lincoln MOTORS		DRAWN KS 12-27-2011	
		DEC.	INCHES			CHK SJW 12-28-2011	
		.X	±.1			APPD MJS 12-28-2011	
		.XX	±.02	TITLE OUTLINE		SCALE 1=4	
		.XXX	±.005	280 FR. - TS - DR.PR. - CAST IRON		REF SS207936	
		.XXXX	±.0005	MAT'L.		FMF MUB2155	
NO.	REVISION	BY & DATE	CHK	ANG	FINISH	PREV	
THIS DRAWING IN DESIGN AND DETAIL IS OUR PROPERTY AND MUST NOT BE USED EXCEPT IN CONNECTION WITH OUR WORK ALL RIGHTS OF DESIGN AND INVENTION ARE RESERVED THIS IS AN ELECTRONICALLY GENERATED DOCUMENT - DO NOT SCALE THIS PRINT				RFP	12-28-2011	CAD FILE SS207936	SIZE DRAWING NO. PAGE OF REV.
				DIST	LB	B	SS207936LN

WYE START

HIGH VOLTAGE

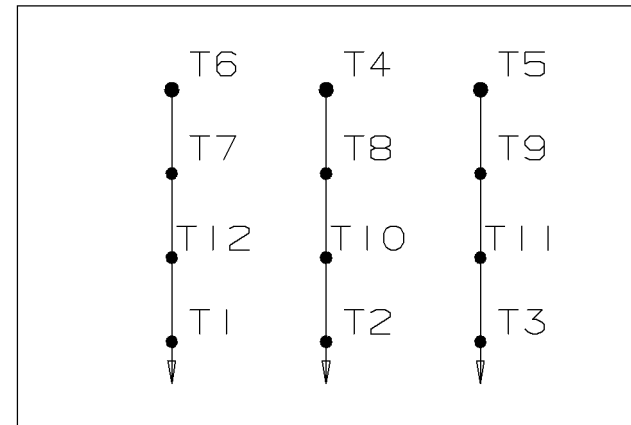
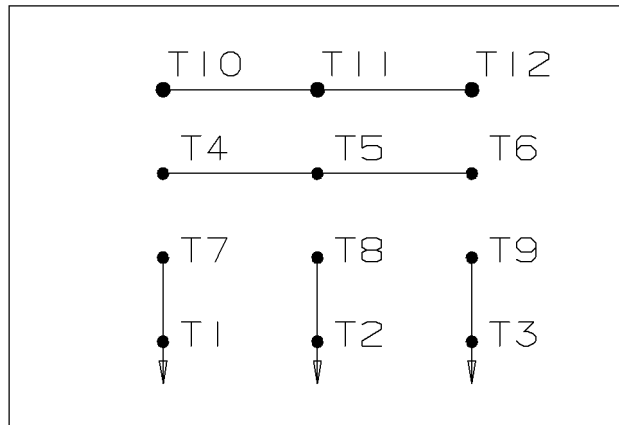
DELTA RUN



WYE START

LOW VOLTAGE

DELTA RUN



4/2 CKTY Δ

					<input checked="" type="checkbox"/> UNLESS OTHERWISE SPECIFIED DIMENSIONS ARE IN INCHES TOL. ON XX± .02    XXX± .005    XXXX± .0005    ANGLES± 7'30"			
						MAX. SURFACE ROUGHNESS UNLESS OTHERWISE NOTED FINISH MATERIAL	DRAWN BY DRS CHKD BY ML APPD BY TB	12-07-1999 12-07-1999 12-07-1999
1	12-07-1999	NEW DRAWING	DRS	PART NAME CONNECTION DIAGRAM			DRWG NO A-EE7358-LN	
REV	DATE	CHANGE	NAME	PURCHASED			CADD FILE NO. EE7358-LN	

