

# PRODUCT INFORMATION PACKET



Model No: CCD4B30T62Y  
Catalog No: LM30696  
30,1800,DP,286T,3/60/200/400YD  
200/400 Volts



Regal and Leeson are trademarks of Regal Beloit Corporation or one of its affiliated companies.  
©2018 Regal Beloit Corporation, All Rights Reserved. MC017097E





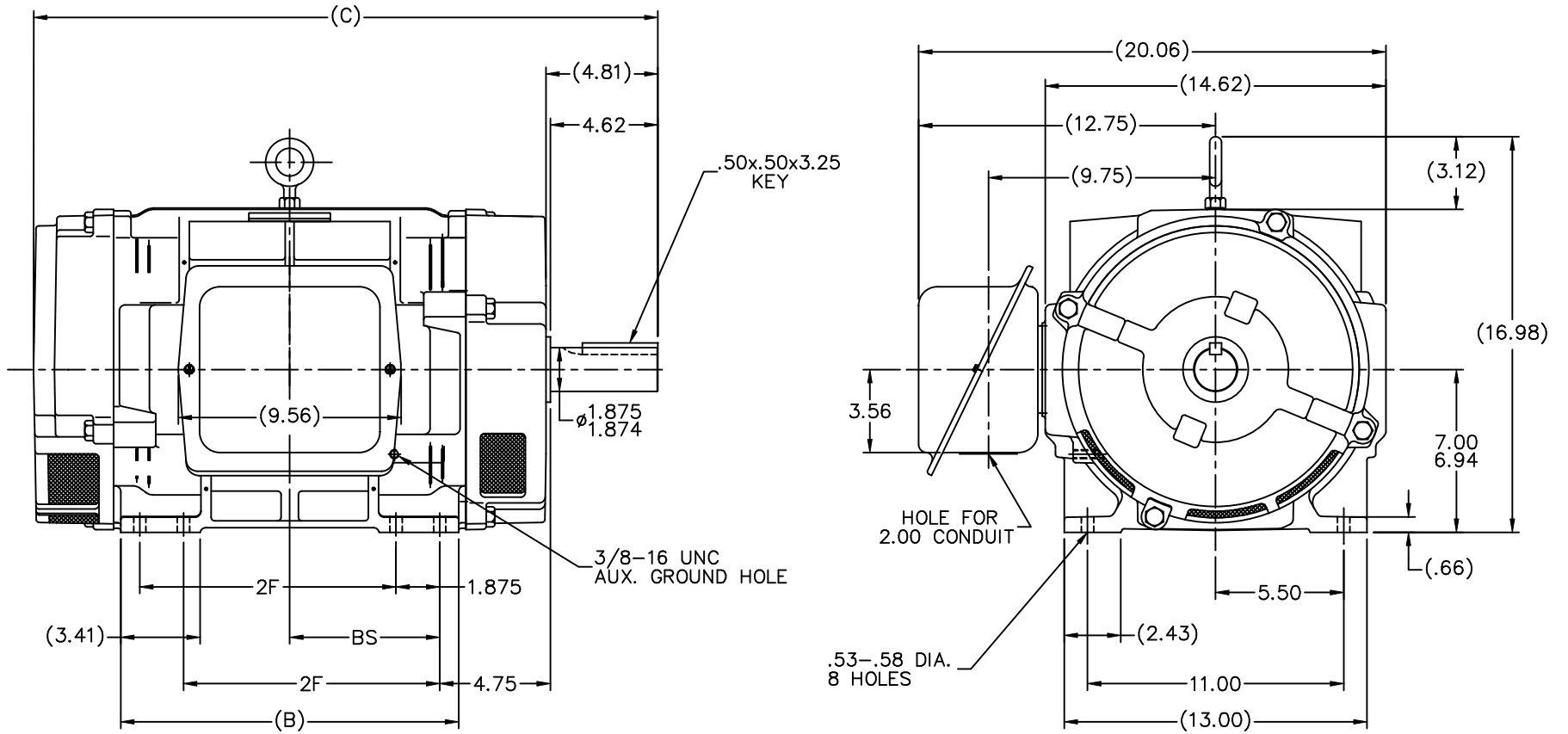
### Nameplate Specifications

Output HP	<b>30 Hp</b>	Output KW	<b>22.4 kW</b>
Frequency	<b>60 Hz</b>	Voltage	<b>200/400 V</b>
Current	<b>84.0/42.0 A</b>	Speed	<b>1775 rpm</b>
Service Factor	<b>1.15</b>	Phase	<b>3</b>
Efficiency	<b>94.1 %</b>	Duty	<b>Continuous</b>
Insulation Class	<b>F</b>	Design Code	<b>B</b>
KVA Code	<b>G</b>	Frame	<b>286T</b>
Enclosure	<b>Drip Proof</b>	Overload Protector	<b>No</b>
Ambient Temperature	<b>40 °C</b>	Drive End Bearing Size	<b>6311</b>
Opp Drive End Bearing Size	<b>6210</b>	UL	<b>Recognized</b>
CSA	<b>Y</b>	CE	<b>Y</b>
IP Code	<b>12</b>		

### Technical Specifications

Electrical Type	<b>Squirrel Cage Induction Run</b>	Starting Method	<b>Wye Start Delta Run</b>
Poles	<b>4</b>	Rotation	<b>Reversible</b>
Mounting	<b>Rigid base</b>	Motor Orientation	<b>HORIZONTAL</b>
Drive End Bearing	<b>BALL</b>	Opp Drive End Bearing	<b>BALL</b>
Frame Material	<b>Cast Iron</b>	Shaft Type	<b>T</b>
Overall Length	<b>26.81 in</b>	Frame Length	<b>15.12 in</b>
Shaft Diameter	<b>1.875 in</b>	Shaft Extension	<b>4.62 in</b>
Assembly/Box Mounting	<b>F1/F2 CAPABLE</b>		
Outline Drawing	<b>B-SS207470LN-1512</b>	Connection Diagram	<b>A-EE7358-LN</b>

This is an uncontrolled document once printed or downloaded and is subject to change without notice. Date Created: 10/15/2018



- NOTES:
1. CONDUIT BOX CAN BE ROTATED IN 90° STEPS.
  2. CONDUIT BOX CAN BE MOUNTED ON OPPOSITE SIDE BY REMOVING BRACKETS AND TURNING FRAME 180°.
  3. NAMEPLATE TO BE READ FROM CONDUIT BOX SIDE OF MOTOR.

DASH	FRAME	B	C	2F	BS	
1325	284T	12.63	24.94	9.50	5.50	02-17-1000
1512	286T	14.50	26.81	11.00	6.44	

				TOLERANCES UNLESS SPECIFIED		Lincoln MOTOR		DRAWN B JW 3/20/2000	
				DEC.	INCHES			CHK	ML 3/21/2000
				.X	±.1			APPD	TB 3/21/2000
2	ADDED SCREENS TO BRACKETS	MUB0368	TJW 6/26/2007	MSG .XXX	±.005	TITLE OUTLINE		SCALE	7=32
1	NEW DRAWING		BJW 3/21/2000	.XXXX	±.0005	280 FR. - TS - DR.PR. - CAST IRON		REF	
NO.	REVISION	BY & DATE	CHK	ANG	±7'30"	MAT'L		FINISH	PREV
			RFP			CAD FILE SS207470LN		SIZE	DRAWING NO. PAGE 1 OF 1 REV.
			DIST	LB		B	SS207470LN		2

```
ERROR: syntaxerror  
OFFENDING COMMAND: --nostringval--
```

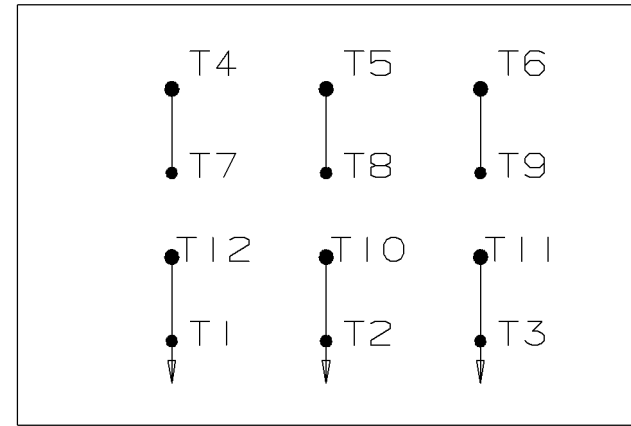
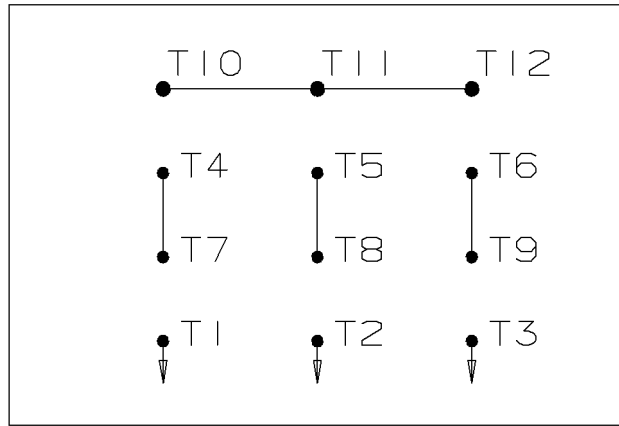
```
STACK:
```

```
/p2e  
-savelevel-
```

WYE START

HIGH VOLTAGE

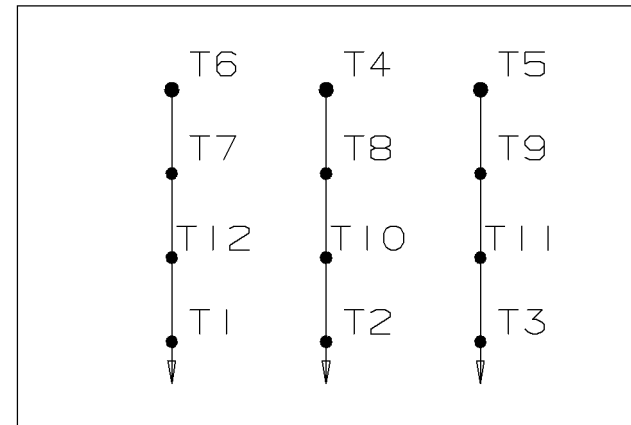
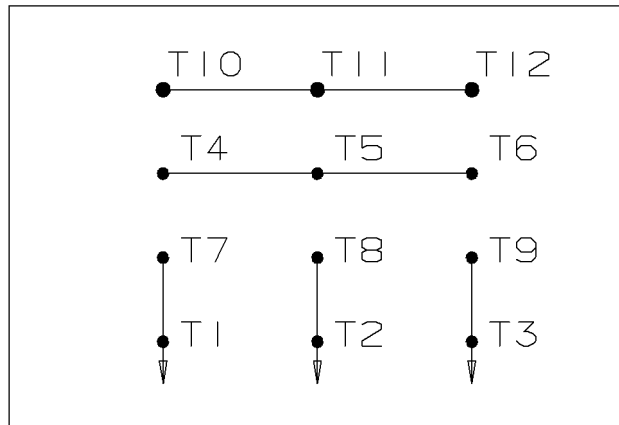
DELTA RUN



WYE START

LOW VOLTAGE

DELTA RUN



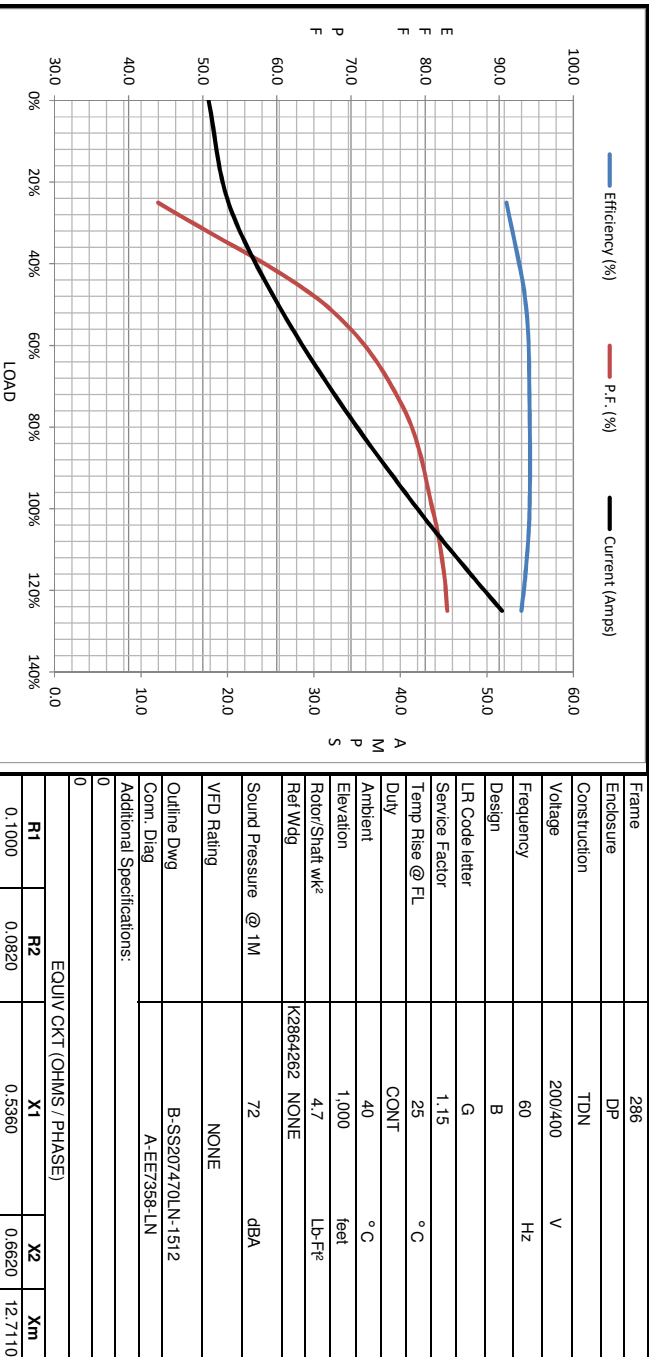
4/2 CKTY Δ

					<input checked="" type="checkbox"/> UNLESS OTHERWISE SPECIFIED DIMENSIONS ARE IN INCHES TOL. ON XX± .02    XXX± .005    XXXX± .0005    ANGLES± 7'30"		
						MAX. SURFACE ROUGHNESS UNLESS OTHERWISE NOTED	DRAWN BY DRS
				FINISH		CHKD BY ML	12-07-1999
				MATERIAL		APPD BY TB	12-07-1999
REV	DATE	CHANGE	NAME	PART NAME CONNECTION DIAGRAM			DRWG NO A- EE7358-LN
					PURCHASED	CADD FILE NO.	EE7358-LN



Motor Load Data						
Load	0%	25%	50%	75%	100%	LR
Current (Amps)	17.8	20.1	25.9	33.4	42.0	250
Torque (ft-lb)	0.00	22.0	44.0	66.5	89.0	165
RPM	1800	1795	1785	1780	1775	0
Efficiency (%)		91.0	93.6	94.1	94.1	
P.F. (%)	4.0	44.0	66.5	77.0	81.0	82.5
						83.0
						36.0

Motor Speed Data						Information Block																				
LR	Pull-Up	BD	Rated	Idle		HP	Sync. RPM	Frame	Enclosure	Construction	Voltage	Frequency	Design	LR Code letter	Service Factor	Temp Rise @ FL	Duty	Ambient	Elevation	Rotor/Shaft wk <sup>2</sup>	Ref Wdg	Sound Pressure @ 1M	VFD Rating	Outline Dwg	Conn. Diag	Additional Specifications:
0	900	1675	1775	1800		30.0	1800	286	DP	TDN	200/400	60	B	G	1.15	25	CONT	40	1,000	4.7	NONE	NONE	B-SS2074/0LN-1512	A-EE7358-LN		
Current (Amps)	250	219	144	42.0	17.8																					
Torque (ft-lb)	165	145	240	89.0	0.00																					



R1	R2	X1	X2	Xm
0.1000	0.0820	0.3380	0.6520	12.7110

