

BALDOR® • RELIANCE 

Product Information Packet

CDP3410-V24

.25HP, 1800RPM, DC, 56C, 3416P, TENV, F1

Part Detail							
Revision:	F	Status:	PRD/A	Change #:		Proprietary:	No
Type:	DC	Prod. Type:	3416P	Elec. Spec:	34WGZ610	CD Diagram:	CD0194
Enclosure:	TENV	Mfg Plant:		Mech. Spec:	34-6943	Layout:	34LY6943
Frame:	56C	Mounting:	F1	Poles:	00	Created Date:	
Base:	RG	Rotation:	R	Insulation:	F	Eff. Date:	06-16-2018
Field Type:		Literature:		Elec. Diagram:		Replaced By:	

Specs			
Enclosure:	TENV		
Frame:	56C		
Frame Material:	Steel		
XP Class and Group:	None		
Agency Approvals:	CSA		
	UR		
Base Indicator:	Rigid		
Bearing Grease Type:	Polyrex EM (-20F +300F)		
Drip Cover:	No Drip Cover		
Duty Rating:	CONT		
Feedback Device:	NO FEEDBACK		
Heater Indicator:	No Heater		
Insulation Class:	F		
Lifting Lugs:	No Lifting Lugs		
Motor Lead Quantity/Wire Size:	2 @ 14 AWG		
Motor Lead Exit:	Ko Box		

Motor Lead Termination:	Flying Leads		
Mounting Arrangement:	F1		
Product Family:	General Purpose		
Pulley End Bearing Type:	Sealed Bearing		
Shaft Extension Location:	Pulley End		
Shaft Ground Indicator:	No Shaft Grounding		
Shaft Rotation:	Reversible		
Shaft Slinger Indicator:	No Slinger		
Motor Standards:	NEMA		
XP Division:	Not Applicable		

Nameplate NP0111L			
CAT.NO.	CDP3410-V24		
SPEC.	34-6943Z610G1		
HP	.25	ENCL	TENV
RPM	1800		
FRAME	56C	TYPE	3416P
ARM V	24	ARM A	10.6
FLD V		FLD A	
INSUL	F	AMB.	40
DUTY	CONT	SUPPLY	A
BRG/DE	6203	BRG/ODE	6203
BRUSHES	2/BP5104BV01		
		BLANK	
SER.			
BLANK			
APRV-CSA	<input type="checkbox"/>	APRV-UL	<input type="checkbox"/>

Parts List		
Part Number	Description	Quantity
SA115431	SA 34-6943Z610G1	1.000 EA
AA010317	AA 34-6943Z610G1	1.000 EA
BP5104BV01	CARBON BRUSH - 12 DC - MZ65	2.000 EA
BP5100	SPRING PRESSURE BRACKET ASSY	2.000 EA
34RK5006	ROCKERARM ASSEMBLY MODEL 34 PM	1.000 EA
51XF1032A08	10/32X1/2 HXWSHR HD, SL, TYPE F ,SERATED	4.000 EA
11XW1032G06	10-32 X .38, TAPTITE II, HEX WSHR SLTD U	1.000 EA
HW3001B01	BRASS CUP WASHER, FOR #10 SCREW	1.000 EA
34EP3114A03	FR EP, MACH MODEL 34 TENV W/EXT T-BOLTS	1.000 EA
WD4102A65	HEYCO #2827 (B 625-500) SHORTY BUSHING	1.000 EA
HW5100A03	WAVY WASHER (W1543-017)	1.000 EA
34CB4519	BRUSH INSPECTION COVER	2.000 EA
34GS1022	GASKET, BRUSH COVER LID, NEOPRENE NON CO	2.000 EA
51XW0832A07	8-32 X .44, TAPTITE II, HEX WSHR SLTD SE	4.000 EA
34EP3300A66	PU ENDPLATE, MACH W/INTERNAL RABBET	1.000 EA
51XN1032A20	10-32 X 1 1/4 HX WS SL SR	2.000 EA
34CB4518	CONDUIT BOX LID, STAMPED F/34P	1.000 EA
34GS1027	GASKET, 34P KOBX LID, CS-301 LEXIDE	1.000 EA
51XW0832A07	8-32 X .44, TAPTITE II, HEX WSHR SLTD SE	2.000 EA
HW2501D13	KEY, 3/16 SQ X 1.375	1.000 EA
HA7000A04	KEY RETAINER 0.625 DIA SHAFTS	1.000 EA
MG1000G27	MED CHARCOAL METALLIC GREY 400-0096	0.014 GA
85XU0407S04	4X1/4 U DRIVE PIN STAINLESS	2.000 EA
WD1000A29	3-520140-4 AMP TRM=3.4M/R	2.000 EA

Parts List (continued)		
Part Number	Description	Quantity
HA3100A10	THRUBOLT 10-32 X 6.250	4.000 EA
LB1119N	WARNING LABEL	1.000 EA
LC0194	CONNECTION LABEL	1.000 EA
NP0111L	NP STD LASER ENGRAVED DC MOTORS, UL CSA	1.000 EA
27PA1001	PKG GRP, PRINT PK1027A06	1.000 EA
MN416A01	TAG-INSTAL-MAINT no wire (1200/bx) 5/18	1.000 EA

DC Motor Performance Data

Record # 504 - Typical performance - not guaranteed values

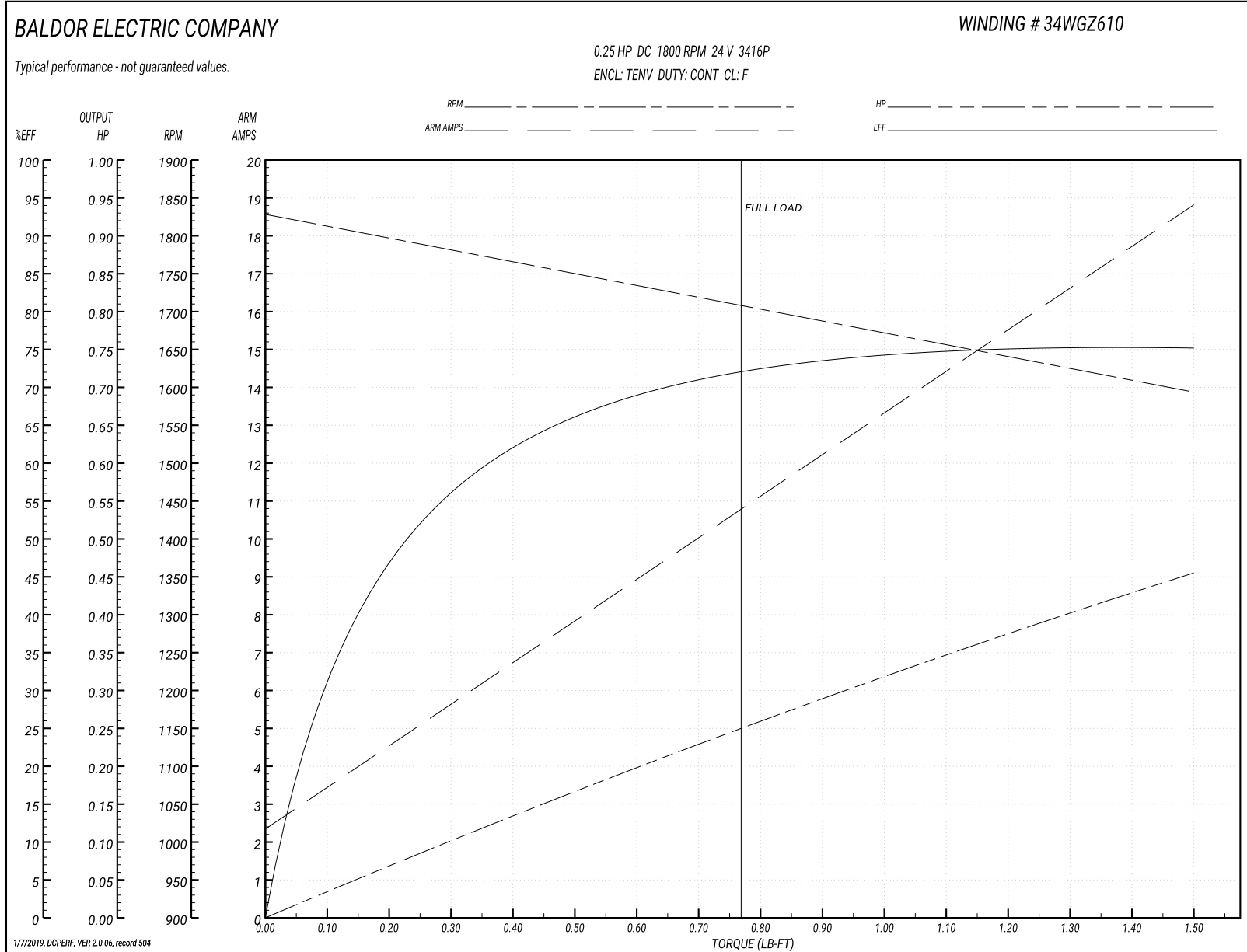
Winding: 34WGZ610-R002	Type: 3416P	Enclosure: TENV
-------------------------------	--------------------	------------------------

Nameplate Data		General Characteristics	
Rated Output (HP)	0.25	Armature Resistance @ 25°C	0.129 Ω
R.P.M.	1800		
Armature Volts	24	Voltage Constant	13.01 v/krpm
Armature Amps	10.6		
Field Volts		Armature Inductance	0.936 mH
Field Amps		Armature Inertia	5.5096 LI ²
Rating - Duty	40C AMB-CONT		
Power Supply Code	A		

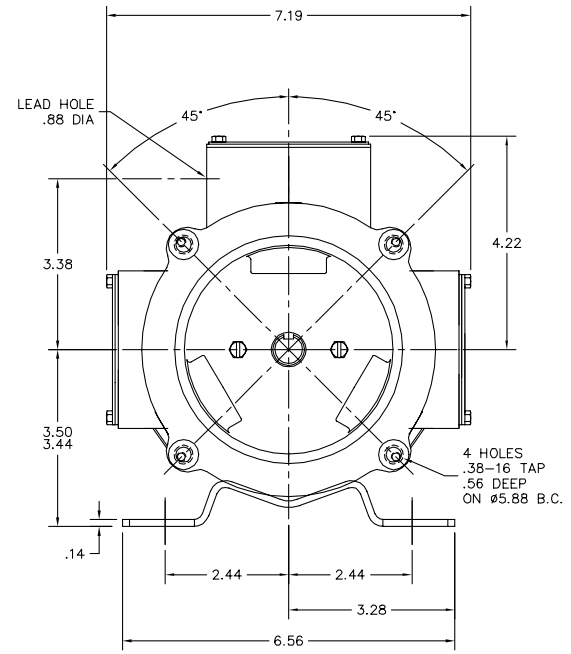
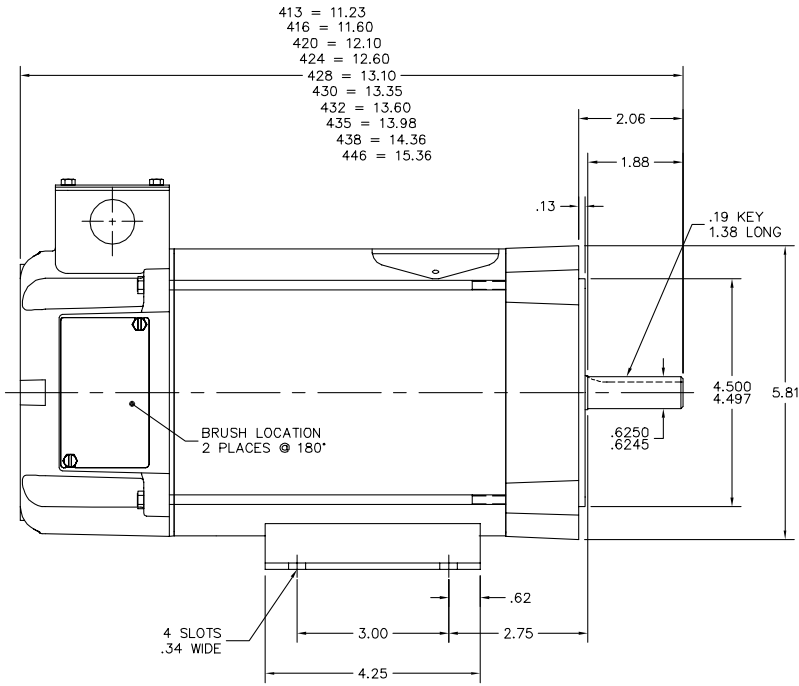
Load Characteristics at 24 Armature Volts

Load Point	1	2	3	4	5	6	7
Armature Amps	2.4	5.05	7.74	10.65	13.4	16.01	18.82
R.P.M.	1825	1795	1753	1707	1666	1635	1596
Torque (LB-FT)	0	0.25	0.5	0.75	1	1.25	1.5

Performance Graph at 24.0 Arm V, 0.25HP Typical performance - Not guaranteed values



34LY6943



34LY6943

CUSTOMER IS RESPONSIBLE FOR DETERMINING THAT BALDOR'S PRODUCT WILL PERFORM SUITABLY IN THE INTENDED APPLICATION.

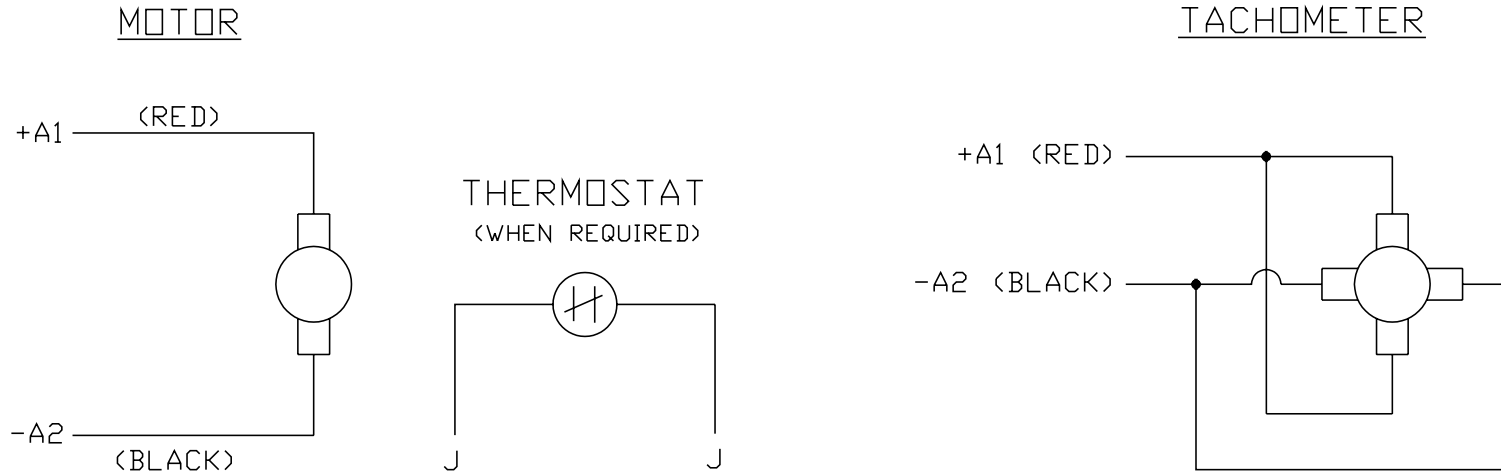
REV. DESC: NO CHANGE		
REV. LTR: H	VERSION: 07	TDR: 00000984840
FILE: \AAA\00097\976	REVISED: 09:33:55 07/12/2016	BY: ENERINO
MTL: -		

BALDOR

STD HORZ 34PM NEMA 56C TENV (HI DEMAG MOTOR) LOW VOLTS

SH 1 of 1

CD0194



NOTES:

1. CCW ROTATION AS SHOWN FACING COMMUTATOR END. TO REVERSE MOTOR ROTATION OR TACHOMETER OUTPUT POLARITY INTERCHANGE LEADS A1(RED) & A2(BLACK)
2. LEAD COLORS FOR REFERENCE ONLY & NOT SPECIFIED BY THIS DRAWING. LEAD COLORS SPECIFIED BY LAYOUT DRAWING & BILL OF MATERIAL ONLY.

MATL: -			
REV: E	ADDED NOTE "LEAD COLORS FOR REFERENCE ONLY &..."		
CD0194	SCALE: -	BY: CK	REVISED: 07/28/95
	FILE: AAA00004503		TDR: 0078737

BALDOR ELECTRIC Co.

CD TYPE P DC PERMANENT MAGNET MOTORS AND TACHOMETERS

CD0194