

BALDOR® • RELIANCE 

Product Information Packet

CDP3440-V12

.75HP, 1800RPM, DC, 56C, 3430P, TEFC, F1

Part Detail							
Revision:	G	Status:	PRD/A	Change #:		Proprietary:	No
Type:	DC	Prod. Type:	3430P	Elec. Spec:	34WGZ618	CD Diagram:	CD0194
Enclosure:	TEFC	Mfg Plant:		Mech. Spec:	34-7074	Layout:	34LY7074
Frame:	56C	Mounting:	F3	Poles:	00	Created Date:	
Base:	RG	Rotation:	R	Insulation:	F	Eff. Date:	10-05-2018
Field Type:		Literature:		Elec. Diagram:		Replaced By:	

Specs			
Enclosure:	TEFC		
Frame:	56C		
Frame Material:	Steel		
XP Class and Group:	None		
Agency Approvals:	CSA		
	UR		
Base Indicator:	Rigid		
Bearing Grease Type:	Polyrex EM (-20F +300F)		
Drip Cover:	No Drip Cover		
Duty Rating:	CONT		
Feedback Device:	NO FEEDBACK		
Heater Indicator:	No Heater		
Insulation Class:	F		
Lifting Lugs:	No Lifting Lugs		
Motor Lead Quantity/Wire Size:	2 @ 8 AWG		
Motor Lead Exit:	SPECIAL (OLD)		

Motor Lead Termination:	Ring Terminals		
Mounting Arrangement:	F3		
Product Family:	General Purpose		
Pulley End Bearing Type:	Sealed Bearing		
RoHS Status:	ROHS COMPLIANT		
Shaft Extension Location:	Pulley End		
Shaft Ground Indicator:	No Shaft Grounding		
Shaft Rotation:	Reversible		
Shaft Slinger Indicator:	No Slinger		
Motor Standards:	NEMA		
XP Division:	Not Applicable		

Nameplate NP0111L			
CAT.NO.	CDP3440-V12		
SPEC.	34-7074Z618		
HP	.75	ENCL	TEFC
RPM	1800		
FRAME	56C	TYPE	3430P
ARM V	12	ARM A	66
FLD V		FLD A	
INSUL	F	AMB.	40
DUTY	CONT	SUPPLY	A
BRG/DE	6203	BRG/ODE	6203
BRUSHES	2/BP5112AU01		
SER.	BLANK		
BLANK			
APRV-CSA	<input type="checkbox"/>	APRV-UL	<input type="checkbox"/>

Parts List		
Part Number	Description	Quantity
SA117091	SA 34-7074Z618	1.000 EA
AA010465	AA 34-7074Z618	1.000 EA
BP5112AU01	CARBON BRUSH - 12 DC - MZ75	2.000 EA
BP5100	SPRING PRESSURE BRACKET ASSY	2.000 EA
34RK5006A01	ROCKERARM ASSEMBLY MODEL 34 PM	1.000 EA
51XF1032A08	10/32X1/2 HXWSHR HD, SL, TYPE F ,SERATED	4.000 EA
86XN0832B06	8-32X3/8 BIND HD MACH,BRA	2.000 EA
HW1001B08	WASHER, #8 SPLT LD, BR	2.000 EA
WD1349	TERMINAL BLOCK, 2 STUD .25-20 BOLT	1.000 EA
34GS1023	GASKET, STRAIN RELIEF PLATE - CS-301 LEX	1.000 EA
51XW0832A07	8-32 X .44, TAPTITE II, HEX WSHR SLTD SE	4.000 EA
XY2520B12	1/4-20 BRASS NUT	4.000 EA
HW1000B25	1/4 SAE FL WASHER NARROW ID=.281 OD=.625	6.000 EA
34EP3112A03	FR EP, MACH MODEL 34 ENCL	1.000 EA
HW5100A03	WAVY WASHER (W1543-017)	1.000 EA
34CB4519	BRUSH INSPECTION COVER	2.000 EA
34GS1022	GASKET, BRUSH COVER LID, NEOPRENE NON CO	2.000 EA
51XW0832A07	8-32 X .44, TAPTITE II, HEX WSHR SLTD SE	4.000 EA
34EP3300A66	PU ENDPLATE, MACH W/INTERNAL RABBET	1.000 EA
51XN1032A20	10-32 X 1 1/4 HX WS SL SR	2.000 EA
34FN3002A01SP	EXTERNAL FAN, PLASTIC, .637/.639 HUB W/	1.000 EA
34FH5002A09	FAN COVER ASSY W/SHAFT COVER, ROTATED DI	1.000 EA
51XW1032A06	10-32 X .38, TAPTITE II, HEX WSHR SLTD S	3.000 EA
HW2501D13	KEY, 3/16 SQ X 1.375	1.000 EA

Parts List (continued)		
Part Number	Description	Quantity
HA7000A04	KEY RETAINER 0.625 DIA SHAFTS	1.000 EA
LD5000B14	LEAD ASSY, ML1400B08 W/#10 & .25 RING TE	1.000 EA
LB9000A51	LEAD MARKER - WM-A1	4.000 SH
LB9000A52	LEAD MARKER - WM-"A2"	4.000 SH
LD5000B14	LEAD ASSY, ML1400B08 W/#10 & .25 RING TE	1.000 EA
MG1000G27	MED CHARCOAL METALLIC GREY 400-0096	0.014 GA
85XU0407S04	4X1/4 U DRIVE PIN STAINLESS	2.000 EA
HA3100A44	THRUBOLT 10-32 X 8.000	4.000 EA
MN416A01	TAG-INSTAL-MAINT no wire (1200/bx) 5/18	1.000 EA
LB1119N	WARNING LABEL	1.000 EA
LC0194	CONNECTION LABEL	1.000 EA
NP0111L	NP STD LASER ENGRAVED DC MOTORS, UL CSA	1.000 EA
35PA1007	PKG GRP, PRINT PK1034A06	1.000 EA

DC Motor Performance Data

Record # 498 - Typical performance - not guaranteed values

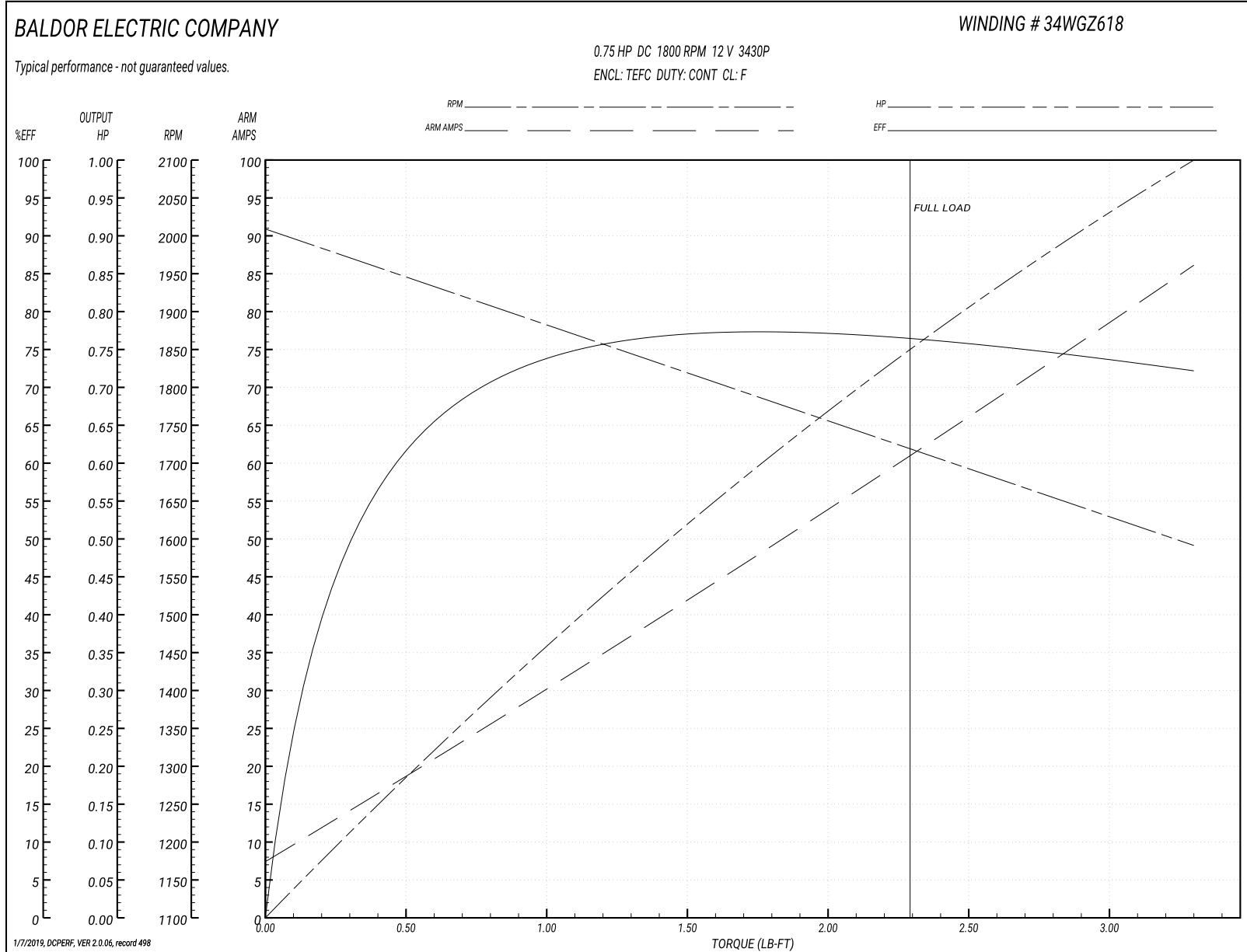
Winding: 34WGZ618-R001	Type: 3430P	Enclosure: TEFC
-------------------------------	--------------------	------------------------

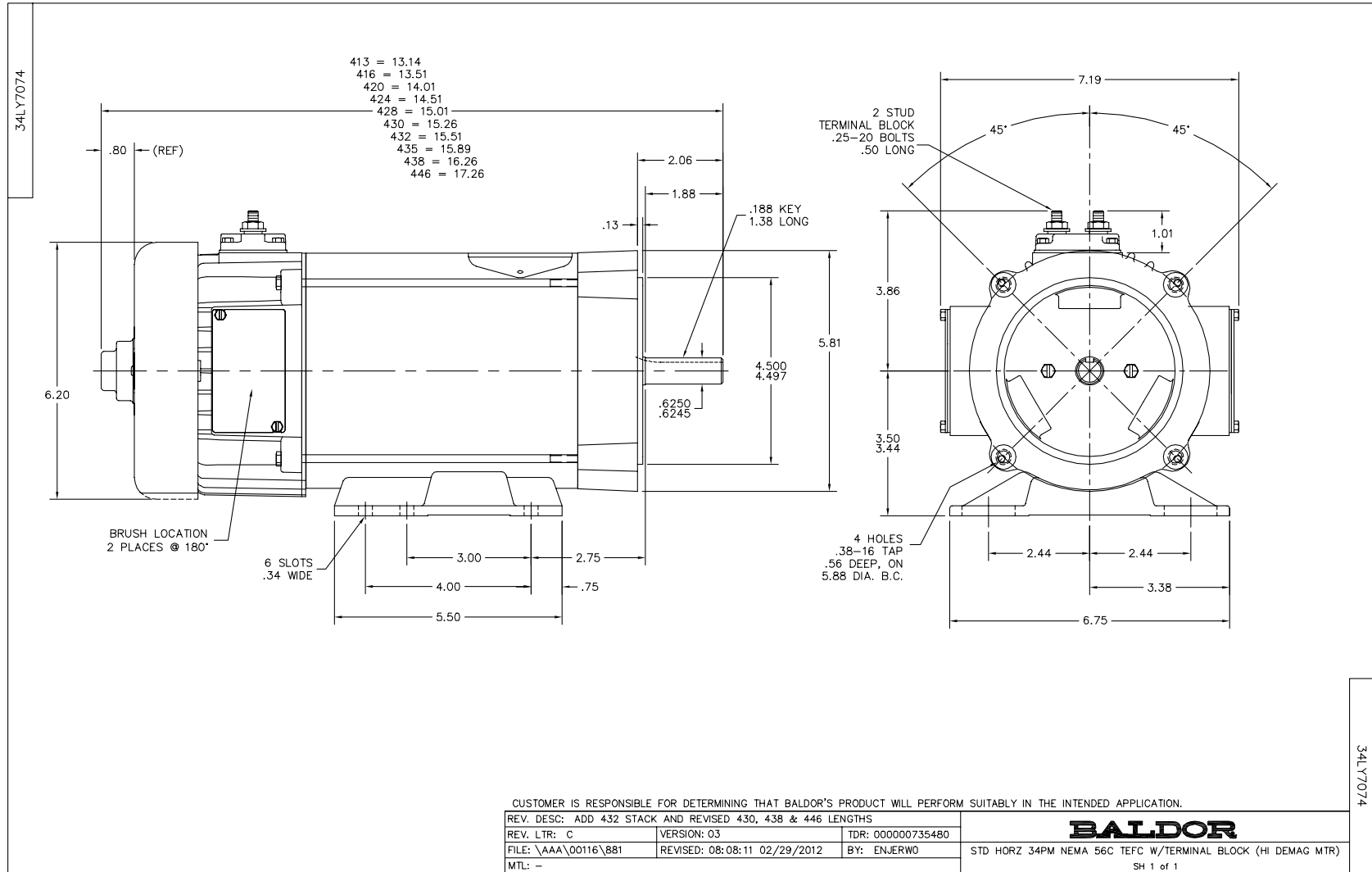
Nameplate Data		General Characteristics	
Rated Output (HP)	0.75	Armature Resistance @ 25°C	0.0228 Ω
R.P.M.	1800		
Armature Volts	12	Voltage Constant	5.87 v/krpm
Armature Amps	66		
Field Volts		Armature Inductance	0.1106 mH
Field Amps		Armature Inertia	10.3304 LI ²
Rating - Duty	40C AMB-CONT		
Power Supply Code	A		

Load Characteristics at 12 Armature Volts

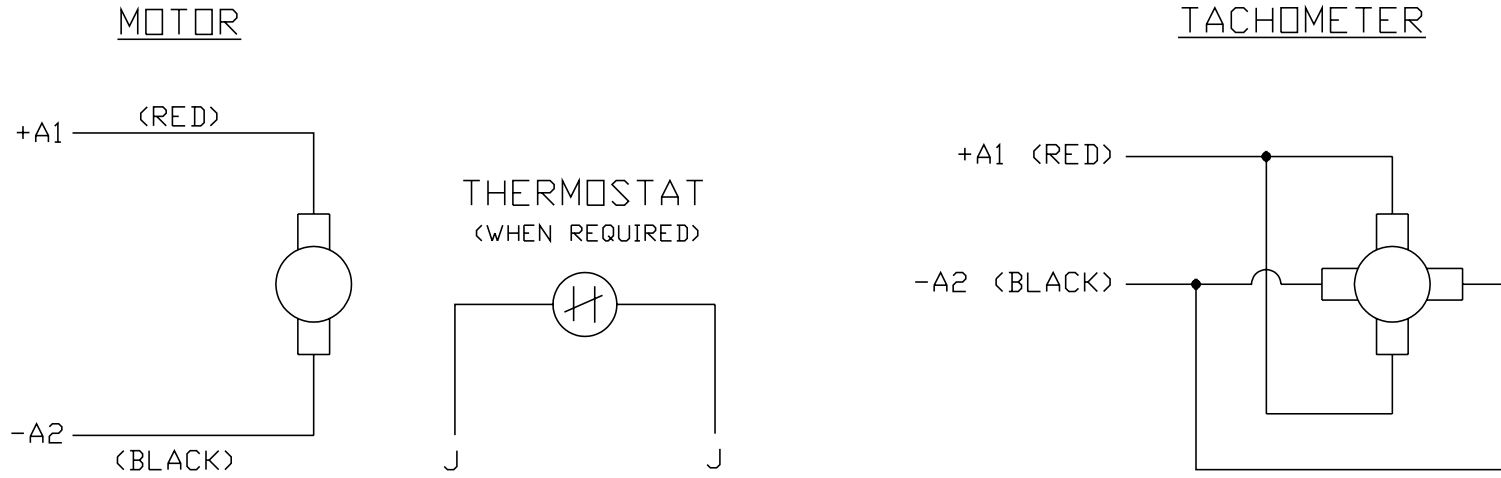
Load Point	1	2	3	4	5	6	7
Armature Amps	7.25	20.2	32.3	45.8	58.5	72.1	86.3
R.P.M.	1998	1936	1874	1813	1743	1662	1575
Torque (LB-FT)	0	0.55	1.1	1.65	2.2	2.75	3.3

Performance Graph at 12.0 Arm V, 0.75HP Typical performance - Not guaranteed values





CD0194



NOTES:

1. CCW ROTATION AS SHOWN FACING COMMUTATOR END. TO REVERSE MOTOR ROTATION OR TACHOMETER OUTPUT POLARITY INTERCHANGE LEADS A1(RED) & A2(BLACK)
2. LEAD COLORS FOR REFERENCE ONLY & NOT SPECIFIED BY THIS DRAWING. LEAD COLORS SPECIFIED BY LAYOUT DRAWING & BILL OF MATERIAL ONLY.

MATL: -			
REV: E	ADDED NOTE "LEAD COLORS FOR REFERENCE ONLY &..."		
761000	SCALE: -	BY: CK	REVISED: 07/28/95
	FILE: AAA00004503		TDR: 0078737

BALDOR ELECTRIC Co.

CD TYPE P DC PERMANENT MAGNET MOTORS AND TACHOMETERS

CD0194