

BALDOR® • RELIANCE 

Product Information Packet

CDP3604

3HP,1750RPM,DC,184C,3649P,TEFC,F1

Part Detail							
Revision:	T	Status:	PRD/A	Change #:		Proprietary:	No
Type:	DC	Prod. Type:	3649P	Elec. Spec:	36WGZ507	CD Diagram:	CD0194
Enclosure:	TEFC	Mfg Plant:		Mech. Spec:	36P183	Layout:	36LYP183
Frame:	182C	Mounting:	F1	Poles:	00	Created Date:	
Base:	RG	Rotation:	R	Insulation:	F	Eff. Date:	11-05-2018
Field Type:		Literature:		Elec. Diagram:		Replaced By:	

Specs			
Enclosure:	TEFC		
Frame:	184C		
Frame Material:	Steel		
XP Class and Group:	None		
Agency Approvals:	CE		
	CSA		
	UR		
	WEEE		
Base Indicator:	Rigid		
Bearing Grease Type:	Polyrex EM (-20F +300F)		
Drip Cover:	No Drip Cover		
Duty Rating:	CONT		
Feedback Device:	NO FEEDBACK		
Heater Indicator:	No Heater		
Insulation Class:	F		
Lifting Lugs:	Standard Lifting Lugs		

Motor Lead Quantity/Wire Size:	2 @ 12 AWG		
Motor Lead Exit:	Ko Box		
Motor Lead Termination:	Flying Leads		
Mounting Arrangement:	F1		
Product Family:	General Purpose		
Pulley End Bearing Type:	Sealed Bearing		
Shaft Extension Location:	Pulley End		
Shaft Ground Indicator:	No Shaft Grounding		
Shaft Rotation:	Reversible		
Shaft Slinger Indicator:	No Slinger		
Motor Standards:	NEMA		
XP Division:	Not Applicable		

Nameplate NP0891L			
CAT.NO.	CDP3604		
SPEC.	36P183Z507		
HP	3	ENCL	TEFC
RPM	1750		
FRAME	184C	TYPE	3649P
ARM V	180	ARM A	14
FLD V		FLD A	
INSUL	F	AMB.	40
DUTY	CONT	SUPPLY	K
BRG/DE	6206	BRG/ODE	6206
BRUSHES	2/BP5031A01		
SER.		BLANK	IP44
BLANK			
APRV-CE	<input type="checkbox"/> Y	APRV-CSA	<input type="checkbox"/> Y
		APRV-UL	<input type="checkbox"/> Y

Parts List		
Part Number	Description	Quantity
SA108111	SA 36P183Z507	1.000 EA
AA009785	AA 36P183Z507	1.000 EA
HW3201A05	3/8-16 EYEBOLT	1.000 EA
19XM3118A08	5/16-18X1/2 HX HD ROLL FM#93882A578 MCMA	4.000 EA
36CB3000SP	CONDUIT BOX, CAST	1.000 EA
36GS1000SP	GASKET-CONDUIT BOX, .06 THICK #SV-330 LE	1.000 EA
51XB1016A07	10-16 X 7/16 HXWSSLD SERTYB	2.000 EA
11XW1032G06	10-32 X .38, TAPTITE II, HEX WSHR SLTD U	1.000 EA
HW3001B02	BRASS CUP WASHER W/GROUND SYMBOL TAB,	1.000 EA
36EP3402A03	SPL FR. E.P. MACH'G 36PM FOR (681P) STAC	1.000 EA
26XW1032A08	10-32 X 1/2 PHILLIPS HEAD TAPTITE-II (SI	4.000 EA
HW5100A06	W2420-025 WVY WSHR (WB)	1.000 EA
36EP1313A01	STD PU ENDPLATE #206 BRG 182-4C 36PM	1.000 EA
10XN2520A28	1/4-20X 1 3/4 HEX HD	4.000 EA
HW1001A25	LOCKWASHER 1/4, ZINC PLT .493 OD, .255 I	4.000 EA
36FN3000A01SP	EXFN, PLASTIC, 7.00 OD, .912 ID	1.000 EA
51XB1214A16	12-14X1.00 HXWSSLD SERTYB	1.000 EA
36FH5000A11	FAN COVER/TACH. ACC. ASSY.08 45823107	1.000 EA
51XW1032A06	10-32 X .38, TAPTITE II, HEX WSHR SLTD S	3.000 EA
35CB4514	35 LIPPED CB LID	1.000 EA
36GS1001A08	GASKET - CONDUIT BOX LID 36 FRAME	1.000 EA
51XW0832A07	8-32 X .44, TAPTITE II, HEX WSHR SLTD SE	4.000 EA
36CB4500SP	CONDUIT BOX LID, STAMPED	2.000 EA
36GS1001A08	GASKET - CONDUIT BOX LID 36 FRAME	2.000 EA

Parts List (continued)		
Part Number	Description	Quantity
51XW0832A07	8-32 X .44, TAPTITE II, HEX WSHR SLTD SE	8.000 EA
HW2501D13	KEY, 3/16 SQ X 1.375	1.000 EA
HA7000A01	KEY RETAINER 7/8" DIA SHAFT	1.000 EA
LB1115N	LABEL,LIFTING DEVICE (ON ROLLS)	1.000 EA
MG1000G27	MED CHARCOAL METALLIC GREY 400-0096	0.019 GA
85XU0409A04	4X1/4 U DRIVE PIN/85xu0407a04	2.000 EA
NP0891L	NP STD LASER ENGRAVED DC MTRS, UL CSA CE	1.000 EA
MG5010A01	TRICKLE VARNISH (PEDIGREE 600 S)	0.005 GA
MG5010Z01	488 (TPB) CATALYST	0.001 LB
36RK5009A01	ROCKERARM ASSY, GRADE E45	1.000 EA
WD1000D04	T&B C26M,NON-INS RING, 12-10 GA, #10 BOL	2.000 EA
HA3101A27	THRUBOLT 1/4-20 X 11.687 DEMBY	4.000 EA
LC0194	CONNECTION LABEL	1.000 EA
LB1119N	WARNING LABEL	1.000 EA
MN416A01	TAG-INSTAL-MAINT no wire (1200/bx) 5/18	1.000 EA
37PA1016	PKG GRP, PRINT PK1035A06	1.000 EA

Accessories		
Part Number	Description	Multiplier
TK3600PM	TACHO MOUNTING KIT FOR TK3600PM	A8

DC Motor Performance Data

Record # 311 - Typical performance - not guaranteed values

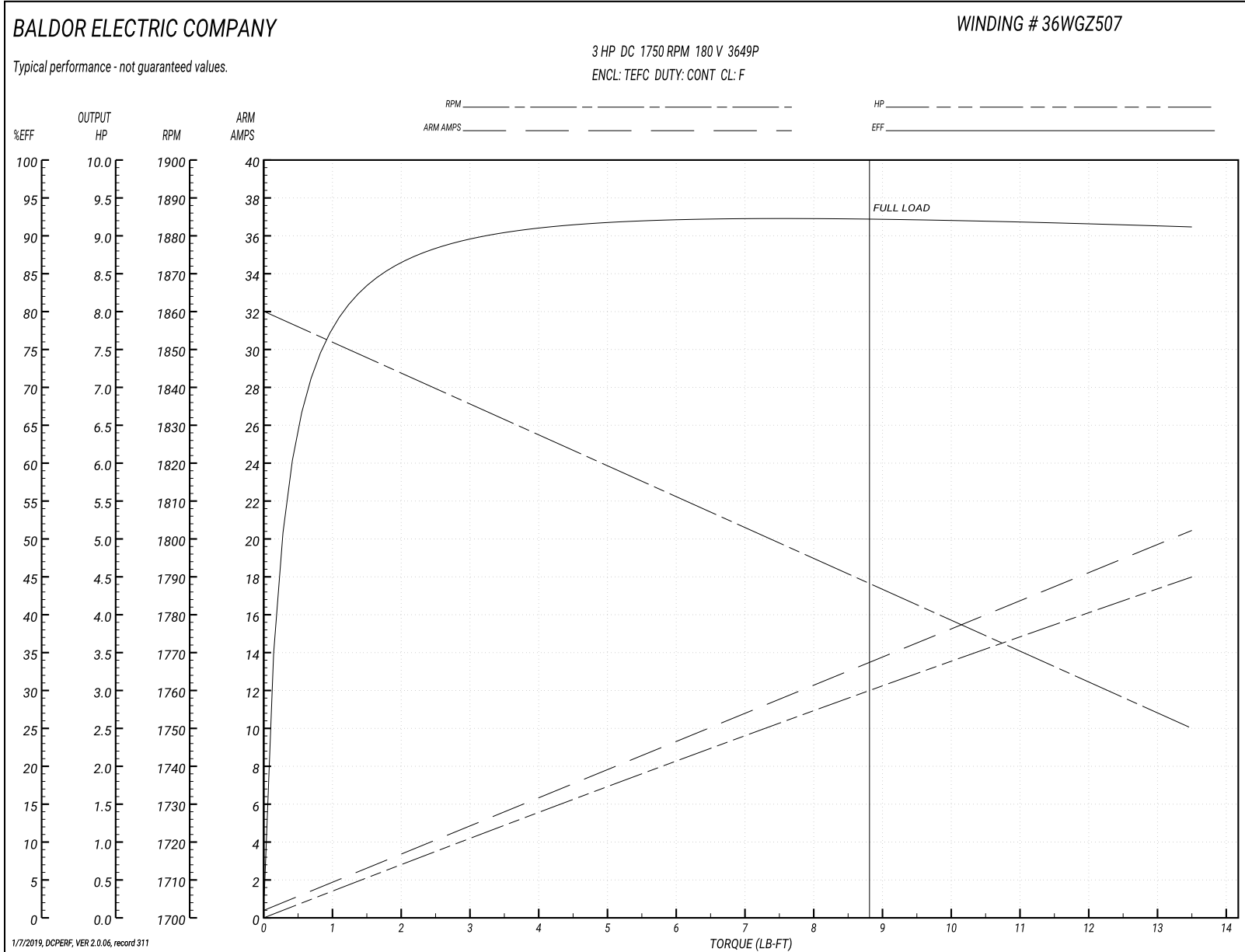
Winding: 36WGZ507-R001	Type: 3649P	Enclosure: TEFC
-------------------------------	--------------------	------------------------

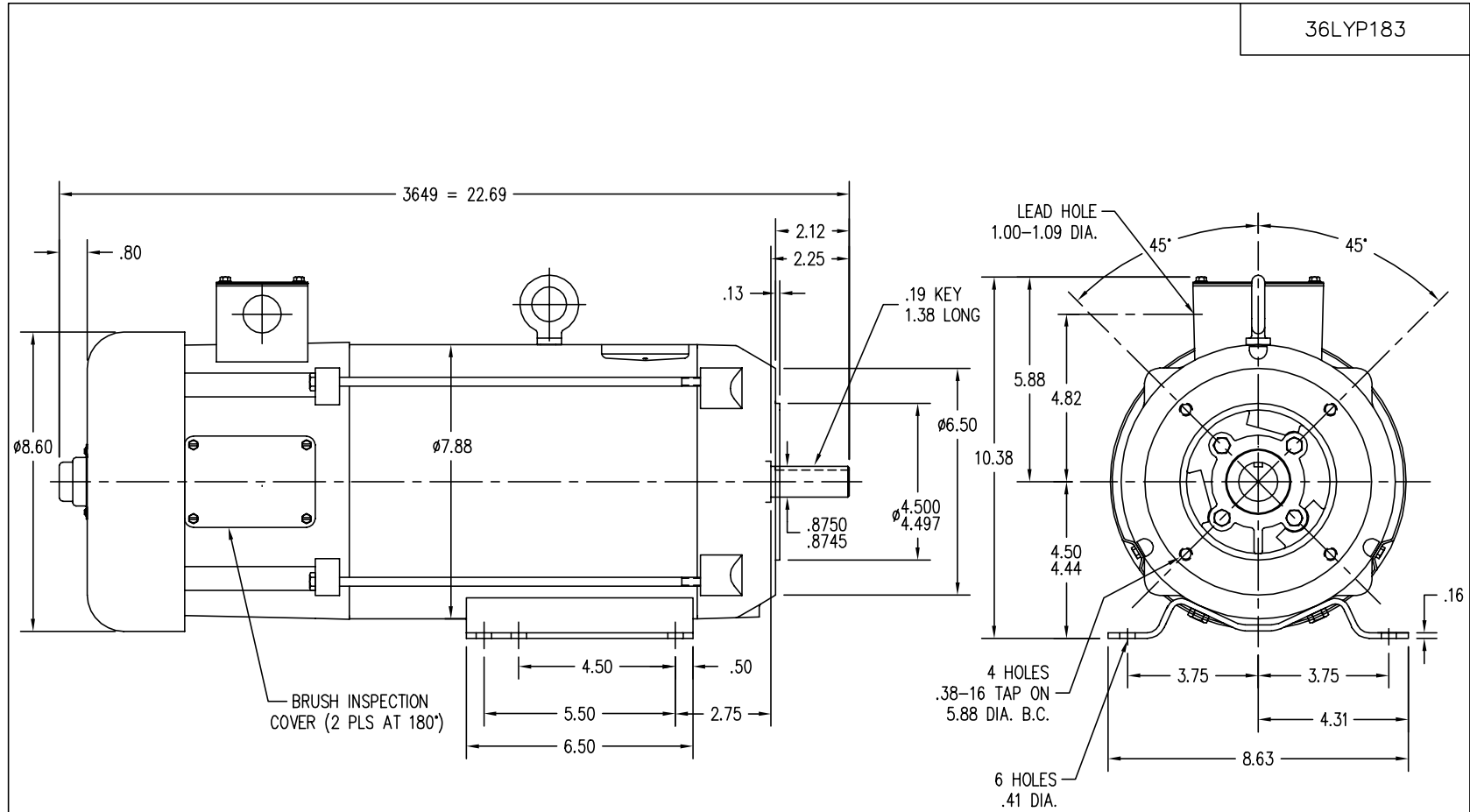
Nameplate Data		General Characteristics	
Rated Output (HP)	3	Armature Resistance @ 25°C	0.3209 Ω
R.P.M.	1750		
Armature Volts	180		
Armature Amps	14		
Field Volts			
Field Amps			
Rating - Duty	40C AMB-CONT		
Power Supply Code	K		

Load Characteristics at 180 Armature Volts

Load Point	1	2	3	4	5	6	7
Armature Amps	0.4	3.37	6.34	9.01	12.28	13.51	20.45
R.P.M.	1860	1844	1827	1813	1795	1788	1750
Torque (LB-FT)	0	2	4	5.8	8	8.83	13.5

Performance Graph at 180.0 Arm V, 3.0HP Typical performance - Not guaranteed values





CUSTOMER IS RESPONSIBLE FOR DETERMINING THAT MOTOR PERFORMANCE IS SUITABLE IN THE APPLICATION.

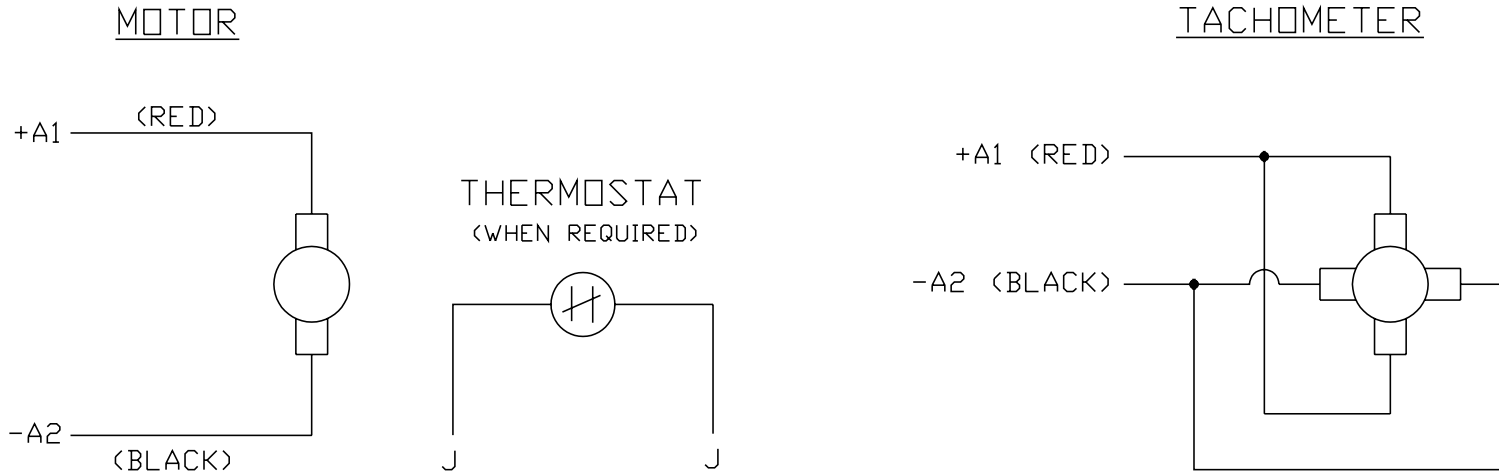
REV. DESC: NEW			
REV. LTR: -	BY: MAW	REVISED: 16:05:47 11/04/2003	TDR: 298991
36LYP183		FILE: AAA00105690	REF: 36LYP183
		MTL: -	

BALDOR ELECTRIC Co.

STD HORZ 36P NEMA 182-4C TEFC 2 POLE W/M.F.T.K.

36LYP183

CD0194



NOTES:

1. CCW ROTATION AS SHOWN FACING COMMUTATOR END. TO REVERSE MOTOR ROTATION OR TACHOMETER OUTPUT POLARITY INTERCHANGE LEADS A1(RED) & A2(BLACK)
2. LEAD COLORS FOR REFERENCE ONLY & NOT SPECIFIED BY THIS DRAWING. LEAD COLORS SPECIFIED BY LAYOUT DRAWING & BILL OF MATERIAL ONLY.

MATL: -			
REV: E	ADDED NOTE "LEAD COLORS FOR REFERENCE ONLY &..."		
CD0194	SCALE: -	BY: CK	REVISED: 07/28/95
	FILE: AAA00004503		TDR: 0078737

BALDOR ELECTRIC Co.

CD TYPE P DC PERMANENT MAGNET MOTORS AND TACHOMETERS

CD0194